
Bertazzoni Professional Series
Bertazzoni Modern Series
Bertazzoni Master Series
Bertazzoni Heritage Series

WORLD



Introduction	2	Colours and finishes	54
The starting point		Automotive paint	
		Metals	
Bertazzoni way	4	Enamels	
Family roots		Texture paint	
Precision engineering			
At the heart of it all			
		Products	68
Bertazzoni philosophy	12	Built-in ovens	
Place, pride and purpose		Built-in hobs	
Food for thought		Cookers	
		Ventilation	
Design series	18	Refrigerators	
Professional Series		Dishwashers	
Modern Series			
Master Series			
Heritage Series			

The starting point

Since Bertazzoni was founded in 1882, the company has always understood that the kitchen is at the heart of family life. Our cooking appliances have always been designed to help people bring the best home-cooked food to the family table.

Bertazzoni has built its reputation on considered design, outstanding engineering and a deep passion for food. Today, the Bertazzoni approach continues in the spirit of innovation that has run through six generations. This year, we are excited to introduce extensive updates to our Range Cookers, our new dishwasher platform and refrigerator models, along with new induction tops and a stylish new finish – Carbonio.

Whatever your preferred style of cooking, Bertazzoni appliances will help you prepare and serve food with precision, flair and flavour – today, tomorrow and beyond.



Bertazzoni way



Family roots

How did all began? The latest Bertazzoni products with their advanced technology are part of a continuous story that began, as many do, with a journey, over 140 years ago, back in the 19th Century, Francesco Bertazzoni and his son Antonio made precision weighing machines for the local cheesemakers in Emilia-Romagna, Northern Italy. Watching the trains coming in to Guastalla from Germany and Austria, they noticed the railcars were heated by a new type of wood-burning stove; a stove that cooked for the train crew, as well as heating the carriage.

This innovation appealed to Francesco – it spoke both to his entrepreneurial instincts as well as to his love of food and family.

“Always be true to yourself and to your own values.”

Family. Food. Engineering. These three ideas came together in the mind of Francesco and they have passed down through the six Bertazzoni generations that have followed almost a century and a half later. Today those three words define the Bertazzoni brand.

Inspired by his discovery of the railway stove, Francesco and his son Antonio set about adapting it to their own purposes. They began producing cooking stoves for local use around Guastalla where they had their workshop but soon their stoves were being sold throughout Italy. In 1909, the next generation headed by Napoleone Bertazzoni, built a new factory next to the railway station.

It was a reminder of the birthplace of Francesco's original idea, with perfect access to the transport system that could carry Bertazzoni stoves even farther afield. Francesco branded Bertazzoni's flagship stove "La Germania" in recognition of its inspiration in the railway stoves that travelled to Guastalla from Germany. As Bertazzoni's fame spread, the company began to win awards for the quality of its product design.

“La cucina piccola fa la casa grande.”
“A little kitchen makes a large home.”

Innovation was key to Napoleone, who introduced mass production techniques he learned from the region's growing car-making industry. After his death in 1939, his widow Angela continued to operate the factory at a high level. As well as wood-burning models, electricity and dual fuel ranges were soon added. The company's direction was now well-established, but of course, there were many more innovations and developments along the way.

In the 1950s, Bertazzoni manufactured its first gas stoves. The 1960s saw the first exports, spurred by the appeal of the cookers' design and engineering. In the 1970s, electric stoves were added to the range and induction hobs in 2005. By the turn of the 21st Century, Bertazzoni was selling its range cookers in more than 60 countries worldwide. In 2005, Bertazzoni exported its renowned cookers to the USA and Canada for the first time. With international alliances and a growing network of dealers, Bertazzoni has become a global brand that is still proud of, and rooted in, its local family home in Italy. It is a brand with cooking at its heart, offering complete, co-ordinated kitchens for homeowners all over the world.

In 2022, to celebrate the anniversary of the founding of Bertazzoni, the company is introducing hundreds of new cooking and cooling products to the European market, as well as investing 15 million Euros in product innovation and further development of international markets.

140 years on, we like to think Francesco Bertazzoni would be very proud of his family's achievements.

Antonio Bertazzoni



Bertazzoni was an early entrant into automated production through its modern factory

CUCINE "LA GERMANIA"

Le nostre cucine sono costruite con materiali di primo ordine e garantite di perfetto funzionamento.

in ogni casa

REG. BERTAZZONI
CUCINE "LA GERMANIA"
CASA FONDATA
GUASTALLA

DATA NEL 1888

In vendita presso i migliori negozianti - Rappres. Generale per il Piemonte: Corso Ciriè N. 17 - Telefono 23-779



Precision engineering

With its roots in manufacturing appliances to get the most enjoyment from food, Bertazzoni's soul lives and thrives in the heart of the home – the kitchen.

For Italians, there is a natural fusion of design and engineering. Innovative engineering lets you produce products that function perfectly. Combined with our inborn affinity to engineering's close ally – design – Bertazzoni products are also distinct in style and elegance. In essence, form and function become one.

“We don't start with the aesthetics but we end with it.”

Bertazzoni has always led the way in production technology, applying the most modern methods to its manufacturing at every stage of the company's evolution. In Italy, production has quadrupled at its high-tech factories since 1998. But nothing stands still. A bigger plant at the company's home in Guastalla, using the very latest technology, is now meeting demand for Bertazzoni products on a global stage.

The engineering and craftsmanship that make it possible to create great kitchen appliances is deep-rooted in the Emilia-Romagna region. Around Guastalla, in the world-famous cities like Turin, Bologna and Milan, you will find renowned industrial companies that make iconic cars and motorbikes; and other world-leading companies in food processing, agricultural machinery, automotive, hydraulic, construction and ceramic machinery. Alfa Romeo, Ducati, Lamborghini, Ferrari. Iconic, almost poetic names, representing powerful and stylish machines that are engineered for excellence, honed and developed through the toughest competition in the world. Bertazzoni takes its inspiration from them.

As a result, Bertazzoni stands for a clear and desirable promise that springs from this tradition of excellence. It gives our customers the means to create beautiful food and an aspirational home ambiance by using appliances crafted with precision engineering and thoughtful design.

It's a philosophy and an approach that is always rooted in family, as are our customers. It is based on knowing, deep down, that cooking brings families together and recognising that quality products help achieve that aim. We believe it is an Italian art the world truly appreciates.



At the heart of it all

If the kitchen is the heart of every home, it is equally true that food is at the heart of every kitchen. Bertazzoni's home is in the Po Valley in the north of Italy, in the Emilia-Romagna region. Known as Italy's breadbasket since Roman times, it is steeped in the ingredients and recipes that have made Italian cooking famous worldwide.

Here you will find Parmigiano Reggiano (Parmesan cheese), prosciutto di Parma (Parma ham), mortadella sausage, cured meats and salamis, Balsamico di Modena (Balsamic vinegar), Lambrusco, Sangiovese and Trebbiano wines, and many types of pasta with local origins – tagliatelle, tortellini and ravioli, to name just a few.

All these distinctive Italian foods are made possible by the agricultural abundance that surrounds us. The Po Valley is a wide fertile plain with rich soil that nurtures all the essential ingredients – grains and grasslands, fruit from the orchards, vegetables of all kinds. So there is wheat for pasta, rice for risotto and corn for polenta. There is plentiful grazing for pork, beef, veal, poultry and game. Along with milk, butter and cheese. Porcini, nuts, truffles from the woods. Peaches, pears, cherries, quince and, of course, Italian tomatoes, bursting with flavour. In short, all the ingredients you need for the perfect meal.

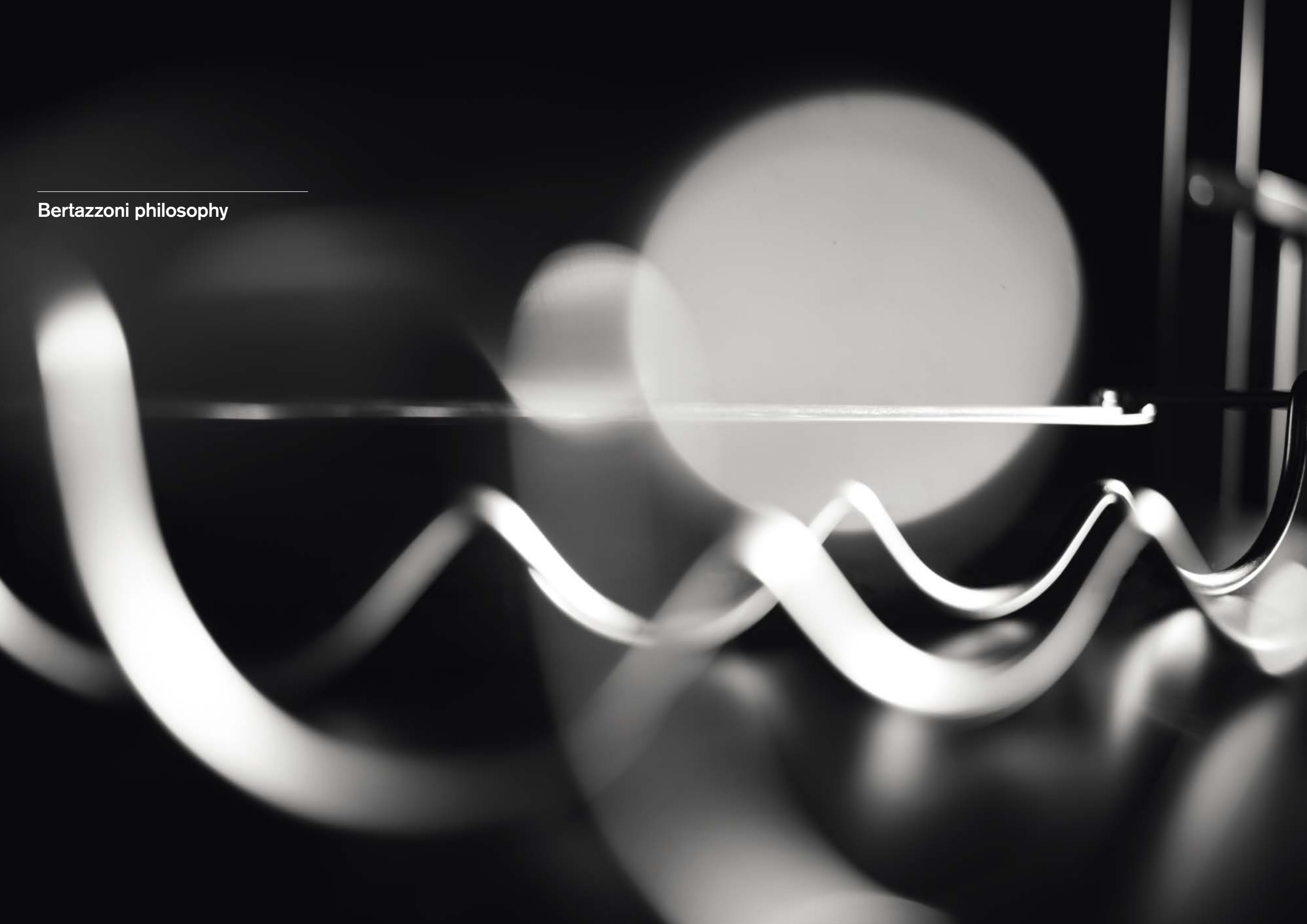
“Here all around us we have growing naturally all the ingredients of a great Italian meal. This is the food that makes us who we are.”



Vineyard in Emilia-Romagna



Bertazzoni philosophy



Place, pride and purpose

Bertazzoni is proud to be the world's oldest family-owned appliance manufacturer, built on over 140 years of innovation. But with pride comes deep responsibility. As the business has passed from generation to generation, family members have continued to be conscious of their responsibilities, not only to the beautiful land they live in but also to the people who live there today and those who will come after them.

Bertazzoni recognises its roots in Guastalla and Emilia-Romagna run deep. The prosperity of the town and our region is close to the hearts of everyone who works with us. We are deeply committed to nurturing our close-knit community and developing where we live and work for the benefit of everyone. In particular, Bertazzoni continues to invest to create opportunities for young people, encouraging them to stay in the region by giving them a deep sense of place, pride and purpose.

“We have a deep belief in beautiful cooking to bind families and friends together – and a sincere respect for nature and its products that we wish to be enjoyed by all those who follow after us.”

Paolo Bertazzoni, CEO



Food for thought

The three ‘pillars’ – family, food, engineering – are integral to everything Bertazzoni does. We thought the most natural way to explore and explain them would be over a family meal cooked on Bertazzoni appliances. The writer John Simmons was there to record the conversation.

Tommaso is a chef whose every movement demonstrates commitment to beautiful cooking. There is something unconsciously balletic in the way he handles ingredients for the food he prepares. Delicious food – simply made – brings this family and this business together in conversation. I'm interested in the relationship of family and business: how do they relate to each other? "I've always lived the company as part of the family," answers Paolo Bertazzoni. "It was natural. My father Francesco brought me to the factory as a boy in short trousers – it gave me great pride as a boy.

"You must say Buongiorno to everyone" he insisted. I still feel it is an honor to be part of this company."

“In the end we all go back to the same values: a devotion to food and family, creating beautiful products that add to wellbeing”

His sister Elisabetta, who has shared the big decisions with him, says: "We learnt early to respect the company and its values – they were also our family values. We knew



we had to work with humility, to take great care in all we do, to work together for the good health of the business."

There is a deep sense of responsibility that you feel in their words. The responsibility extends beyond the family to all the people who work with Bertazzoni. "We know them," says Paolo. "We feel a connection to the past and the future. That's why each generation tries to do better than the previous generation."

For all these family members, the values and the primacy of the company have been instilled from their early years. Paolo, now chief executive, worked in the humblest positions to understand the company and to demonstrate that his family did not assume any automatic superiority. His son Nicola and daughter Valentina were encouraged to exercise their own freedom, without pressure to join the business. They studied, learnt skills, opted to come back and to apply those skills to benefit the company and its wider community.

"Everyone could follow their own inclinations," says Valentina. "I loved art and design, as well as maths – so I studied architecture and ran my own practice. But it seemed natural to come into the business at a time when it was changing, when the products and brand were moving onto another stage of evolution. Because it was all about values, making sure they are consistent between family and business, between marketing and products, to be authentic. Interpreting the present, building on the past, but looking to the future."

"Our roots are the Italian family and the family is based around food," observes Nicola. "The heart of an Italian home is the kitchen. But the vital ingredient of our heritage, to make it really powerful,



mission is to make people happier by making products that bring joy to their lives."

“Everything comes together so that everyone can come together”

is engineering. We apply design and technology to deliver what our end-users want in their kitchens. It all depends on making sure our appliances work brilliantly in all environments – that is our obsession."

It's refreshing to hear these family members express their commitment and to do so in ways that connect with the real lives of the people who use their machines. Each of them might have spoken the following words because they come from the Bertazzoni heart: "In a life that gets more complicated, we aim to make things easier. We know that will make people happier. Because food is such a human need, there is universal pleasure in the making and sharing of food."

"It's our mission to make kitchen appliances that function perfectly for the lives of our Bertazzoni owners. By making beautiful products we feed their eyes, brains and hearts, and we give pleasure. Our deeper



Design series



The complete kitchen

Bertazzoni believes a beautiful kitchen should not only look good, it should also work supremely well.

For 140 years, every design detail and engineering innovation in Bertazzoni's distinctive cooking appliances have enhanced your kitchen and your cooking experience. This approach embraces the entire kitchen, with cooking at its heart and other appliances fitting seamlessly around this fundamental need. Everything you need to create a high performance Bertazzoni kitchen is here including refrigerators, dishwashers and ventilation systems, all available in matching styles.

This is innovation with purpose. Bertazzoni's engineers advance technology and engineering by rethinking every aspect from the user's point of view. This means considering everything from the customers' perspective and how they wish to use their kitchens.

Built on a deep tradition of craftsmanship and engineering know-how, Bertazzoni best-in-class technology and unique aesthetic features come together to offer even greater usability.

All are designed to help create the complete kitchen – not only in function but also through beautifully co-ordinated design. You can also add a personalised finishing touch with the new Collezione Metalli Décor sets. These feature striking handle designs and control knobs made with real gold, copper and nickel.

In the following pages, you can explore the complete kitchen in practice with the Professional, Modern, Master and Heritage Series.

The result is a new generation of appliances across the Series, with new range cookers, exceptional refrigerators and new hoods.



Professional Series

Bringing professional styling and performance home

The award-winning Professional Series offers a modern fusion of exceptional engineering, confident design and the latest technology. The Series combines an innovative approach to form and function with distinctive and desirable styling. The iconic look features clean and clearly defined lines, elegant control knobs, ergonomic handles and sophisticated colour choices.



The co-ordinated Professional kitchen

The Professional Series appliances are designed to co-ordinate seamlessly and easily across the entire kitchen suite, balancing built-in elements with freestanding ranges. You can integrate a wide choice of state-of-the-art technology to create a versatile, flexible, fully-integrated kitchen suite.



The perfect appliance for all your needs

The complete Professional Series kitchen suite offers best-in-class capacity, flexibility and usability in its freestanding ranges and built-in ovens, rangetops and hobs, fridges, dishwashers, ventilation systems. To celebrate Bertazzoni's 140th anniversary, the versatile Professional Series freestanding range cookers, refrigerators and hoods have all been updated, refreshed and restyled to perfectly match the full suite of Professional Series built-in appliances. The style of all the appliances perfectly captures the essence of the Series, adding a confident, contemporary edge to any kitchen.





Modern Series

Contemporary elegance, timeless style

With its range of built-in machines the Modern Series tells a very Italian story of design and style. Combining glass and precious metals, the Series is crafted by many years of knowledge and passion that have made the Bertazzoni approach an art as much as a science.



The co-ordinated Modern kitchen

The perfect solution for sophisticated kitchen design, the Modern Series look is both contemporary and timeless. Clean lines, matching handles and elegant controls combine to create seamless integration, with modern Italian style and advanced functionality. The Modern Series has the potential to transform the way your kitchen looks as well as the way you cook.



Form and function combined

The Modern Series offers a range built-in and speciality ovens, hobs with metal or glass bases, induction hobs, hoods, refrigerators and dishwashers. Designed to work in complete harmony, the ovens feature black glass handles that blend perfectly with the oven window for a sleek, clean look.

Total precision is built-in with a choice of control knobs with soft-touch ergonomic black finish or a smart stainless steel finish for positive and precise temperature control. The most advanced models feature a hi-res full touch TFT display for a clean look with exceptional flexibility and control.





Master Series

Beautifully elegant and exceptionally efficient

The Master Series has a style that's all its own, with a sophisticated monochrome colour palette that turns your kitchen into a work of art. It blends the best of commercial kitchen-inspired style with advanced technology and fine Italian design.



The co-ordinated Master kitchen

As well as being supremely practical, the Master Series has a sleek modern look that is co-ordinated across every appliance to create the perfect contemporary kitchen. Stainless steel and black finishes accentuate the confident style, along with new design updates to the Series that add depth and strength to its signature look. New design highlights included larger, confident metal control knobs and a bolder handle design for exceptional usability and durability.



Practical, elegant and versatile

The Master Series features a choice of freestanding range cookers. Add hoods, refrigeration and dishwashers to create a bold, practical and elegant kitchen that is perfect for your needs. The Master Series range cookers, portfolio of refrigerators and hoods have been restyled and updated for a streamlined look that works seamlessly with every appliance in the Series.

Highlights include the new design of the classic Bertazzoni temperature gauge, which has been beautifully refined. Inspired by automotive dials, it is also reminiscent of an elegant and sophisticated watch face. The new Master Series hood subtly blends the style of the Series with a strong commercial influence to make a powerful design statement in your kitchen.





Heritage Series

Authentic style and 21st Century innovation

The magnificent Heritage Series is built around the traditional style of the cooking ranges Napoleone Bertazzoni would recognise from the late 19th Century. Designed for the 21st Century, these modern classics are driven by innovation and engineering, with full respect to Bertazzoni's heritage. We are proud to recognise and celebrate our past in the exclusive "Bertazzoni Serie Limitata" serial number plate that features on each freestanding range.



The co-ordinated Heritage kitchen

Bringing a classic look to modern kitchen design, its iconic lines make this Series feel at home in any kitchen as a contrasting design statement or an era-inspiring centre piece. This warm and welcoming classic design language translates across freestanding ranges, refrigerators, hoods and dishwashers.

The Series can also be personalised with the sophisticated Collezione Metalli Décor sets in gold, copper and nickel.



Heritage, reimagined

Deeply rooted in the design DNA of the Bertazzoni brand, the Heritage Series range cookers, refrigerators and hoods have been reimagined and refined in celebration of the company's 140th anniversary.

New design features enhance the look of the Series with bright chrome knobs, handles and trims and striking paint finishes. Heritage range cookers are now available in the striking new Avorio colour. These ranges also feature an updated version of the classic Bertazzoni temperature gauge that feels like an elegant and sophisticated watch face. Every new Heritage range cooker features an exclusive "Bertazzoni Serie Limitata" serial number plate, making each piece unique. The new refrigerators and hoods co-ordinate seamlessly to create a striking visual statement throughout your entire kitchen.





Colours and finishes





Artisanal inspiration

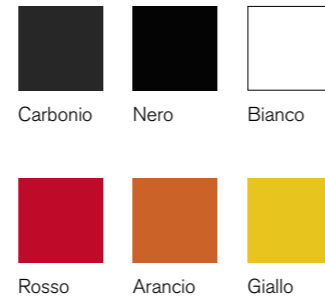
Bertazzoni prides itself on bringing together industrial production methods and engineering skills with Italian design flair. This thinking led our designers and engineers to create our four new special finishes inspired by the pinnacle of Italian craftsmanship.

Each Bertazzoni appliance is an elegant combination of form and function, technology and inimitable style. These special finishes take these ideas to a new level. Inspired by the flawless paintwork found on beautiful Italian sports cars, the metalwork and powder-coated finishes created by the artisans of Italy and the traditional enamel finishes of Bertazzoni's original stoves. Each finish is matched with different Series to complete a sophisticated and instantly recognisable look. Whichever Series and finish you choose, it will bring a unique touch to the look and style of your kitchen.

Automotive paint

When Bertazzoni's designers decided to bring vibrant colour to the Professional Series they found inspiration in the Emilia-Romagna region – the landscape, the fruit and vegetables, the light of the sun and the moon. Transferring these natural colours to our Professional Series freestanding cookers demanded an added level of applied science. Northern Italy's sports car manufacturers have perfected ways to apply colours to metal that are both breath taking and resilient. Partnering with them, they've applied this unique finish and colours to Bertazzoni appliances. Highly-skilled craftsmen apply multiple layers of colour by hand. The result is hard-wearing, resistant to acids and temperature corrosion.

It is available in 5 high-gloss colours – Nero, Bianco, Giallo, Arancio, Rosso, plus a special new colour - Carbonio. As well as being very beautiful, these colours are also very durable, stain and fade resistant.



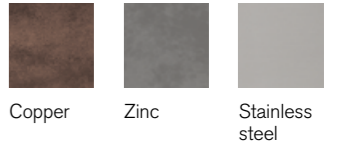
Metals

Italy is renowned for its artisan metalworkers, famed for their attention to detail and perfect finishes. Bertazzoni's new special metallic finishes take their inspiration from these artisans and apply the techniques and quality, refined over many years, to our machines. These finishes are used to coat the decorative elements of the ovens, using real metal to create a striking and durable surface. Available in a choice of copper and zinc, these colors are applied by hand by skilled craftsmen to the decorative elements of these ovens. It creates an opulent, precious finish that brings a subtle and refined finishing touch to any contemporary kitchen. The process is painstaking and time-consuming, requiring deep expertise

and a fine attention to detail. As every aspect of the process is made by hand in the traditional way, no two ovens are exactly alike.

They are as unique and individual as pieces of fine art, displaying the hand and skill of the makers in beautiful Zinc and Copper.

The metal palette is completed by stainless steel. This signature finish is a symbol of Bertazzoni's knowhow and engineering expertise. We select the best stainless and prepare the surface with delicate brushing to create a bright and sophisticated finish – perfect for timeless elegance in any kitchen.



Copper

Zinc

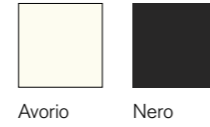
Stainless steel



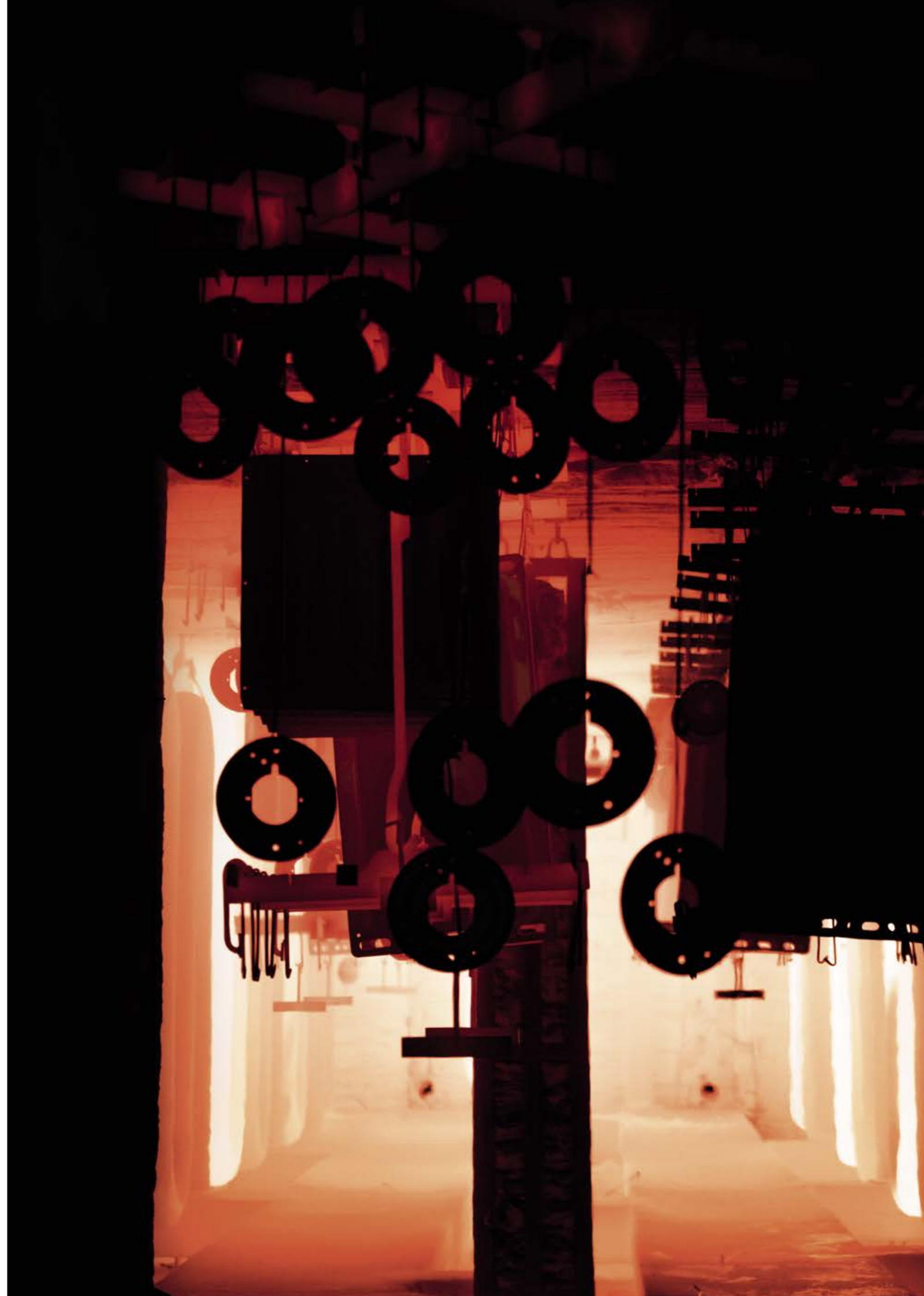
Enamels

Available on the new Heritage Series built-in product this finish was inspired by the original wood-burning stoves that Antonio and Napoleone Bertazzoni built in the 1930s. The enamelling process creates a very durable finish that also makes cooking surfaces easy-to-clean. Avorio is the signature color of the new Heritage Series range cookers, hobs and ovens.

The instantly recognizable 1930s look is completed by carefully considered stainless steel and chromed details. In the built-in hobs and ovens, you can also choose the color of the metal highlights in stainless steel and bright chrome or warm copper.



A selection of hobs is also available in Nero enamel to match all other black appliances in the Series or to sit seamlessly against countertops in darker colors.



Texture paint

The classic, elegant finish of our Texture paint brings a sophisticated and pleasing look to your kitchen. Powder coating is one of the most popular processes used to protect metal, especially for kitchen appliances. It is particularly suited to creating stunning matt finishes. Bertazzoni use this process to create the rich, deep Nero color on the Master Series and Heritage Series range cookers.

This finish is also very practical, durable and stain and scratch resistant. The process uses pigmented powder made from resins and other materials, which is applied electrostatically and then cured at extremely high temperatures. As it heats, it flows to form a "skin". This skin creates an exceptionally hard finish that is much tougher than conventional paint.



Nero matt



Enhanced by heritage

Collezione Metalli for Bertazzoni Heritage Series

The Heritage Series proudly celebrates Bertazzoni's illustrious past with an eye to the future. Defined by the traditional look of the original wood burning stoves and ranges that Napoleone Bertazzoni would have recognised back in the early 1900s, they feature innovative 21st Century cooking technology and signature Bertazzoni engineering.

Now you can add an exquisite personal touch to your Heritage Series appliances with the new Collezione Metalli.

Inspired by centuries of Italian craftsmanship

The reputation of Italy's gold and silversmiths has remained unrivalled for hundreds of years. Founded on the skills and closely-guarded secrets of the medieval guilds, today's extraordinary jewellery is enhanced by a combination of innovative technology and traditional craftsmanship.

An elegant finishing touch

The new Collezione Metalli adds decorative details to enhance your Heritage Series range, hood, dishwasher or fridge. These special finishes are created with real gold, real copper and black nickel, adding a precious, sophisticated finishing touch.

Each finish is specially treated to protect them from the wear and tear of kitchen life, so they will stay in perfect condition. Each finish enhances the elegant design details on your Bertazzoni Heritage Series appliances – from the control knobs to the finials on the door handles.

Each finish comes in two sets that you can buy with your appliance or later. They are simple to install at home, with no special tools or engineer visit needed.




Gold-plated (high shine)



Copper-plated (high shine)



Black Nickel-plated (matt finish)



Products

Built-in Ovens

The Bertazzoni line up of built-in ovens is designed to help you create a consistent style and performance throughout your kitchen. Every built-in full-size electric, combi-microwave and combi-steam oven is engineered to deliver better performance and flexibility than ever before. They are styled to harmonise perfectly across the Professional, Modern and Heritage Series. The perfect alignment of all vertical and horizontal lines, user interfaces and displays, handles and control knobs works with any combination of models to fit your kitchen ambience and your cooking style.

In this section

- Steam Ovens
- Multi-function Electric Ovens
- Microwave Ovens and Warming Drawers



Steam Ovens

Steam cooking offers healthier ways to cook your favourite dishes. Bertazzoni convection steam ovens seal in nutrients, vitamins and minerals. As well as cooking vegetables, fish and meats quickly and efficiently, the results are healthy, retaining the texture and flavour of your food. Intuitive controls make them simple to set up and manage. They are also very easy to clean, with Pyrolytic and Hydro Clean Functions. All models are A ++ rated for efficient energy consumption.

60cm Total Steam
Professional Series
Modern Series
Heritage Series



60x45 Combi Steam
Professional Series
Modern Series
Heritage Series



Easy co-ordination

These steam ovens are designed to co-ordinate easily with the other appliances in the Series, with matching handles and control knobs

Cook like a pro with Bertazzoni Assistant

Achieve great results every time, with no stress, with precise sequence of cooking functions, temperature and timing handles and control knobs

Effortless cleaning

Anti-fingerprint treatment on the stainless steel exterior makes cleaning as simple as the wipe of a damp cloth

Telescopic glides

The positive, smooth action makes it safer and easier to move hot dishes in and out of the oven

Performance and versatility

The 76 litre cavity with 5 levels has space even the largest dishes

Water Tank

The water tank is hidden behind the control panel. For your safety, it opens automatically and can be removed without opening the oven door

Control and monitor every moment

Digital sensors and the Food Probe monitor and control cooking temperatures and times for complete accuracy

New large panorama window

Combined with twin lateral lighting, you always have a clear view of all 5 cooking levels

Quadruple glass door

The insulated cool-touch door helps avoid accidents. It is also easy to remove for cleaning



Steam Ovens

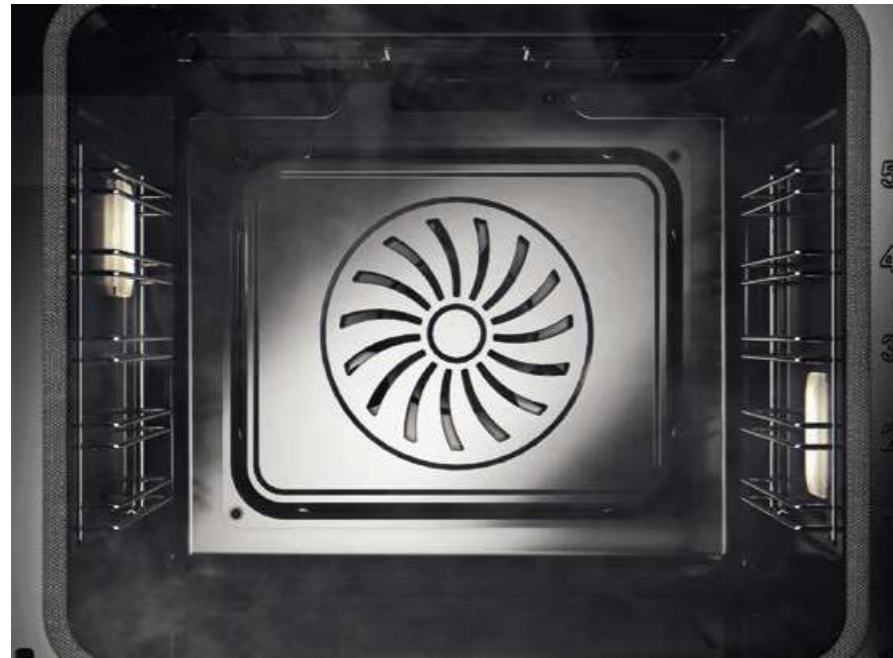
Full steam for health

Steam cooking keeps the colour, taste and consistency of vegetables and fish perfectly, maintaining moisture and enhancing flavours, without oil, butter or fat. In vegetables, important nutrients are preserved including folic and ascorbic acids, chlorophyll and vitamins C, B, E, K. In fish, it also retains more iron, calcium, zinc and proteins, as well as OMEGA.



Easy top up and cleaning

In the full-sized 60x60cm Total Steam ovens, the removable water tank is concealed seamlessly behind the push-pull control panel. It is simple to safely refill the tank without opening the oven door without interrupting the cooking programme. The extra-large 76 litre cavity is easy to clean with Pyrolytic or Hydro Cleaning functions. Rated A++ for optimal energy consumption.



Electric performance

Bertazzoni steam ovens are also engineered to perform to the highest standards in traditional cooking modes. This makes them perfect for baking cakes and other recipes that do not require steam. With a 76 litre cavity and 5 levels, there is plenty of space for large dishes. The extra-large convection fan system offers even heat distribution and consistent results. The easy-to-operate TFT or LCD interfaces with improved programme design for easy set-up.



Cleaning

Cleaning is simple, with three choices of programmes. The Pyrolytic programme deep cleans very dirty ovens in just 2 hours (selected models only). The Eco programme offers speedier cleaning of light grease and smaller spills. Hydro Clean uses the natural cleaning power of steam to remove grease and spills immediately after you've finished cooking. The stainless-steel exterior is also easy to keep clean thanks to the anti-fingerprint treatment.

Steam versatility

As well as being a healthy way to cook food, steam can do much more. It's the best way to keep food warm, working in the same way as covering food with foil in a standard oven. It can be used to sanitise jars for preserves and baby bottles. Steam makes fruit and vegetables easier to peel and it can help your bread rise for loaves that have crispy crusts but remain soft inside.



A powerful look

Coordinated design makes it simple to match these steam ovens to the rest of the Bertazzoni Series. Features include matching handles and control knobs, displays and panorama windows that align perfectly without compromise in vertical or horizontal layouts. The sleek Bertazzoni look is enhanced by the concealed water tank.

Multi-function Electric Ovens

Bertazzoni multi-function electric ovens feature extra-large cavities offer 76 litres of cooking space. An extra-large 90cm model is also available. Smart fan technology offers optimal heat distribution and faster heat-up times, with no heat shadows or hot spots. The Food Probe with digital thermostats adds another level of precision and control for even cooking of individual dishes. A choice of hydro and pyrolytic self-cleaning technology makes cleaning effortless. Rated up to A++ for energy saving, these models are designed for uncompromised vertical and horizontal alignment of all handles, controls and windows, so they fit seamlessly into your kitchen.

60x60cm oven
Professional Series
Modern Series
Heritage Series



Easy co-ordination

Matching handles and knobs co-ordinate with all appliances in each Series

Interfaces

Improved, user-friendly design makes setting up cooking programs simple

Cook like a pro with Bertazzoni Assistant

Achieve great, stress-free results every time with a precise sequence of cooking functions, temperature and timing

No-compromise layout

Perfect alignment of multiple oven combinations without compromise in vertical or horizontal layouts

Effortless cleaning

Anti-fingerprint treatment on the stainless steel exterior makes cleaning simple

New soft close hinge design

Makes the door easier and safer to open and close, especially when the oven is hot

Performance and versatility

With a 76 litre cavity, these ovens offer 5 levels and space for extra-large cookware

Control and monitor every moment

Digital sensors and the Food Probe monitor and control cooking temperatures and times for complete accuracy

Telescopic glides

Smooth glide action makes it easier and safer to move hot dishes in and out of the oven

New large panorama window and twin lateral lighting

Clear view of all five cooking levels

Multi-function Electric Ovens



A powerful new look

The Bertazzoni electric ovens feature a coordinated design for all Series. Design features include panorama windows, matching handles and knobs to co-ordinate easily with the other appliances, with multiple oven combinations aligning without compromise in vertical or horizontal layouts.



Performance and versatility

76 litre cavities and 5 levels with space for extra-large recipes allow cooking with no compromise. The extra-large convection fan system offers even heat distribution and consistent results every time. Easy-to-operate TFT or LCD interfaces with improved programme design for easy set-up.

Comfort in the kitchen

The innovative extra quiet cooling system features 2 fan speed settings to reduce airflow noise during cooking and cooling down. The quadruple glass window is cool touch for safety and insulated to keep your kitchen at a comfortable temperature.

Cook like a pro with Bertazzoni Assistant

The Bertazzoni Assistant's advanced technology manages a precise sequence of cooking functions, temperature and timing. Digital sensors and the Food Probe take away the guesswork, controlling and monitoring dishes for complete accuracy, so they are cooked to perfection with no added stress.



Control in performance

Selected models feature digital sensors for precision control for consistent temperature and even heat distribution. The TFT and LCD displays offers real-time feedback while the digital Food Probe monitors the temperature at the heart of dishes for precise results while you concentrate on preparing the rest of the meal.



Easy cleaning

Cleaning inside and out is effortless, with an anti-fingerprint treatment on the stainless-steel exterior. Inside, the pyrolysis setting cleans in 2 hours, burning off spills and grease. The Eco-Pyro setting is a shorter cycle for quick cleaning. Hydro Clean uses steam power to remove grease and food spills when you have finished cooking.



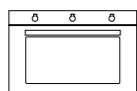
Gas Ovens

Available in two useful sizes, Bertazzoni built-in gas ovens offer all the control and benefits you would expect. Precise temperature makes it easy to cook fish or roast meat perfectly, crisp on the outside and juicy inside, with nutrients, texture and flavour all retained. The turnspit makes it even easier to cook the perfect roast joint or chicken. They are equally at home baking bread of all kinds, from sourdough to focaccia and perfect pizzas. Advanced Bertazzoni fan technology gives optimal heat distribution throughout the oven with fast heat-up times and no heat shadows or hot spots.

60x60cm gas oven
Professional Series
Modern Series
Heritage Series



90x60cm gas oven
Professional Series



No-compromise layout

Designed to align perfectly as part of a suite of multiple oven combinations with no compromise in vertical or horizontal layouts

Easy co-ordination

With matching handles and control knobs, these microwave ovens co-ordinate easily with all appliances in the Bertazzoni Series

Convection system

Fan technology designed to give even heat distribution for consistent results

Large window

Get a clear view of what is happening on all cooking levels with integrated lighting

Effortless cleaning

Wipe-clean anti-fingerprint treatment on the stainless steel exterior

Gas Ovens

A powerful look

Bertazzoni gas ovens feature coordinated design for each Series. The large panorama window and integrated lighting give a clear view of all five cooking levels however full the oven is. Other design features include matching handles and control knobs that co-ordinate with the other appliances in the Series. Align multiple oven combinations in perfect vertical or horizontal layouts.



Performance and versatility

With a 76 litre cavity, these 60x60cm ovens have 5 levels and space for extra-large dishes. Perfect for big family gatherings or special occasions, the extra-large convection fan system offers even heat distribution and consistent results every time. Fan-assisted mode gives even heat distribution for single and multi-level roasting and baking with no flavour crossover, while the non-convection mode is excellent for baking cakes.

Roast like a pro

There are 3 choices to create the perfect roast. Choose from the fan-assisted function with the heavy duty wire shelf. Or try the extra powerful gas grill for guaranteed crispness on the outside with juicy meat inside. Alternatively, the turnspit offers even cooking for joints and whole chickens.

Control in performance

Gas ovens reach high temperatures quickly, which seals food, making it crispy on the outside while retaining moisture inside. With 5 functions it is ideal for fish and roasting meat and temperature adjustments are instantaneous, which makes gas a very precise fuel to cook with.

Effortless cleaning

The anti-fingerprint treatment on the stainless steel exterior simply wipes clean. The oven cavity is finished with grey enamel with self-cleaning Pyrolytic lining. The oven tray has the same grey enamel finish. The inner door is removable to make cleaning simple.



Extra-large ovens

The 88 litre 90x60cm model is perfect for big families. It is also available in the same size with a fan-assisted gas oven with 5 functions. The cavity is finished in Pyrolytic grey enamel for easy self-cleaning. Other features include twin lateral lighting, metal coated knobs and anti-fingerprint stainless steel. Available as part of the Professional Series only, with a choice of stainless steel or black finish.

Choose your Style

These versatile ovens are available in the Professional Series and Modern Series in stainless steel. In the Heritage Series there is a choice of 4 colours and finishes: matt black, black décor, Ivory with chrome highlights and Ivory with copper highlights.



Microwave Ovens and Warming Drawers

Bertazzoni microwave oven options bring a range of benefits to your kitchen. They are fast and flexible, making it simple to cook many different dishes – everything from potatoes to popcorn. Their compact size means they fit easily into kitchens of all sizes. The Combi-microwave ovens let you choose between microwave only cooking, a combination of microwave and convection cooking or as traditional oven – it is like having 3 ovens in one. Bertazzoni warming drawers fit right into your kitchen design, with plenty of space to keep dishes of all sizes at serving temperature.

60x45cm oven
Professional Series
Modern Series
Heritage Series



60x38cm oven upside down
Modern Series



60x38cm oven
Professional Series



60x15cm warming drawers
Professional Series
Modern Series
Heritage Series



Precision control and monitoring

The large TFT display makes it easy to set and monitor dishes as you cook. Set your oven with control knobs or touch screen

Pre-set results

Get beautiful results every time with no stress using pre-set cooking functions, temperature and timing

No-compromise layout

Designed to align perfectly as part of a suite of multiple oven combinations with no compromise in vertical or horizontal layouts

Easy co-ordination

With matching handles and control knobs, these microwave ovens co-ordinate easily with all appliances in the Bertazzoni Series

Effortless cleaning

Wipe-clean anti-fingerprint treatment on the stainless steel exterior

Hygienic design

The stainless steel inner cavity makes cleaning simple. All accessories designed to be easy to clean

Convection system

Fan technology designed to give even heat distribution for consistent results in combi as well as traditional cooking programmes

Large window

Get a clear view of what is happening on all cooking levels with integrated lighting

Microwave Ovens and Warming Drawers

Combi-microwave oven

This versatile 7-function 60x45 cm combi-microwave is a multi-function electric oven and microwave oven in one. Large enough to cook for the whole family, it offers convection, regular or grill-heating modes. The microwave has five power levels and a boost function to significantly reduce cooking times. Precision controls include metal knobs and a TFT display or full touch. Co-ordinates with Professional, Modern and Heritage Series.



Build the perfect oven wall

Choose between regular convection ovens, combi-microwave ovens and combi-steam ovens to create the perfect setup for your cooking style. Add a warming drawer to keep dishes and food at the correct temperature, ready to serve. All Bertazzoni ovens install flush to adjacent cabinets and line up perfectly in vertical or horizontal configurations. Choose from Professional, Master and Heritage Series, and customise with colors and finishes to add the finishing touch to your perfect kitchen.

Co-ordinated design

These compact combi-microwave ovens feature a coordinated design with all the Bertazzoni Series. Matching handles, control knobs and TFT displays co-ordinate seamlessly with all these appliances. The large window and lighting make lets you check on your dishes easily, however full the oven is.

Warming Drawer

The Professional Series 60x12 cm warming drawer has a useful 25 kg capacity. It heats up rapidly and maintains a consistent temperature between 30-85° C to keep your food at the correct serving temperature. The soft-motion push/pull action sits on full extension glides to make it easy to move dishes in and out of the drawer. Available in stainless-steel and matt black.

Compact combi-microwave oven

This compact 60x38 cm model has a large 25 litre cavity. Control is simple, with LED display and push-pull control knobs. Cook or pre-set cooking modes and 5 power levels with automatic door-opening at the end of the programme. Inside, the stainless-steel cavity is easy to keep clean. The external finish is anti-fingerprint stainless steel.







Microwave

This Bertazzoni Professional Series 60x38cm oven has 3 functions with a generous 22 litre stainless-steel capacity cavity with two levels. Large enough to cook for the whole family, the microwave has 5 power levels mode. These combine with the traditional functions, with grill options. Two controls knobs and LED display make it easy to operate. Available in stainless steel and black glass.
















Steam Ovens

60		60x45
Professional Series		
		
F6011PROVPTX/23 total steam	F6011PROVTX total steam	F457PROVTX combi steam
X N	X N	X N
Modern Series		
		
F6011MODVPTX/23 total steam	F6011MODVTX total steam	F457MODVTX combi steam
X N Z C	X N Z C	X N Z C
Heritage Serie		
		
F6011HERVPTNE/23 total steam	F457HERVTNE combi steam	
NE AX AC	NE AX AC	






Gas Oven

60	90
Professional Series	
	
F605PROGKX	F905PROGKX gas fan assisted
X	X N
Modern Series	
	
F605MODGKXS	
X	
Heritage Series	
	
F605HERGKNE	
NE AX AC	




Electric Multifunction Ovens

60			
Professional Series			
			
F6011PROPTX/23 pyrolytic TFT display	F6011PROPLX/23 pyrolytic LCD display	F6011PROELX LCD display	F609PROESX LED display
X N	X N	X N	X
Modern Series			
			
F605PROEKX			
X N			
Modern Series			
			
F6011MODPTX/23 pyrolytic TFT display	F6011MODPLX/23 pyrolytic LCD display	F6011MODELX LCD display	F609MODESX LED display
X N Z C	X N Z C	X N Z C	X
Heritage Series			
			
F605MODEKX	F605MODEKXS		
X	X		
Heritage Series			
			
F609HEREKTNE thermometer	F605HEREKNE		
NE AX AC	NE AX AC		
76		90	
			
F30PROXT LCD display	F909PROEKX electric multifunction		
X	X N		

Microwaves Ovens

60x45	60x38
Professional Series	
 <p>F457PROMWTX combi microwave</p> <p>X N</p>	 <p>F457PROMWSX combi microwave</p> <p>X</p>
Modern Series	
 <p>F457MODMWTX combi microwave</p> <p>X N Z C</p>	 <p>F383MODMWSX combi microwave</p> <p>X N</p>
Heritage Series	
 <p>F457HERMWTNE combi microwave</p> <p>NE AX AC</p>	

**Warming Drawers
60x12**

Professional Series	Modern Series	Heritage Series
 <p>WD60PROX</p> <p>X N</p>	 <p>WD60X</p> <p>X N Z C</p>	 <p>WD60HERNE</p> <p>NE A</p>

Steam Ovens

Professional Series



F6011PROVPTX/23

60cm total steam, electric pyrolytic 11 functions, TFT display

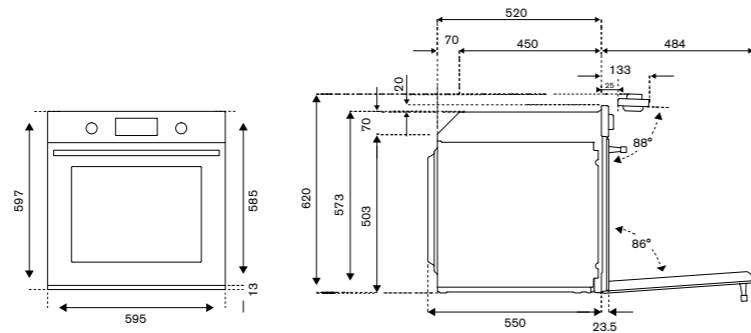
Features

- oven volume 76 L
- metal handle and knobs
- TFT display touch with Bertazzoni Assistant
- Hydro cleaning e Pyrolytic cleaning (with ECO function) system
- Total Steam and Steam Assist functions
- 1 heavy duty flat wire shelf, 1 sliding shelf
- 1 Enamelled Tray - 1 Enamelled Deep Tray - 1 Steam Tray Gastronorm 2/3 - 1 Trivet
- 2 lateral lights
- multisense food probe
- soft opening and closing door with quadruple glass
- oven temperature range 30°C-300°C

Oven Functions



Energy rating **A++**



Cabinet Measures W 560-570, H 580-585, D 565-580



F6011PROVPTN carbonio

Professional Series

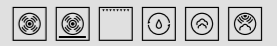
F457PROVTX

60x45cm combi steam, TFT display

Features

- oven volume 31 L
- metal handle and knobs
- 15 auto cooking modes
- 7 oven functions
- 1 wire shelf
- 1 stainless steel tray - 1 perforated tray
- 4 oven levels
- 1 oven light
- stainless steel cavity finishing
- soft opening door with double glass

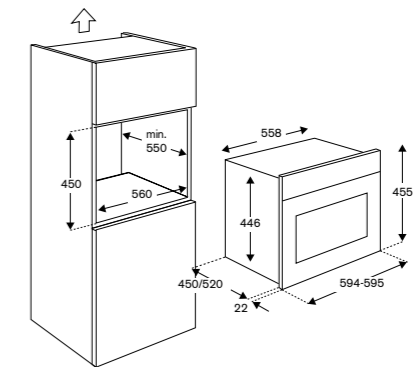
Oven Functions



Energy rating **A**



F457PROVTN carbonio



F6011PROVTX

60cm total steam, electric 11 functions, TFT display

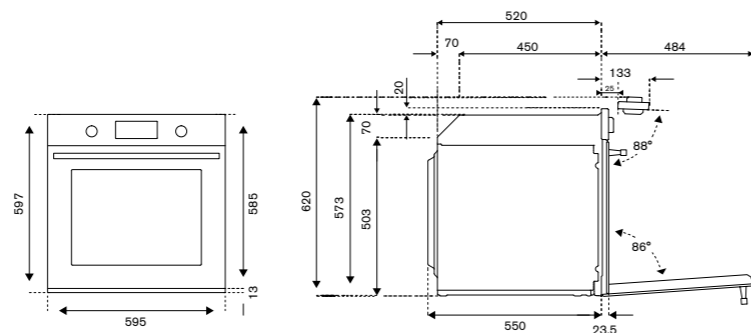
Features

- oven volume 76 L
- metal handle and knobs
- TFT display touch with Bertazzoni Assistant
- Hydro cleaning system
- Total Steam and Steam Assist functions
- 1 heavy duty flat wire shelf, 1 sliding shelf
- 1 Enamelled Tray - 1 Enamelled Deep Tray - 1 Steam Tray Gastronorm 2/3 - 1 Trivet
- 2 lateral lights
- multisense food probe
- soft opening and closing door with triple glass
- oven temperature range 30°C-300°C

Oven Functions



Energy rating **A++**



Cabinet Measures W 560-570, H 580-585, D 565-580



F6011PROVTN carbonio

Modern Series



F6011MODVPTX/23

60cm total steam, electric pyrolytic 11 functions, TFT display

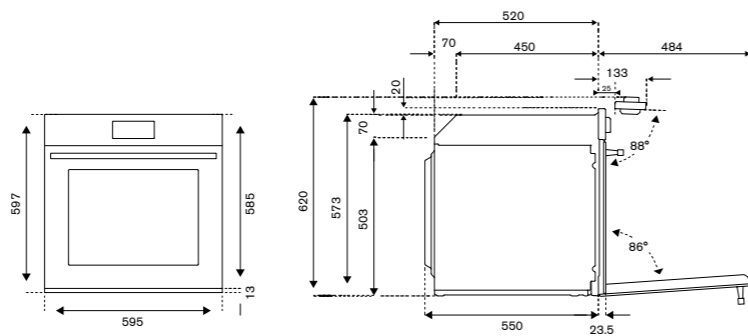
Features

- oven volume 76 L
- full touch with glass finishes handle
- TFT display touch with Bertazzoni Assistant
- Hydro cleaning e Pyrolytic cleaning (with ECO function) system
- Total Steam and Steam Assist functions
- 1 heavy duty flat wire shelf, 1 sliding shelf
- 1 Enamelled Tray - 1 Enamelled Deep Tray - 1 Steam Tray Gastronorm 2/3 - 1 Trivet
- 2 lateral lights
- multisense food probe
- soft opening and closing door with quadruple glass
- oven temperature range 30°C-300°C

Oven Functions



Energy rating **A++**



Cabinet Measures W 560-570, H 580-585, D 565-580



F6011MODVPTN
carbonio



F6011MODVPTZ
zinc



F6011MODVPTC
copper

Modern Series



F457MODVTX

60x45cm combi steam, TFT display

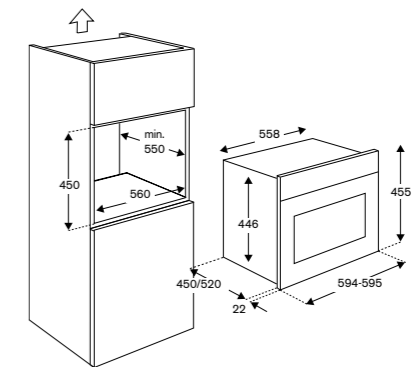
Features

- oven volume 31 L
- full touch with glass finishes handle
- 15 auto cooking modes
- 7 oven functions
- 1 wire shelf
- 1 stainless steel tray - 1 perforated tray
- 4 oven levels
- 1 oven light
- stainless steel cavity finishing
- soft opening door with double glass

Oven Functions



Energy rating **A**



F457MODVTN
carbonio



F457MODVTZ
zinc



F457MODVTC
copper

F6011MODVTX

60cm total steam, electric 11 functions, TFT display

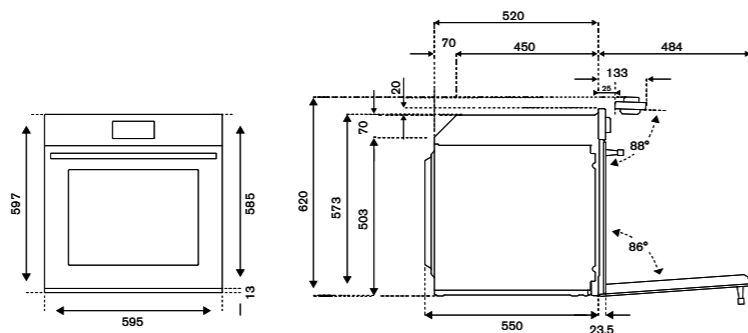
Features

- oven volume 76 L
- full touch with glass finishes handle
- TFT display touch with Bertazzoni Assistant
- Hydro cleaning system
- Total Steam and Steam Assist functions
- 1 heavy duty flat wire shelf, 1 sliding shelf
- 1 Enamelled Tray - 1 Enamelled Deep Tray - 1 Steam Tray Gastronorm 2/3 - 1 Trivet
- 2 lateral lights
- multisense food probe
- soft opening and closing door with triple glass
- oven temperature range 30°C-300°C

Oven Functions



Energy rating **A++**



Cabinet Measures W 560-570, H 580-585, D 565-580



F6011MODVTN
carbonio



F6011MODVTZ
zinc



F6011MODVTC
copper

Heritage Series



F6011HERVPTNE/23
60cm total steam, electric pyrolytic 11 functions, TFT display

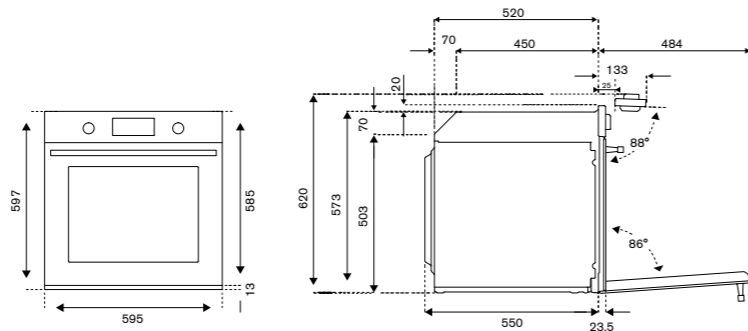
Features

- oven volume 76 L
- metal handle and knobs
- TFT display touch with Bertazzoni Assistant
- Hydro cleaning e Pyrolytic cleaning (with ECO function) system
- Total Steam and Steam Assist functions
- 1 heavy duty flat wire shelf, 1 sliding shelf
- 1 Enamelled Tray - 1 Enamelled Deep Tray - 1 Steam Tray Gastronorm 2/3 - 1 Trivet
- 2 lateral lights
- multisense food probe
- soft opening and closing door with quadruple glass
- oven temperature range 30°C-300°C

Oven Functions



Energy rating **A++**



Cabinet Measures W 560-570, H 580-585, D 565-580



F6011HERVPTAX
avorio / stainless steel



F6011HERVPTAC
avorio / copper

Gas Ovens

Professional Series



F605PROGKX
60cm, gas 5 functions, gas grill

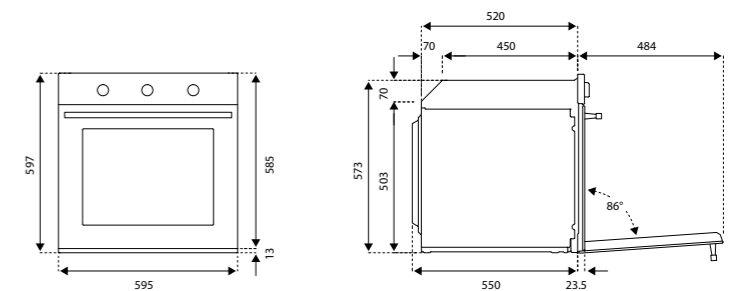
Features

- oven volume 76 L
- metal knobs and handle
- minute minder
- easy to clean enamel
- 1 heavy duty flat wire shelf
- 1 Enamelled Tray
- 1 rear light
- turnspit
- standard door with double glass
- oven temperature range 120°C-260°C

Oven Functions



Energy rating **A**



Cabinet Measures W 560-570, H 580-585, D 565-580

F457HERVTNE
60x45cm combi steam, TFT display

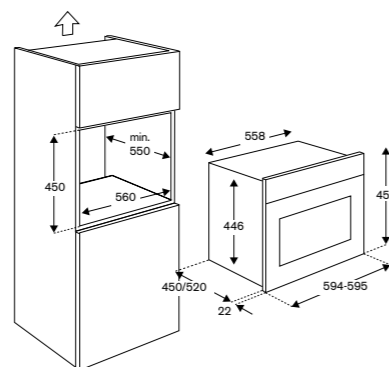
Features

- oven volume 31 L
- metal handle and knobs
- 15 auto cooking modes
- 7 oven functions
- 1 wire shelf
- 1 stainless steel tray - 1 perforated tray
- 4 oven levels
- 1 oven light
- stainless steel cavity finishing
- soft opening door with double glass

Oven Functions



Energy rating **A**



F457HERVPTAX
avorio / stainless steel



F457HERVPTAC
avorio / copper



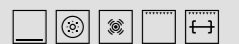
F905PROGKN
carbonio

F905PROGKX
90cm, gas 5 functions, gas grill

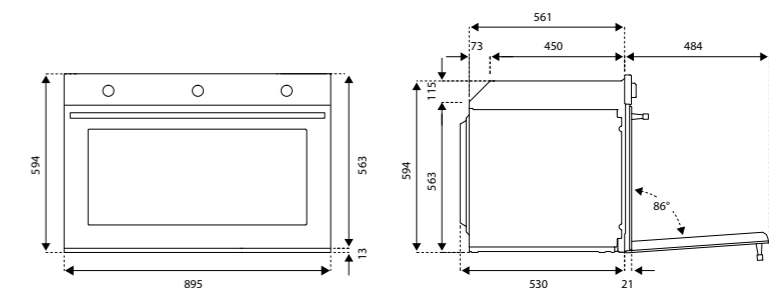
Features

- oven volume 88 L
- metal knobs and handle
- minute minder
- easy to clean enamel
- 1 heavy duty flat wire shelf
- 1 Enamelled Tray
- 2 lights
- 5 oven levels
- turnspit
- standard door with double glass

Oven Functions



Energy rating **A**



Cabinet Measures W 860, H 595, D 560

Modern Series

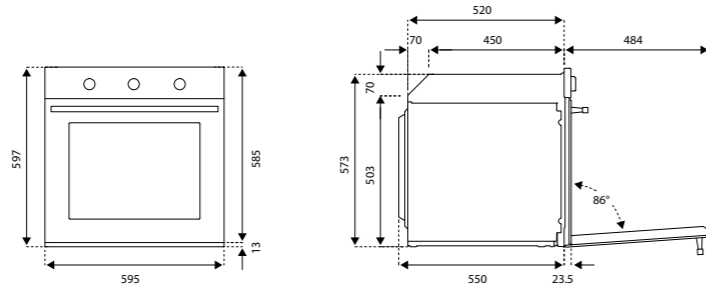


F605MODGKXS
60cm, gas 5 functions, gas grill

- Features**
- oven volume 76 L
 - finishes metal knobs and plastic handle
 - minute minder
 - easy to clean enamel
 - 1 heavy duty flat wire shelf
 - 1 Enamelled Tray
 - 1 rear light
 - turnspit
 - standard door with double glass
 - oven temperature range 120°C-260°C



Energy rating **A**



Cabinet Measures W 560-570, H 580-585, D 565-580

Electric Multifunction Ovens

Professional Series

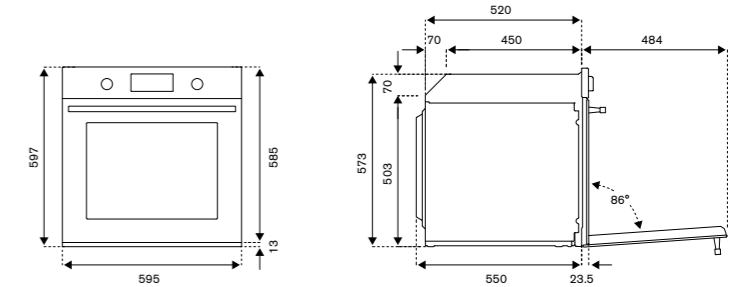


F6011PROPTX/23
60cm, electric pyrolytic 11 functions, TFT display

- Features**
- oven volume 76 L
 - metal handle and knobs
 - TFT display touch with Bertazzoni Assistant
 - Pyrolytic cleaning (with ECO function) system
 - 1 heavy duty flat wire shelf, 1 heavy duty shaped wire shelf,
 - 1 sliding shelf
 - 1 Enamelled Tray - 1 Enamelled Deep Tray - 1 Trivet
 - 2 lateral lights
 - multisense food probe
 - soft opening and closing door with quadruple glass
 - oven temperature range 30°C-300°C



Energy rating **A++**



Cabinet Measures W 560-570, H 580-585, D 565-580



F6011PROPTN
carbonio

Heritage Series

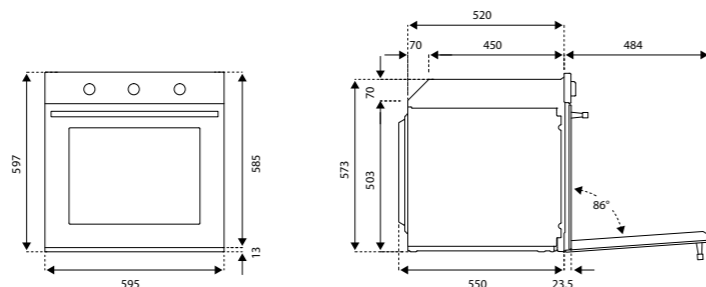


F605HERGKNE
60cm, gas 5 functions, gas grill

- Features**
- oven volume 76 L
 - metal knobs and handle
 - minute minder
 - easy to clean enamel
 - 1 heavy duty flat wire shelf
 - 1 Enamelled Tray
 - 1 rear light
 - turnspit
 - standard door with double glass
 - oven temperature range 120°C-260°C



Energy rating **A**



Cabinet Measures W 560-570, H 580-585, D 565-580



F605HERGKAX
avorio / stainless steel



F605HERGKAC
avorio / copper



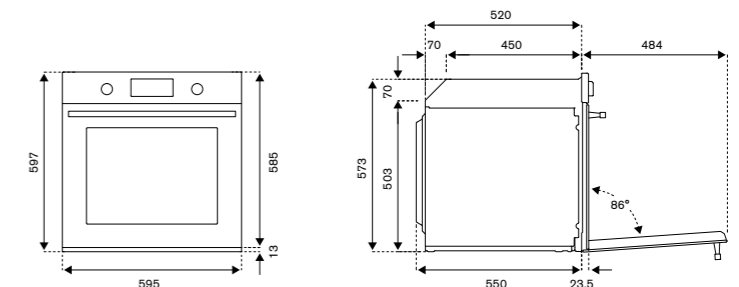
F6011PROPLX/23
60cm, electric pyrolytic 11 functions, LCD display

- Features**
- oven volume 76 L
 - metal handle and knobs
 - Pyrolytic cleaning (with ECO function) system
 - 1 heavy duty flat wire shelf, 1 heavy duty shaped wire shelf,
 - 1 Enamelled Tray
 - 2 lateral lights
 - single point food probe
 - soft opening and closing door with quadruple glass
 - oven temperature range 30°C-300°C



Energy rating **A++**

Optional Accessories
901490 glide shelves



Cabinet Measures W 560-570, H 580-585, D 565-580



F6011PROPLN
carbonio

Professional Series



F6011PROELX

60cm, electric 11 functions, LCD display

Features

- oven volume 76 L
- metal handle and knobs
- LCD display touch with Bertazzoni Assistant
- Hydro cleaning system
- 1 heavy duty flat wire shelf, 1 heavy duty shaped wire shelf,
- 1 Enamelled Tray
- 2 lateral lights
- single point food probe
- soft opening and closing door triple quadruple glass
- oven temperature range 30°C-300°C

Oven Functions

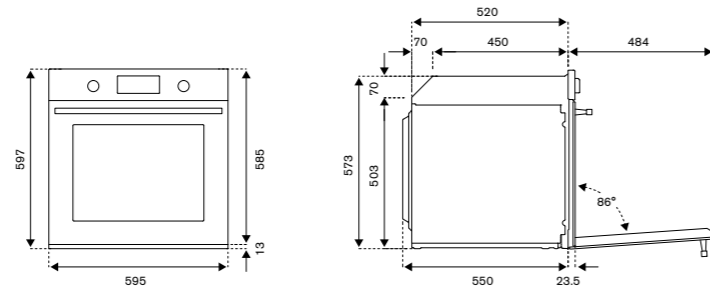


Energy rating A++

Optional Accessories
901490 glide shelves



F6011PROELN
carbonio



Cabinet Measures W 560-570, H 580-585, D 565-580

Professional Series



F605PROEKX

60cm, electric 5 functions

Features

- oven volume 76 L
- metal handle and knobs
- easy to clean enamel
- 1 heavy duty flat wire shelf
- 1 Enamelled Tray
- 1 rear light
- standard door with double glass
- oven temperature range 50°C-270°C

Oven Functions

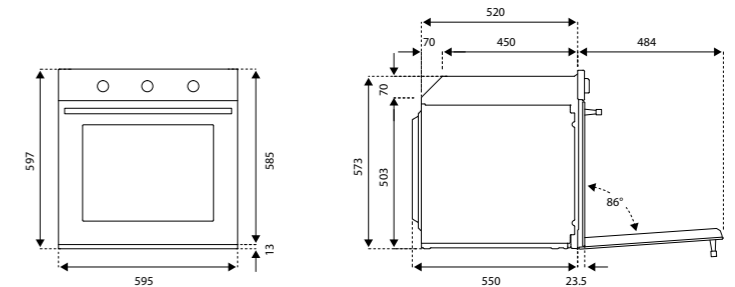


Energy rating A

Optional Accessories
- 901490 glide shelves



F605PROEKN
carbonio



Cabinet Measures W 560-570, H 580-585, D 565-580



F609PROESX

60cm, electric 9 functions, LED display

Features

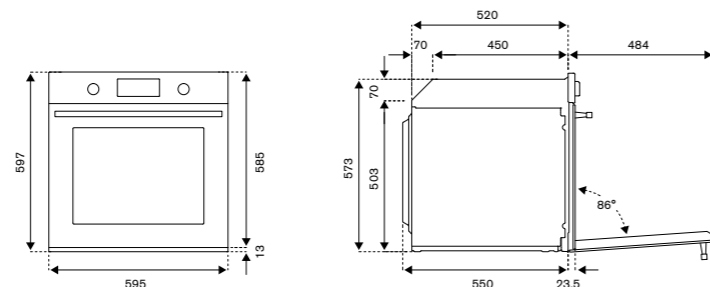
- oven volume 76 L
- metal handle and knobs
- easy to clean enamel
- 1 heavy duty flat wire shelf
- 1 Enamelled Tray
- 1 rear light
- standard door with double glass
- oven temperature range 50°C-270°C

Oven Functions



Energy rating A

Optional Accessories
901490 glide shelves



Cabinet Measures W 560-570, H 580-585, D 565-580

Professional Series



F30PROXT

76cm, electric pyrolytic, LCD display

Features

- oven volume 116 L
- metal handle and knobs
- touch LCD display with Bertazzoni Assistant
- 33 cooking modes
- food probe
- 7 oven levels
- 1 telescopic glide shelf
- 1 wire shelf
- 1 baking tray, 1 grill mesh
- double diagonal light
- soft opening and closing door with quadruple glass

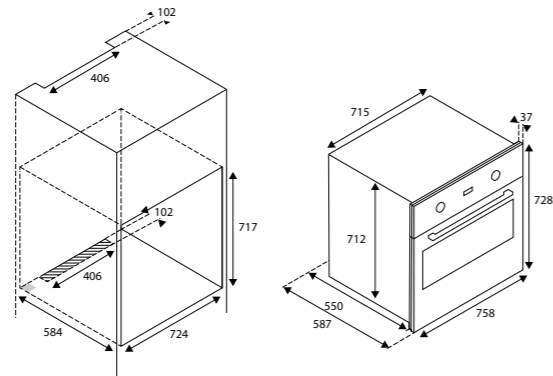
Oven Functions



Energy rating **A**

Optional Accessories

- 901272 porcelain tray
- 901273 glass tray



Modern Series



F6011MODPTX/23

60cm, electric pyrolytic 11 functions, TFT display

Features

- oven volume 76 L
- full touch with glass finishes handle
- TFT display touch with Bertazzoni Assistant
- Pyrolytic cleaning (with ECO function) system
- 1 heavy duty flat wire shelf, 1 heavy duty shaped wire shelf,
- 1 sliding shelf
- 1 Enamelled Tray - 1 Enamelled Deep Tray - 1 Trivet
- 2 lateral lights
- multisense food probe
- soft opening and closing door with quadruple glass
- oven temperature range 30°C-300°C

Oven Functions



Energy rating **A++**



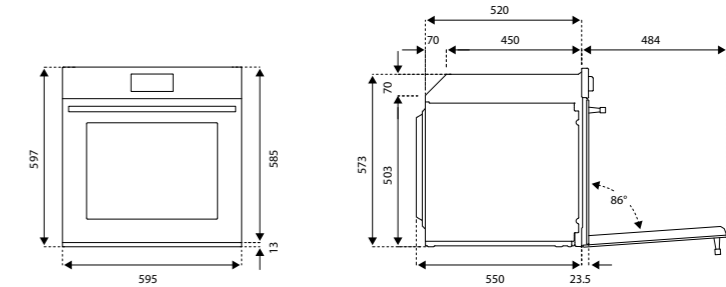
F6011MODPTN
carbonio



F6011MODPTZ
zinc



F6011MODPTC
copper



Cabinet Measures W 560-570, H 580-585, D 565-580



F909PROEKX

Forno 90cm multifunzione elettrico

Features

- volume forno 100 L
- manopole e maniglia in metallo
- contaminuti
- 1 griglia standard
- 1 vassoio standard
- 2 luci
- 5 livelli di cottura
- doppio vetro interno estraibile per la pulizia

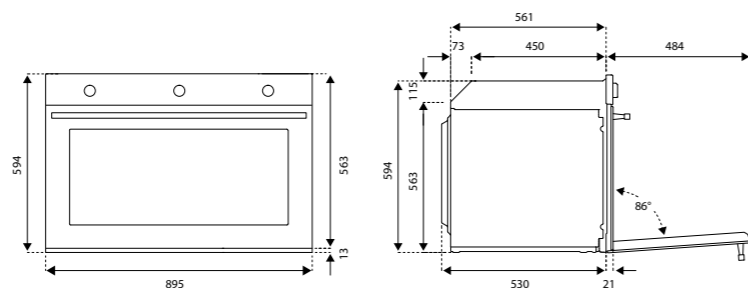
Oven Functions



Energy rating **A**

Optional Accessories

- 901490 glide shelves



F909PROGKN
carbonio

Cabinet Measures W 860, H 595, D 560



F6011MODPLX/23

60cm, electric pyrolytic 11 functions, LCD display

Features

- oven volume 76 L
- full touch with glass finishes handle
- Pyrolytic cleaning (with ECO function) system
- 1 heavy duty flat wire shelf, 1 heavy duty shaped wire shelf,
- 1 Enamelled Tray
- 2 lateral lights
- single point food probe
- soft opening and closing door with quadruple glass
- oven temperature range 30°C-300°C

Oven Functions



Energy rating **A++**



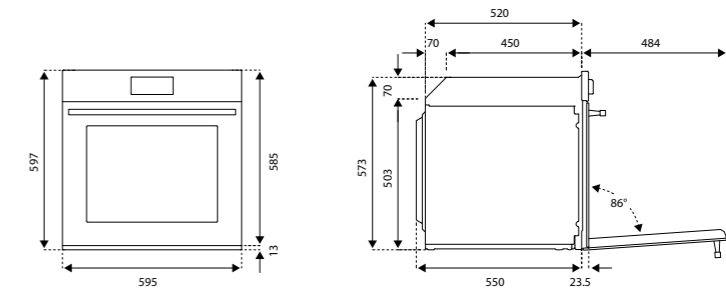
F6011MODPLN
carbonio



F6011MODPLZ
zinc



F6011MODPLC
copper



Cabinet Measures W 560-570, H 580-585, D 565-580

Modern Series



F6011MODELX

60cm, electric 11 functions, LCD display

Features

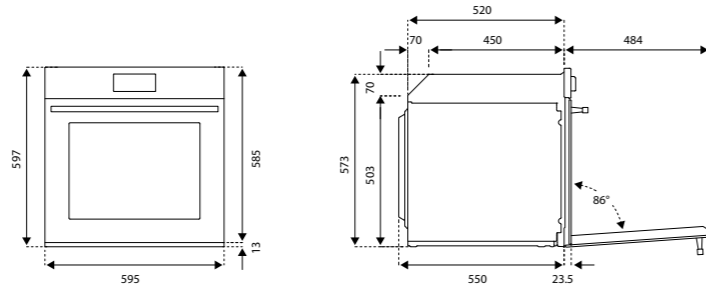
- oven volume 76 L
- full touch with glass finishes handle
- LCD display touch with Bertazzoni Assistant
- Hydro cleaning system
- 1 heavy duty flat wire shelf, 1 heavy duty shaped wire shelf,
- 1 Enamelled Tray
- 2 lateral lights
- single point food probe
- soft opening and closing door triple glass
- oven temperature range 30°C-300°C

Oven Functions



Energy rating **A++**

Optional Accessories
901490 glide shelves



Cabinet Measures W 560-570, H 580-585, D 565-580



F6011MODELN
carbonio



F6011MODELZ
zinc



F6011MODELXC
copper

Modern Series



F605MODEKX

60cm, electric 5 functions

Features

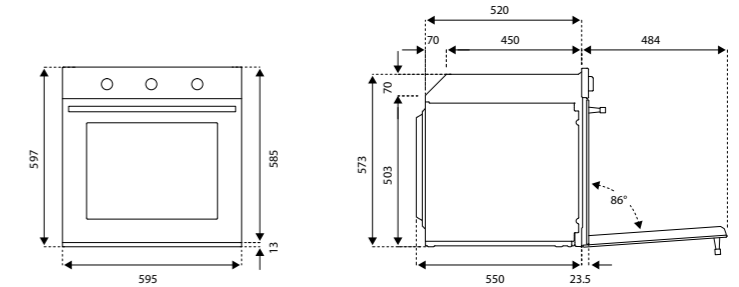
- oven volume 76 L
- soft touch knobs
- glass finishes handle
- minute minder
- easy to clean enamel
- 1 heavy duty flat wire shelf
- 1 Enamelled Tray
- 1 rear light
- standard door with double glass
- oven temperature range 50°C-270°C

Oven Functions



Energy rating **A**

Optional Accessories
- 901490 glide shelves



Cabinet Measures W 560-570, H 580-585, D 565-580

F609MODESX

60cm, electric 9 functions, LED display

Features

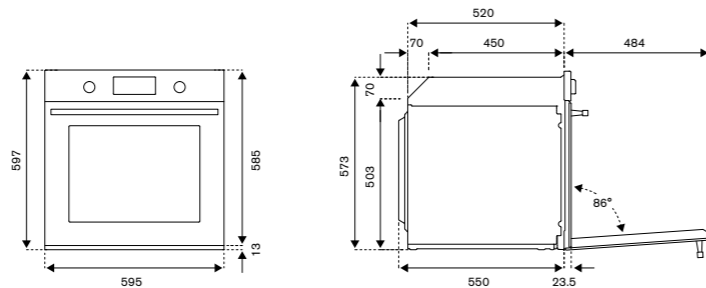
- oven volume 76 L
- soft touch knobs
- glass finishes handle
- easy to clean enamel
- 1 heavy duty flat wire shelf
- 1 Enamelled Tray
- 1 rear light
- standard door with double glass
- oven temperature range 50°C-270°C

Oven Functions



Energy rating **A**

Optional Accessories
901490 glide shelves



Cabinet Measures W 560-570, H 580-585, D 565-580

F605MODEKXS

60cm, electric 5 functions

Features

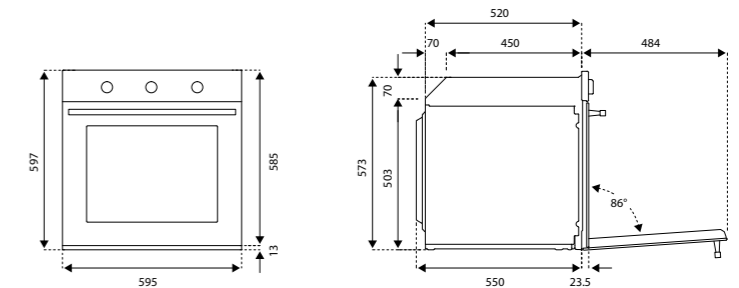
- oven volume 76 L
- metal finishes knobs
- plastic handle
- minute minder
- easy to clean enamel
- 1 heavy duty flat wire shelf
- 1 Enamelled Tray
- 1 rear light
- standard door with double glass
- oven temperature range 50°C-270°C

Oven Functions



Energy rating **A**

Optional Accessories
- 901490 glide shelves



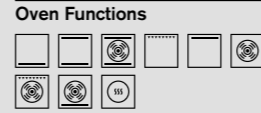
Cabinet Measures W 560-570, H 580-585, D 565-580

Heritage Series



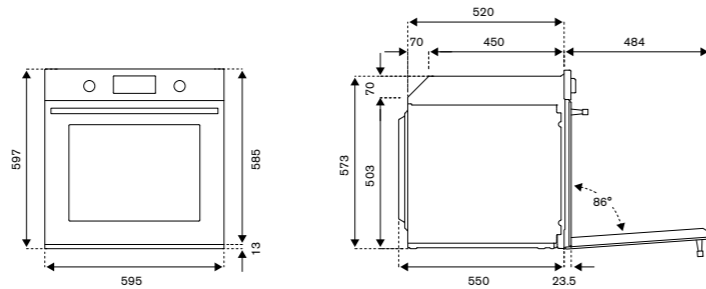
F609HEREKTNE
60cm, electric 9 functions

- Features**
- oven volume 76 L
 - metal knobs and handle
 - analogic thermometer
 - easy to clean enamel
 - 1 heavy duty flat wire shelf
 - 1 Enamelled Tray
 - 1 rear light
 - standard door with double glass
 - oven temperature range 50°C-270°C



Energy rating **A**

Optional Accessories
901490 glide shelves



Cabinet Measures W 560-570, H 580-585, D 565-580



F609HEREKTAX
avorio / stainless steel



F609HEREKTAC
avorio / copper

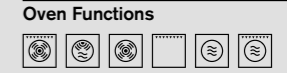
Microwaves

Professional Series



F457PROMWTX
60x45 combi microwave

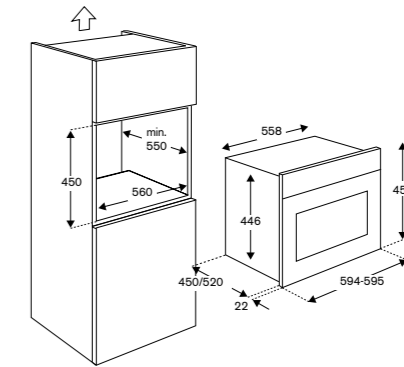
- Features**
- oven volume 38 L
 - metal handle and knobs
 - TFT touch display
 - 15 auto cooking modes
 - 7 oven functions
 - 1 wire shelf
 - 1 glass tray
 - 2 oven levels
 - 1 oven light
 - stainless steel cavity finishing
 - soft opening door with double glass



Energy rating **A**

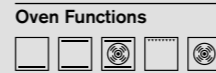


F457PROMWTN
carbonio



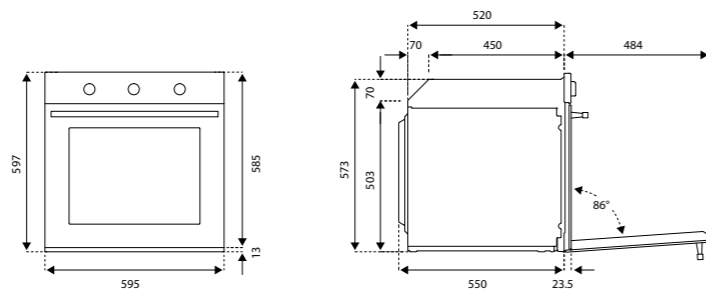
F605HEREKNE
60cm, electric 5 functions

- Features**
- oven volume 76 L
 - metal knobs and handle
 - minute minder
 - easy to clean enamel
 - 1 heavy duty flat wire shelf
 - 1 Enamelled Tray
 - 1 rear light
 - standard door with double glass
 - oven temperature range 50°C-270°C



Energy rating **A**

Optional Accessories
- 901490 glide shelves



Cabinet Measures W 560-570, H 580-585, D 565-580



F605HEREKAX
avorio / stainless steel

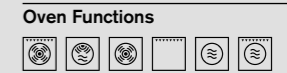


F605HEREKAC
avorio / copper

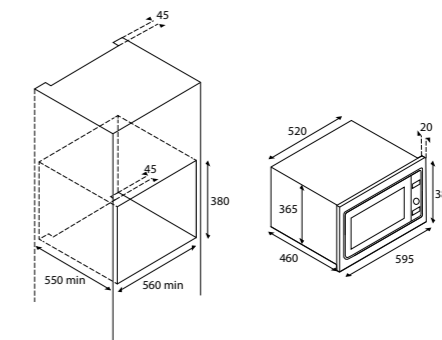


F457PROMWSX
60x38 combi microwave

- Features**
- oven volume 25 L
 - controls with buttons
 - LED display
 - 10 pre-set autocooking modes
 - 7 functions
 - 2 oven levels
 - 1 turntable diam. 315mm
 - 1 light
 - door release button opening system



Energy rating **A**



Modern Series



F457MODMWTX
60x45 combi microwave

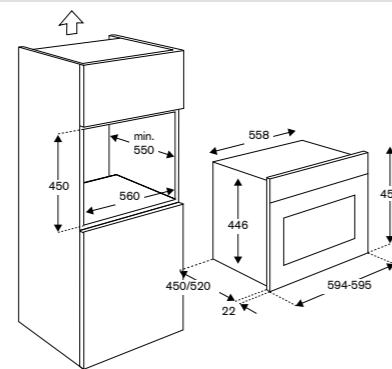
Features

- oven volume 38 L
- full touch with glass finishes handle
- TFT touch display
- 15 auto cooking modes
- 7 oven functions
- 1 wire shelf
- 1 glass tray
- 2 oven levels
- 1 oven light
- stainless steel cavity finishing
- soft opening door with double glass

Oven Functions



Energy rating **A**



F457MODMWTN
carbonio



F457MODMWTZ
zinc



F457MODMWTX
copper

Heritage Series



F457HERMWTNE
60x45 combi microwave

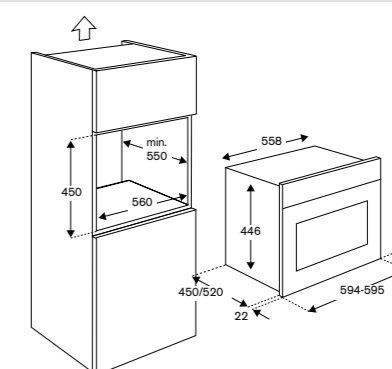
Features

- oven volume 38 L
- metal handle and knobs
- TFT touch display
- 15 auto cooking modes
- 7 oven functions
- 1 wire shelf
- 1 glass tray
- 2 oven levels
- 1 oven light
- stainless steel cavity finishing
- soft opening door with double glass

Oven Functions



Energy rating **A**



F457HERMWTAX
avorio / stainless steel



F457HERMWTAC
avorio / copper

F383MODMWSX

60x38 microwave upside down

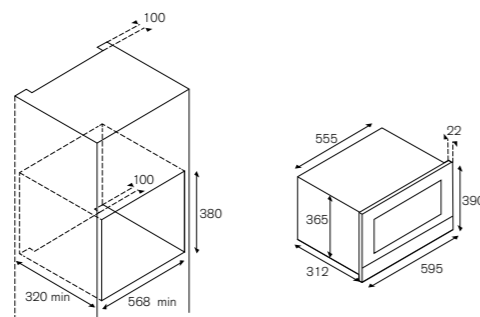
Features

- oven volume 22 L
- pull push knobs
- LED display
- 5 power levels
- 3 functions
- 2 oven levels: microwave + grill
- 1 light
- stainless steel oven cavity
- left door hinges opening system

Oven Functions



Energy rating **A**



F383MODMWSGNE
black glass

Warming Drawers

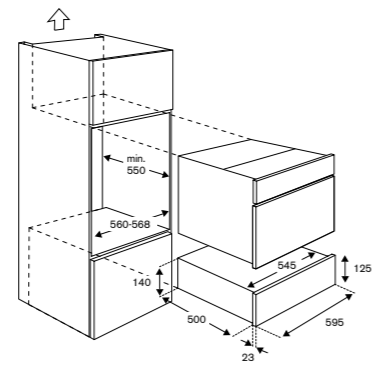
Professional and Modern Series

WD60PROX
60x12 warming drawer

- Features**
- carrying capacity 25 Kg
 - push/pull with soft motion operation
 - temperature range 30°C - 85°C
 - inner rubber matt
 - thermostat light on / off



WD60PRON
carbonio



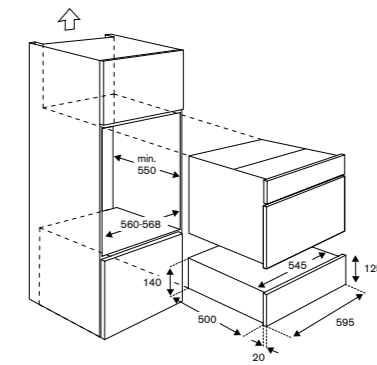
Heritage Series

WD60HERNE
60x12 warming drawer

- Features**
- carrying capacity 25 Kg
 - push/pull with soft motion operation
 - temperature range 30°C - 85°C
 - inner rubber matt
 - thermostat light on / off



WD60HERA
avorio



WD60X
60x12 warming drawer

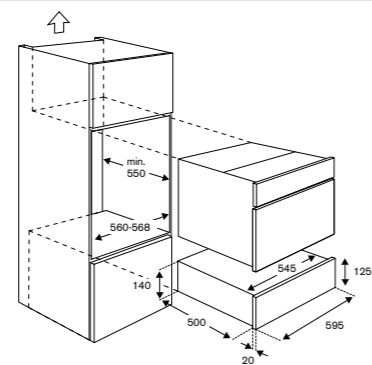
- Features**
- carrying capacity 25 Kg
 - push/pull with soft motion operation
 - temperature range 30°C - 85°C
 - inner rubber matt
 - thermostat light on / off



WD60N
carbonio

WD60Z
zinc

WD60C
copper



Built-in Hobs

Bertazzoni versatile gas hobs offer timeless elegance and fit beautifully into any kitchen design. There is a wide range of choices to match the aesthetic of your kitchen design – from metal or glass bases, gas, induction and special induction models. The gas hobs feature high efficiency burners that are both powerful and accurate, with best-in-class heat-up times. The cast iron pan supports positions pots closer to the flame, improving efficiency and saving you time and energy. Safety is built-in with one-touch, child safety ignition and a safety system that automatically stops the gas flow if the flame goes out. Bertazzoni's one-piece hob moulding features sealed burners, with no sharp angles or dirt traps, making it simple to keep clean. The smart monobloc burners are super-efficient and simply lift out in one piece for easy cleaning.

In this section

- Induction hobs
- Gas on glass hobs
- Gas hobs



Induction hobs

Bertazzoni induction hobs are easy to control and easy to clean. Their elegant design sits well in any kitchen style. Available in 90cm, 78cm and 60cm models with 3, 4, 5 or 6 heating zones, they are simple to operate with intuitive touch controls. They heat up quickly for fast, precise cooking with even heat distribution. Flex cooking areas let you use two zones as one for larger pans. Safety is built-in with automatic child locks, overheating and overflow protection. Integrated ventilation is available on special induction hobs.

Induction with integrated hood

90cm
4 zones and rear hood
Professional Series
Modern Series



80cm
4 zones and central hood
Professional Series
Modern Series



Induction

90cm
6 zones
Professional Series
Modern Series



78cm
6 or 4 zones
Professional Series
Modern Series



60cm
4 zones
Professional Series
Modern Series



30cm
2 zones
Professional Series
Modern Series



Regenerable filters

Long Life Charcoal filters can be regenerated into the oven.

Induction Zones

Induction high-efficiency cooking zones, including booster function for extra-fast boiling. Multizone technology to combine multiple cooking zones, perfectly suitable for wider pans.

Multi slider control

Independent and direct control of each part of the hob to reach a higher precision level. Slide your finger or press the power you need.

Integrated Hood

Integrated ventilation, available in suction or filtering mode. 10 speed settings and automatic control. 100% safe against water spillage.

9 Hood speeds + Booster

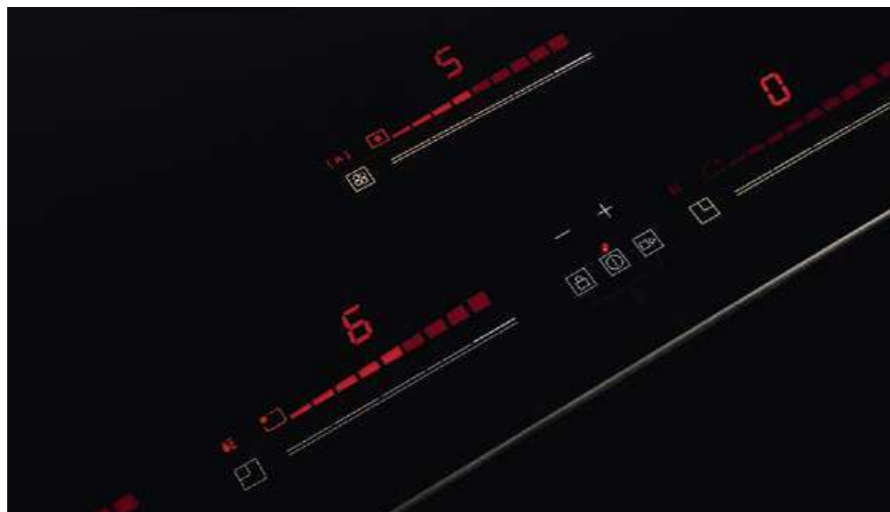
The booster function enhances the power of a single area in the cooking hob allowing it to rapidly reach intense heat.

Induction hobs with integrated hood



Induction Zones

Induction high-efficiency cooking zones, including booster function for extra-fast boiling. Multizone technology to combine multiple cooking zones, perfectly suitable for wider pans.



9 Hood speeds + Booster

The booster function enhances the power of a single area in the cooking hob allowing it to rapidly reach intense heat.

Automatic operation

Once the hood is switched on and this function is set, the hood will automatically adjust the speed in base of the power level used during the cooking.

Distinctive Design

Hood grid designed by Studio Cometti V12 and developed by our engineers. It combines the best performances with brand iconic style featuring the brass cap with Bertazzoni logo.

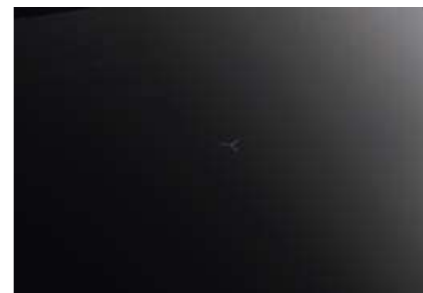


Regenerable filters

Long Life Charcoal filters can be regenerated into the oven.



Induction hobs



Induction Cooking Surface

With instant heat up and cool down, our induction technology delivers fast, precise and efficient cooking. Heat-resistant tempered black glass offers better heat distribution for more uniform cooking. Simple to clean, it co-ordinates seamlessly with any kitchen.



Installation

Choose from flat or bevelled front profiles for simple installation. The flat glass version fits flush with the countertop, while the bevelled front profile sits on the countertop. Both offer an elegant and sophisticated look.

9 Hood speeds + Booster

The booster function enhances the power of a single area in the cooking hob allowing it to rapidly reach intense heat.

Multi slider control

Independent and direct control of each part of the hob to reach a higher precision level. Slide your finger or press the power you need.

Intuitive User Interfaces

Innovative and intuitive digital controls let you regulate the heat instantly with great precision. This level of control makes cooking delicate dishes simple and lets you produce perfect results every time.



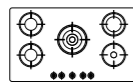
Multizone

This function can be used to combine two zones and manage them as one single cooking zone to offer an extra-large cooking surface for oval, rectangular and elongated pan.

Gas on Glass Hobs

Bertazzoni Professional and Master Series glass hobs are both beautiful and practical. Available in 90cm, 75cm and 60cm configurations, they feature striking and practical 6mm tempered black glass worktops that sit perfectly flush with the countertop. Metal or black soft-touch control knobs with soft touch grips offer accurate flame adjustment. Matt black Monobloc burners ensure even and efficient heating across the bottom of pans. Choose from 5 or 4 gas burners rated from 1.0kw simmer to 5.0kw dual wok configurations with single light-weight cast iron pan supports with matt caps. One hand ignition and safety device controls make them easy to operate and their smooth glass bases mean they are also extremely easy to clean.

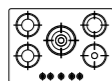
90cm
Central or lateral wok
Professional Series
Modern Series



60cm
Lateral wok
Professional Series
Modern Series



75cm
Central wok
Professional Series
Modern Series



60cm
4 burners
Professional Series
Modern Series



Layout

Choice of layouts to suit your cooking style with lateral or central dual wok ring

Single pan support

Light-weight single cast iron pan supports lift off to make cleaning super-simple

Monobloc burners

One-piece Monobloc burners are exceptionally efficient and quick to clean

Soft touch control knobs

Ergonomically-designed easy grip controls are precise and a pleasure to use

Black tempered glass surface

Sleek gas on glass hobs are heat resistant, offering seamless integration with countertop

Gas on Glass Hobs

Soft Touch Knobs

Bertazzoni believe using your kitchen appliances should be a simple pleasure. Available on the Master Series, these ergonomic black soft touch control knobs are a joy to use with easy grip for precise control.

Metal Knobs

The Professional Series features metal knobs with the iconic ergonomic style. The Titanium finishes gives a sophisticated and captivating look.



Black Glass Surface

The heat-resistant tempered glass top is elegant and easy to maintain. It offers seamless integration with the countertop with 6mm flush installation.

Monobloc Burners

These matt black one-piece burners fit seamlessly to the glass top – they are easier to remove and clean. Designed for complete safety, they feature a child-proof system and automatic gas cut-off to help avoid accidents.

Layout

Available in 60cm, 75cm and 90cm versions with 5 or 4 burners, these gas on glass hobs offer great flexibility with lots of layout options. You can choose from a lateral or central wok ring to suit your cooking style.



Single Pan Support

The striking light-weight single pan supports are made from cast iron. They offer the perfect combination of form and function. Stable and easy to use, they lift off to make cleaning them and the worktop simple.

Gas Hobs

Bertazzoni Professional, Master and Heritage Series gas hobs give you many choices of layout and technology to make cooking simple, versatile and precise. Available in 90cm, 75cm and 60cm versions, with 5, 4 or 3 gas burners in a choice of brass or aluminium. These offer a range of power from 1,0kw simmer to 5,0kw dual wok rings for the accuracy you need to cook any dish perfectly. Choose from metal or black soft-touch controls knobs, with one-touch child safety ignition.

Hobs	Segmented	Rangetop
90cm 5 burners Professional Series Modern Series Heritage Series	90cm Central or lateral wok Professional Series	90cm 6 burners Professional Series
75cm Professional Series Modern Series Heritage Series	90cm 3 burners and griddle Professional Series	
60cm Professional Series Modern Series Heritage Series	60cm 4 or 3 burners Professional Series	
60cm 4 bruciatori Serie Professional Serie Master Serie Heritage		



Layout

Wide range of layout options to suit your preferred cooking style

Power Burner 5kw

Exceptional control – the dual-burner 5Kw power burner is two burners in one

Control knobs

Stainless steel and soft-touch control knobs offer precision heat adjustment

Simmer ring

Perfect for simmering delicate sauces and chocolate and other ingredients

Low profile

Timeless elegance and easy to clean

Continuous pan support

Seamless cast iron pan supports make moving hot pans easy and safe

Gas Hobs



Power Burners

The signature power burner offers versatile cooking choices. It is two burners in one, with two rings of flame delivering an impressive 5.0kw on dual wok setting, or gently simmering delicate ingredients at 0,4kw.

Layouts

Available in 90cm, 75cm and 60cm widths with a choice of layouts to fit your cooking style. Choose from a centrally or laterally located wok burner. To make installation simple, the worktop cut-out for the 75cm and 60cm is the same.



Rangetop

Designed to offer the performance you would expect from a commercial worktop for more flexibility. It has 6 burners: 2 dual 5kw power burners with 4 additional burners in different sizes and power outputs.



Continuous Pan Supports

Continuous cast iron pan supports with large silicon buffers add stability to make moving hot cookware around easy and safe. So you can be confident when you slide

a pan across from one burner to another. These new design supports add 10% more working space to the cooktop.







Segmented

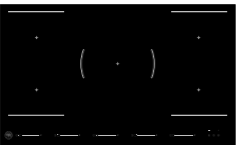



Bertazzoni's award winning segmented Professional Series hobs offer you amazing versatility. Available in 90cm or 60cm configurations, the gas segments feature brass power burners with independently operated dual-burner rings. Stainless-steel Teppanyaki griddle segments have electric heating elements, operated by two separate controls for different temperature zones. Bertazzoni segmented hobs have been developed in collaboration with designer Stefano Giovannoni and have been awarded the prestigious Interior Design Best of Year Award.

Induction hobs with integrated hood

90	80	
NEW	NEW	NEW
		
P9041BH2M30NT rear ventilation	P8041CH2M37NT 4 zones	P8041CH2M30NC 4 zones
NE	NE	NE




Induction hobs

90	78	60	
			NEW
			
P9061M3G5NE 6 zones	P7861M3B2NE 6 zones	P6041M2B2NE-20 4 zones	P6041M2B28NV 4 zones
NE	NE	NE	NE





90	78	60	
NEW	NEW	NEW	NEW
			
P90512M30NV 5 zones	P78411M30NV 4 zones	P60411B26NV 4 zones	P603130NV 3 zone
NE	NE	NE	NE

	30
	NEW
	
	P302123NV 2 zone
	NE





Vitroc ceramic Hobs

90	60	30
		
P904CERMODNE 4 zones	P604CERMODNE 4 zones	P302CERMODNE 2 zones
NE	NE	NE

Gas on Glass Hobs

90	78	75	60
Professional Series			
			
P905CPROGNE central dual wok	P782BPROGNE double dual wok	P755CPROGNE central wok	P604LPROGNE lateral wok
NE	NE	NE	NE

	
P905LPROGNE lateral dual wok	P604PROGNE 4 burners
NE	NE


















Modern Series			
			
P905CMODGNE central dual wok	P782BMODGNE double dual wok	P755CMODGNE central wok	P604LMODGNE lateral wok
NE	NE	NE	NE

	
P905LMODGNE lateral dual wok	P604MODGNE 4 burners
NE	NE






Domino Hobs

30	Professional Series		
			
	P301CPROGNE dual wok	P302PROGNE 2 gas burners	P381TPROGNE teppan-yaki griddle
	NE	NE	NE

Gas Hobs

90	75	60
Professional Series		
		
P905CPROX central dual wok X NE	P905LPROX lateral dual wok X NE	P755CPROX central wok X NE
		
		P604LPROX lateral wok X NE
		
P903BPROX 3 burners - double dual wok X NE	P903LPROX 3 burners - lateral dual wok X NE	P604PROX 4 burners X NE
Modern Series		
		
P905CMODX central dual wok X NE	P905LMODX lateral dual wok X NE	P755CMODX central wok X NE
		
		P604LMODX lateral wok X NE
		
		P604MODX 4 burners X NE
Heritage Series		
		
P905CHERNE central dual wok NE AX AC	P905LHERNE lateral dual wok NE AX AC	P755CHERNE central wok NE AX AC
		
		P604LHERNE lateral wok NE AX AC
		
		P604HERNE NE AX AC

Segmented Hobs

90	60
Professional Series	
	
PM36500X central dual wok X	PM365S0X lateral dual wok X
	
	PM3630GX teppan-yaki griddle X
	
	PM6040X X
	
	PM6030X lateral dual wok X

Rangetop

90
Professional Series

RT366PROX 6 burners X

Induction hobs with integrated hood

NEW



P904IBH2M30NT

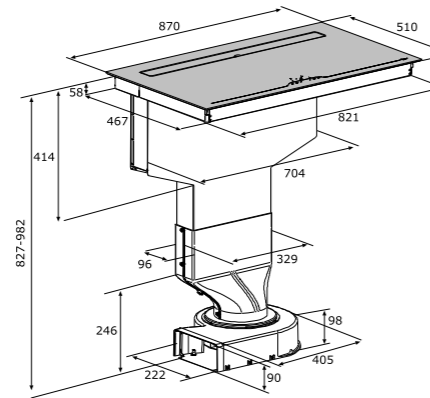
90cm induction hobs, rear integrated hood

Features

- 4 induction zones
- Touch LED display interface
- Flex bridge zones
- 9 power levels
- Booster on all zones
- Black vitroceramic finishes
- Hood max extraction power 742 m³h
- 6 speed
- Filter saturation alarm
- Noise level 48-66db
- Energy class A+++
- Automatic opening hood

Optional Accessories

- 901523 2 charcoal filters kit
- 901526 kitchen plinth grid kit
- 901527 air outlet fitting kit
- 901528 plus filter kit
- 901529 plus filter kit & recharge



NEW



P804ICH2M30NC

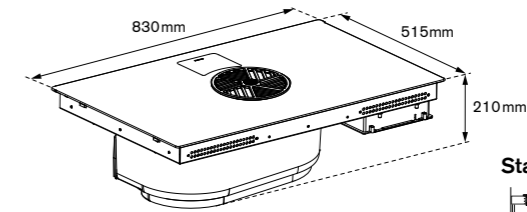
80cm induction hob, central integrated hood

Features

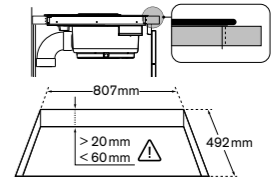
- 4 induction multi-zones 190x210mm
- Central aspiration
- 2 zones 2100W (3000W booster)
- 2 zones 1600W (1850 booster)
- 9 power levels and booster
- LED interface with single slider
- Timer
- Pause/recall function
- Max extraction power 625 m³h
- 4 speed + 2 booster
- Filter saturation alarm
- Overflow security
- Energy class A
- Auto-limitation power 3,1kw - 4,5kw-7,4kw

Optional Accessories

- 901606 Filtering kit plinth-out
- 901607 Filtering kit plinth-in
- FLRR1LL Kit charcoal filter long lasting



Standard installation



NEW



P804ICH2M37NT

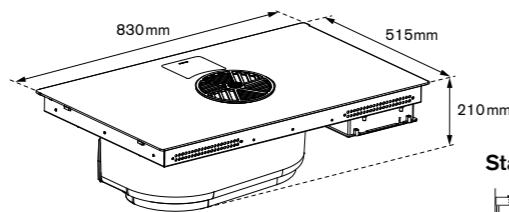
80cm induction hob, central integrated hood

Features

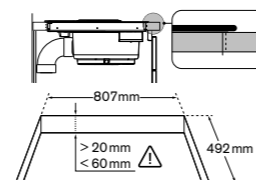
- 4 induction multi-zones 190x220mm
- Central aspiration
- 4 zones 2100W (3700W booster)
- 9 power levels and booster
- LED interface with multiple slider
- Timer
- Pause/recall function
- Max extraction power 640 m³h
- 8 speed + 2 booster
- Filter saturation alarm
- Overflow security
- Energy class A+
- Auto-limitation power 4,5kw-7,4kw

Optional Accessories

- 901606 Filtering kit plinth-out
- 901607 Filtering kit plinth-in
- FLRR1LL Kit charcoal filter long lasting



Standard installation



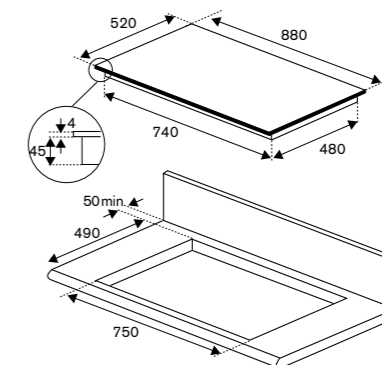
Induction hobs

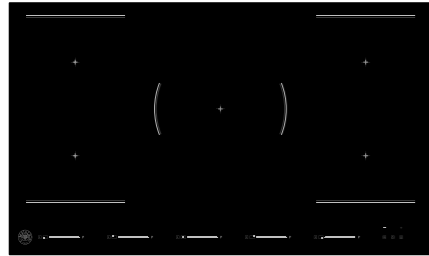
P906IM3G5NE

90cm induction hob, 3 multi zones

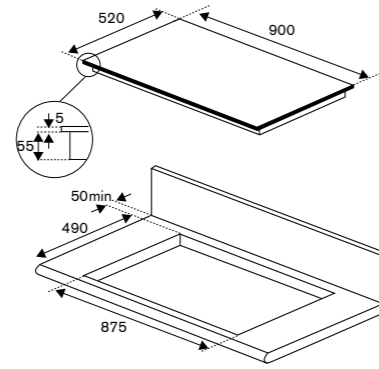
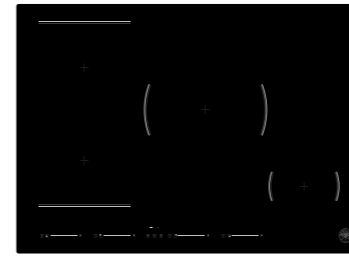
Features

- 6 induction zones
- LED interface with single slider
- 3 flex zones
- Timer
- Pause function
- Automatic temperature setting
- 14 power levels (9 power levels+booster+double booster+ 3 direct)
- Booster on all zones
- Black glass easy to clean finishes
- Total absorbed power 11,1kw

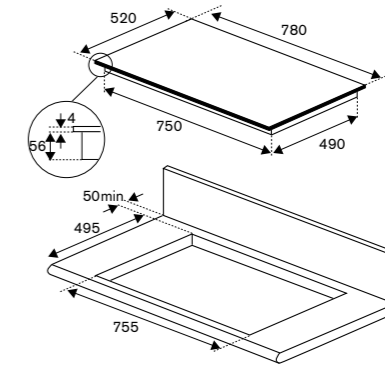


NEW**P905I2M30NV****90cm induction hob, 5 zones, 2 multi zones****Features**

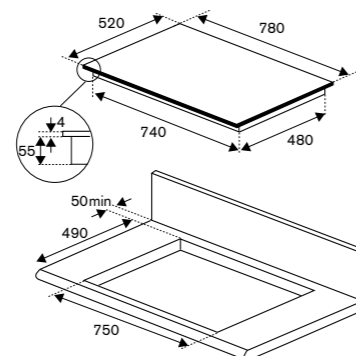
- 5 induction zones with 2 multizones
- 2 front zones 190x190mm 2000W (2800W booster)
- 2 rear zones 190x190mm 1500W (2000W booster)
- Central zones diam. 280mm 2300W (3000W booster)
- LED interface with multiple slider
- 9 power levels + booster + double booster
- Melting (45°), Keep Warm (70°) and Boiling (85°) functions
- Timer
- Child lock
- Residual heat indicator
- Automatic switch off
- Pot detection
- Autolimitation power 6 levels: 1,5kw - 2,8kw -3,7kw - 4,5kw - 6kw - 6,5Kw - 7,2kw

**NEW****P784I1M30NV****78cm induction hob, 4 zones, 1 multizone****Features**

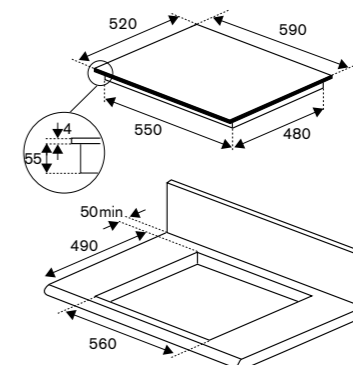
- 4 induction zones with 1 multizone
- 1 zone 190x190mm 2000W (2800 booster)
- 1 zone 190x190mm 1500W (2000 booster)
- Central zone diam. 280mm 2300W (3000W booster)
- 1 zone diam. 160mm 1200W (1500W booster)
- LED interface with multiple slider
- 14 power levels (9 power levels + booster + double booster+direct)
- Melting (45°), Keep Warm (70°) and Boiling (85°) functions
- Child lock
- Residual heat indicator
- Automatic switch off
- Pot detection
- Autolimitation power 6 levels: 1,5kw-2,8kw-3,7kw- 4,5kw-6kw-6,5kw

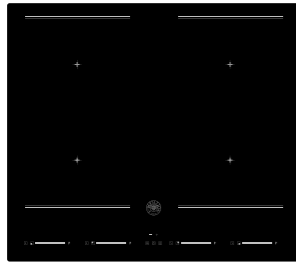
**P786I1M3B2NE****78cm induction hob, 3 multizones****Features**

- 6 induction zones
- LED interface with single slider
- 3 flex zones
- Timer
- Pause function
- Automatic temperature setting
- 12 power levels (9 power levels + booster + double booster)
- Booster on all zones
- Black glass easy to clean finishes
- Total absorbed power 11,1kw

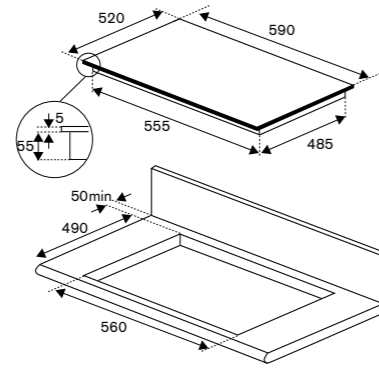
**P604I1M2B2NE-20****60cm induction hob****Features**

- 4 induction zones
- LED touch display user interface
- flex bridge zones
- timer
- pause function
- automatic temperature setting
- 12 power levels
- booster on all zones
- black glass easy to clean finishes
- power limitation systems from 1,9kw
- power limitation system with 10 levels: 1,9kw-2,4kw- 3kw- 3,7kw-4,6kw-4,8kw-5,4kw-6,0kw-6,8kw-7,4kw

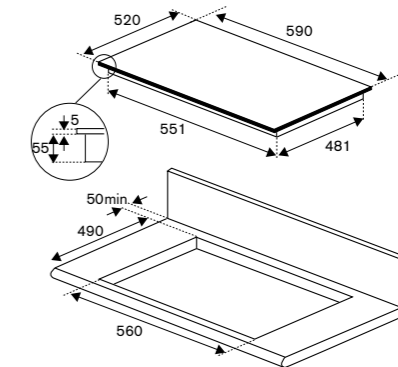
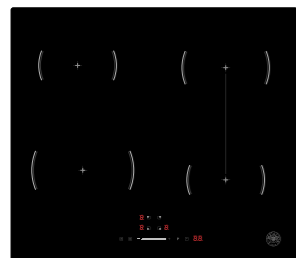


NEW**P604I2M28NV****60cm induction hob, 2 multi zones****Features**

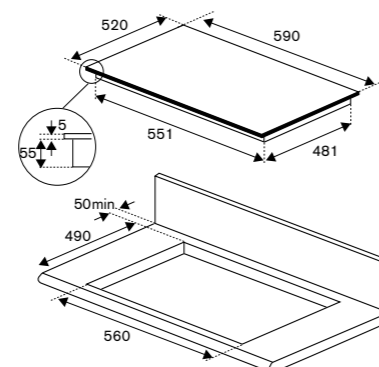
- 4 induction zones with 2 multi zones
- 1 zone 190x190mm 2000W (2800W Booster)
- 1 zone 190x190mm 1500W (2000W Booster)
- LED interface with multiple slider
- 14 power levels (9 power levels + booster + double booster + 3 direct)
- Melting (45°), Keep Warm (70°) and Boiling (85°) functions
- Child lock
- Residual heat indicator
- Automatic switch off
- Pot detection
- Autolimitation power 6 levels: 1,5kw-2,8kw-3,7kw-4,5kw-6kw-6,5kw

**NEW****P603I30NV****60cm induction hob, 3 zones****Features**

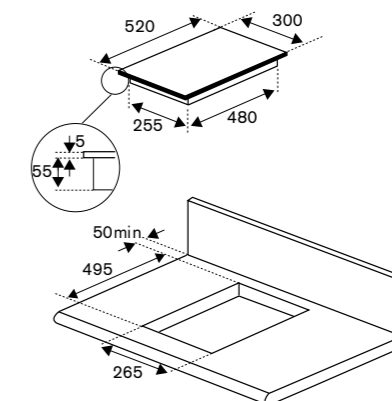
- 3 induction zones
- 1 zone ø 210mm 2000W (2300W Booster)
- 1 zone ø280mm 2300W (3000W Booster)
- 1 zone ø160mm 1200W (1500W Booster)
- LED interface with single slider
- 9 power levels + booster
- timer
- Child lock
- Residual heat indicator
- Automatic switch off
- Pot detection
- Autolimitation power 5 levels: 1,5kw-2,8kw-3,7kw-4,5kw-6,5kw

**NEW****P604I1B26NV****60cm induction hob, 4 zones****Features**

- 4 induction zones with 1 bridge zone
- front zone sx diam. 210mm 2000W (2300W Booster)
- front zone dx diam. 160mm 1200W (1500W Booster)
- rear zone sx diam. 160mm 1200W (1500W Booster)
- rear zone dx diam. 180mm 1800W (2300W Booster)
- 9 power levels + booster
- Timer
- Child lock
- Residual heat indicator
- Automatic switch off
- Pot detection
- Autolimitation power 6 levels: 1,5kw-2,8kw-3,7kw-4,5kw-6kw-6,5kw

**P302I23NV****30cm induction hob, 2 zones****Features**

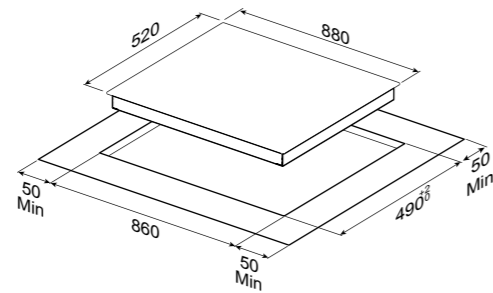
- 2 induction zones
- 1 zone ø 180mm 1800W (2300W Booster)
- 1 zone ø160mm 1200W (1500W Booster)
- LED interface with single slider
- 9 power levels + booster
- timer
- Child lock
- Residual heat indicator
- overflow safety
- Autolimitation power 2 levels: 1,5kw - 2,8kw



Vitroc ceramic Hobs
Professional Series

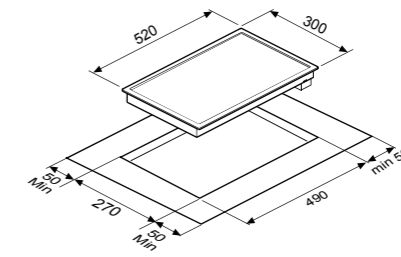
P904CERMODNE
90cm ceran hob, 4 zones
Features

- 4 radiant zones
- Led touch control interface
- Child lock
- Residual heat indicator
- Black glass worktop
- Timer
- Nominal electric power 6,4kw

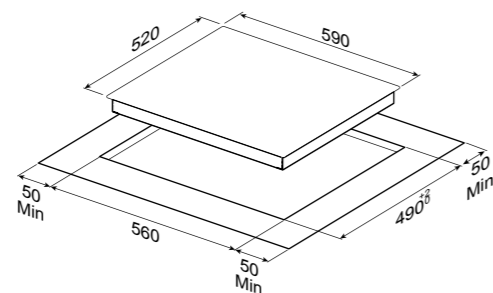

Professional Series

P302CERMODNE
30cm ceran hob, 2 zones
Features

- 2 radiant zones
- Led display interface
- Full touch control
- Child lock
- Residual heat indicator
- Black glass worktop
- Timer
- Nominal electric power 3,0kw


P604CERMODNE
60cm ceran hob, 4 zones
Features

- 4 radiant zones
- Led display interface
- Full touch control
- Child lock
- Residual heat indicator
- Black glass worktop
- Timer
- Nominal electric power 6,5kw



Gas on Glass Hobs

Professional Series



P905CPROGNE

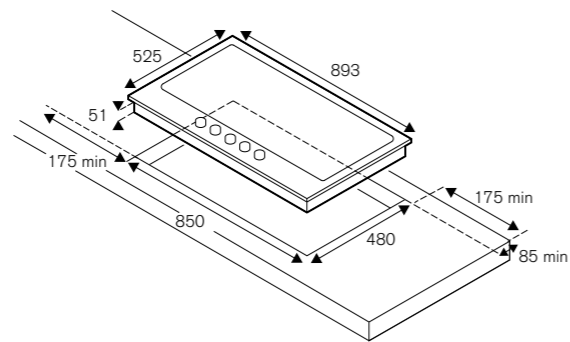
90cm glass on glass hob, central dual wok

Features

- 5 matt black monoblock burners
- 5kw central dual wok
- single cast iron pan supports
- metal knobs
- one hand ignition
- flame failure device
- standard cut-out size
- tempered black glass surface

Optional Accessories

- 901438 simmer ring
- 901439 wok ring



Professional Series



P782BPROGNE

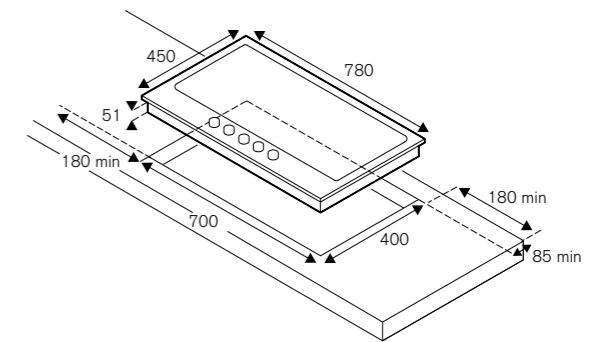
78cm gas on glass hob, double lateral dual wok

Features

- 2 brass gas burners
- 5kw lateral dual wok
- single cast iron pan supports
- metal knobs
- one hand ignition
- flame failure device
- tempered black glass surface

Optional Accessories

- 901438 simmer ring
- 901439 wok ring



P905LPROGNE

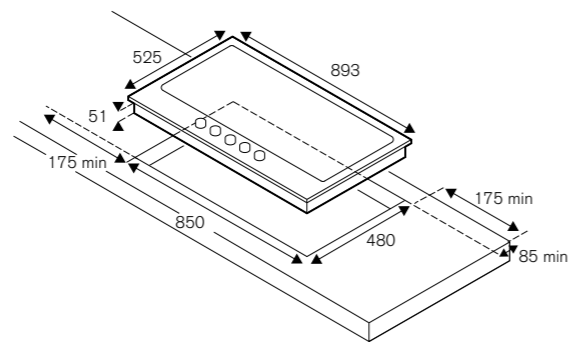
90cm glass on glass hob, lateral dual wok

Features

- 5 matt black monoblock burners
- 5kw lateral dual wok
- single cast iron pan supports
- metal knobs
- one hand ignition
- flame failure device
- standard cut-out size
- tempered black glass surface

Optional Accessories

- 901438 simmer ring
- 901439 wok ring



P755CPROGNE

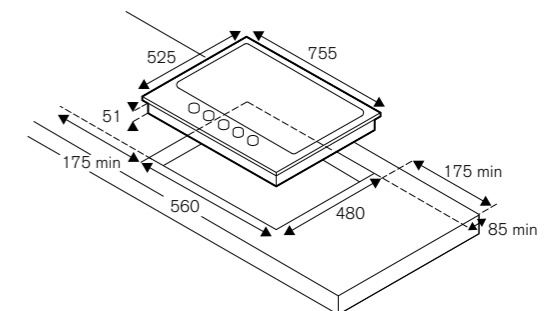
75cm gas on glass hob, central dual wok

Features

- 5 matt black monoblock burners
- 4kw central dual wok
- single cast iron pan supports
- metal knobs
- one hand ignition
- flame failure device
- standard cut-out size
- tempered black glass surface

Optional Accessories

- 901438 simmer ring
- 901439 wok ring



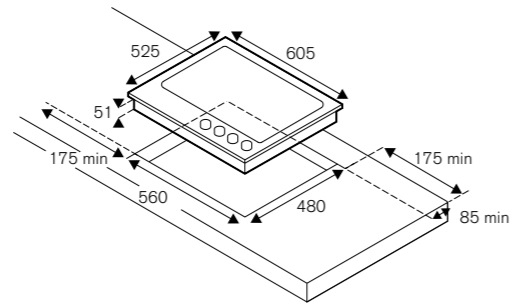
Professional Series

P604LPROGNE**60cm gas on glass hob, lateral dual wok****Features**

- 4 matt black monoblock burners
- 4kw lateral dual wok
- cast iron pan supports
- metal knobs
- one hand ignition
- flame failure device
- standard cut-out size
- tempered black glass surface

**Optional Accessories**

- 901438 simmer ring
- 901439 wok ring



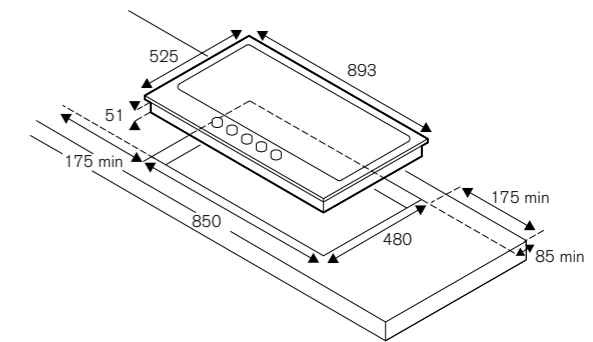
Modern Series

P905CMODGNE**90cm gas on glass hob, lateral dual wok****Features**

- 5 matt black monoblock burners
- 5kw central dual wok
- single cast iron pan supports
- soft touch knobs
- one hand ignition
- flame failure device
- standard cut-out size
- tempered black glass surface

**Optional Accessories**

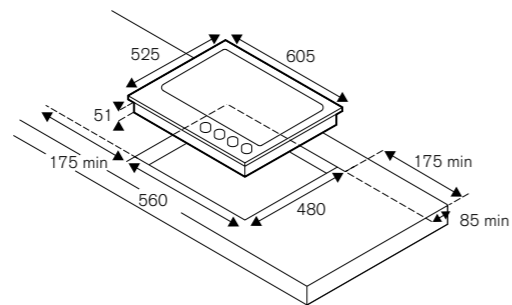
- 901438 simmer ring
- 901439 wok ring

**P604PROGNE****60cm gas on glass hob****Features**

- 4 matt black monoblock burners
- cast iron pan supports
- metal knobs
- one hand ignition
- flame failure device
- standard cut-out size
- tempered black glass surface

**Optional Accessories**

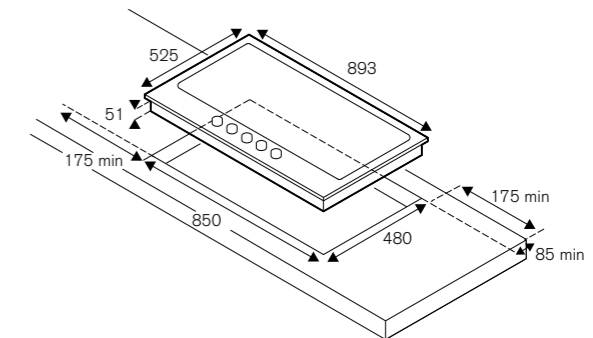
- 901438 simmer ring

**P905LMODGNE****90cm gas on glass hob, lateral dual wok****Features**

- 5 matt black monoblock burners
- 5kw lateral dual wok
- single cast iron pan supports
- soft touch knobs
- one hand ignition
- flame failure device
- standard cut-out size
- tempered black glass surface

**Optional Accessories**

- 901438 simmer ring
- 901439 wok ring



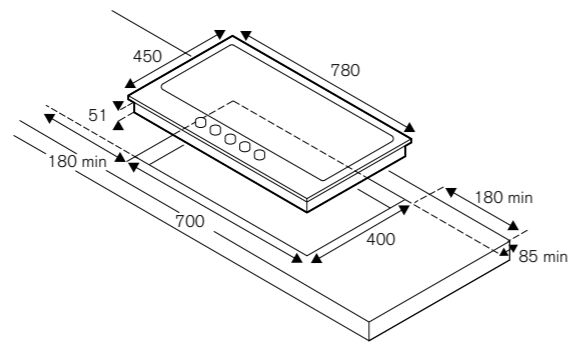
Modern Series

**P782BMODGNE****78cm gas on glass hob, double lateral dual wok****Features**

- 2 matt black monoblock burners
- 5kw lateral dual wok
- single cast iron pan supports
- soft touch knobs
- one hand ignition
- flame failure device
- tempered black glass surface

Optional Accessories

- 901438 simmer ring
- 901439 wok ring



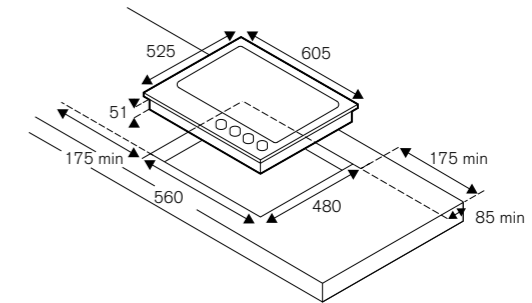
Modern Series

**P604LMODGNE****60cm gas on glass hob, lateral dual wok****Features**

- 4 matt black monoblock burners
- 4kw lateral dual wok
- cast iron pan supports
- soft touch knobs
- one hand ignition
- flame failure device
- standard cut-out size
- tempered black glass surface

Optional Accessories

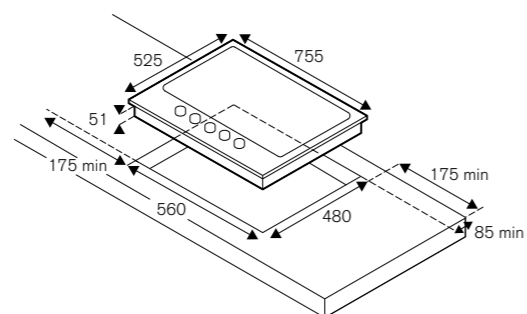
- 901438 simmer ring
- 901439 wok ring

**P755CMODGNE****75cm gas on glass hob, central dual wok****Features**

- 5 matt black monoblock burners
- 4kw central dual wok
- single cast iron pan supports
- soft touch knobs
- one hand ignition
- flame failure device
- standard cut-out size
- tempered black glass surface

Optional Accessories

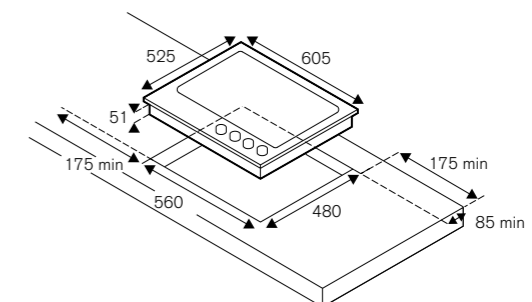
- 901438 simmer ring
- 901439 wok ring

**P604MODGNE****60cm gas on glass hob****Features**

- 4 matt black monoblock burners
- cast iron pan supports
- soft touch knobs
- one hand ignition
- flame failure device
- standard cut-out size
- tempered black glass surface

Optional Accessories

- 901438 simmer ring

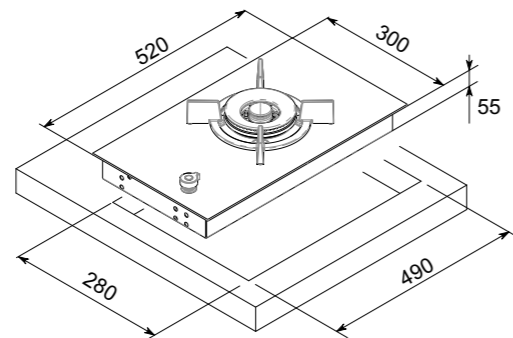


Domino Hobs

Professional Series


P301C PROGNE
 30cm domino hob, 1 wok
Features

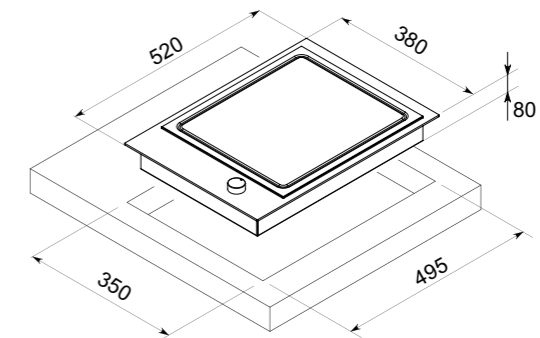
- 1 gas zone
- 4,5kw dual wok
- brass burner and matt cap
- single cast iron pan support
- metal knob
- one hand ignition
- flame failure device
- black glass finishes



Professional Series

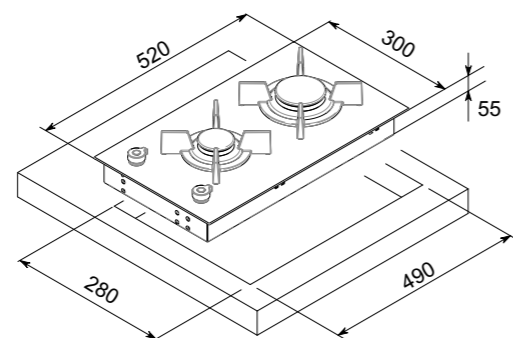

P381T PROGNE
 30cm domino hob teppan-yaki griddle
Features

- 1 electric zone
- teppan-yaki griddle 2,5kw
- metal knob
- one hand ignition
- residual heat indicator
- black glass and stainless steel finishes


P302PROGNE
 30cm domino hob, 2 gas zones

P302PROGNE
 30cm domino hob, 2 gas zones
Features

- 2 gas zones
- aluminum burners and matt caps
- single cast iron pan support
- metal knobs
- one hand ignition
- flame failure device
- black glass finishes



Gas Hobs

Professional Series

P905CPROX

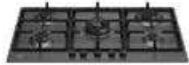
90cm gas hob, central dual wok

Features

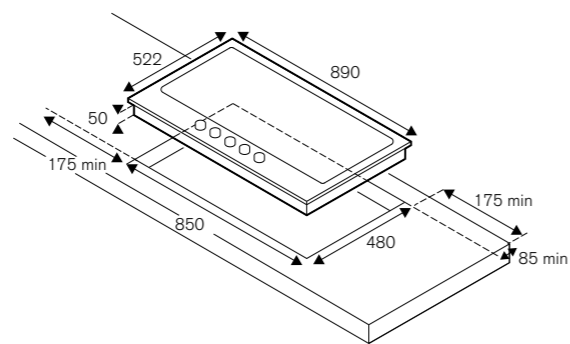
- 5 brass gas burners
- 5kw central dual wok
- cast iron pan supports
- metal knobs
- one hand ignition
- flame failure device
- standard cut-out size
- stainless steel or matt black finishes

Optional Accessories

- 901438 simmer ring
- 901439 wok ring



P905CPRONE
black



Professional Series

P903BPROX

90cm gas hob, double dual wok

Features

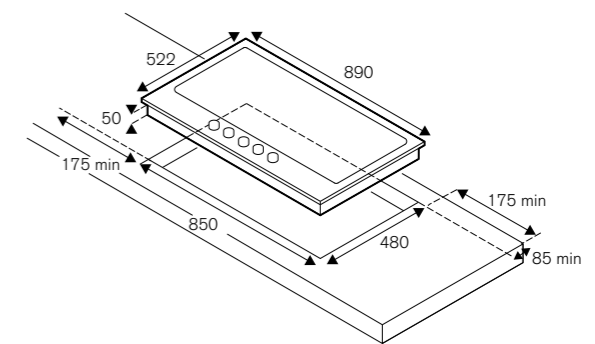
- 3 brass gas burners
- 5kw double dual wok
- cast iron pan supports
- metal knobs
- one hand ignition
- flame failure device
- standard cut-out size
- stainless steel or matt black finishes

Optional Accessories

- 901438 simmer ring
- 901439 wok ring



P903BPRONE
black



P905LPROX

90cm gas hob, lateral dual wok

Features

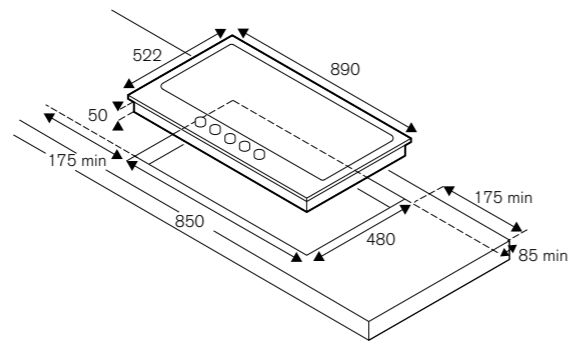
- 5 brass gas burners
- 5kw lateral dual wok
- cast iron pan supports
- metal knobs
- one hand ignition
- flame failure device
- standard cut-out size
- stainless steel or matt black finishes

Optional Accessories

- 901438 simmer ring
- 901439 wok ring



P905LPRONE
black



P903LPROX

90cm gas hob, double dual wok

Features

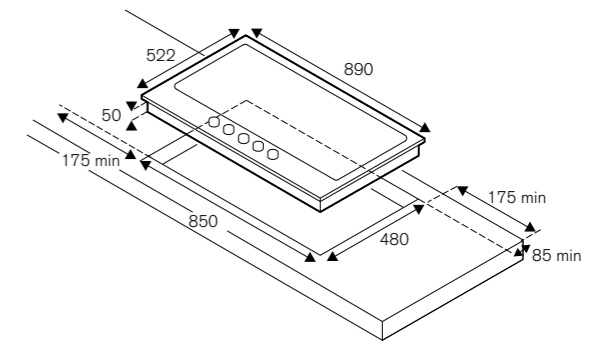
- 3 brass gas burners
- 5kw lateral dual wok
- cast iron pan supports
- metal knobs
- one hand ignition
- flame failure device
- standard cut-out size
- stainless steel or matt black finishes

Optional Accessories

- 901438 simmer ring
- 901439 wok ring



P903LPRONE
black



Professional Series

P755CPROX

75cm gas hob, central dual wok

Features

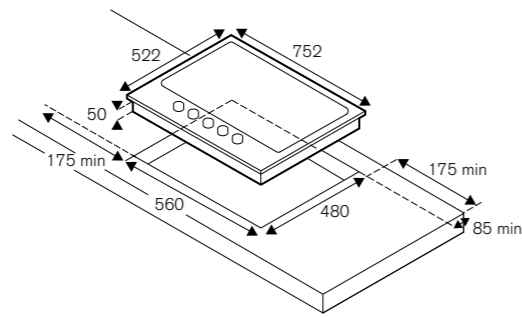
- 5 brass gas burners
- 4kw central dual wok
- cast iron pan supports
- metal knobs
- one hand ignition
- flame failure device
- standard cut-out size
- stainless steel or matt black finishes

Optional Accessories

- 901438 simmer ring
- 901439 wok ring



P755CPROX
black



Professional Series

P604PROX

60cm gas hob

Features

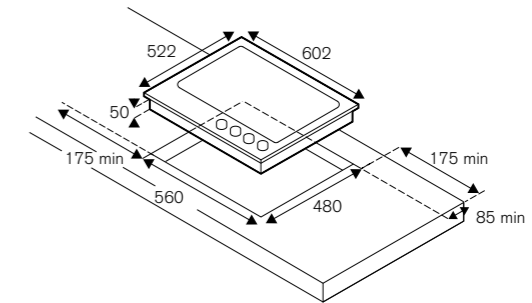
- 4 brass gas burners
- cast iron pan supports
- metal knobs
- one hand ignition
- flame failure device
- standard cut-out size
- stainless steel or matt black finishes

Optional Accessories

- 901438 simmer ring
- 901439 wok ring



P604PROX
black



P604LPROX

60cm gas hob, lateral dual wok

Features

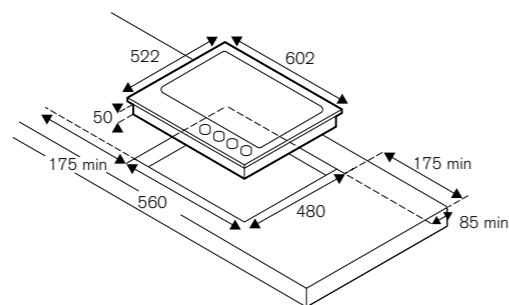
- 4 brass gas burners
- 4kw lateral dual wok
- cast iron pan supports
- metal knobs
- one hand ignition
- flame failure device
- standard cut-out size
- stainless steel or matt black finishes

Optional Accessories

- 901438 simmer ring
- 901439 wok ring



P604LPROX
black



Modern Series

P905CMODX

90cm gas hob, central dual wok

Features

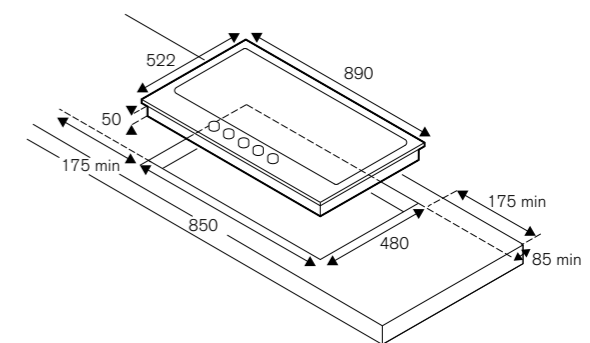
- 5 aluminum gas burners
- 5kw central dual wok
- cast iron pan supports
- metal finish knobs
- one hand ignition
- flame failure device
- standard cut-out size
- stainless steel or matt black finishes

Optional Accessories

- 901438 simmer ring
- 901439 wok ring



P905CMODX
black



Modern Series

P905LMODX

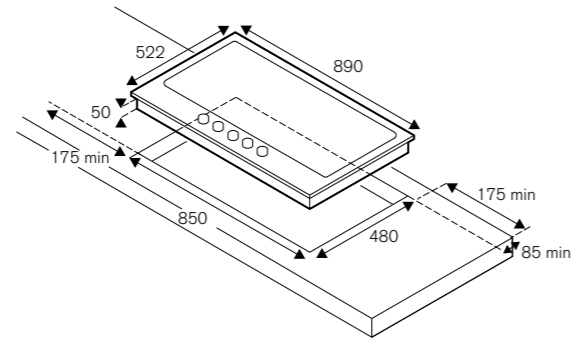
90cm gas hob, lateral dual wok

Features

- 5 aluminum gas burners
- 5kw lateral dual wok
- cast iron pan supports
- metal finish knobs
- one hand ignition
- flame failure device
- standard cut-out size
- stainless steel or matt black finishes

Optional Accessories

- 901438 simmer ring
- 901439 wok ring



P905LMODNE
black

Modern Series

P604LMODX

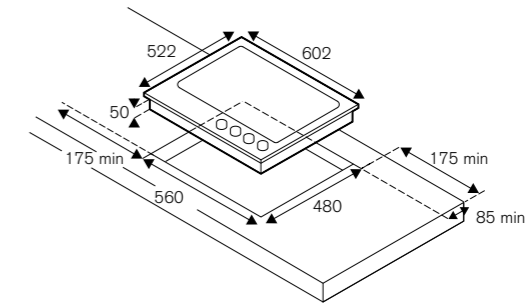
60cm gas hob, lateral dual wok

Features

- 4 aluminum gas burners
- 4kw lateral dual wok
- cast iron pan supports
- metal finish knobs
- one hand ignition
- flame failure device
- standard cut-out size
- stainless steel or matt black finishes

Optional Accessories

- 901438 simmer ring
- 901439 wok ring



P604LMODNE
black

P755CMODX

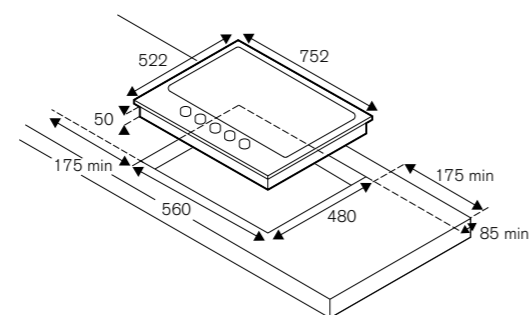
75cm gas hob, central dual wok

Features

- 5 aluminum gas burners
- 4kw central dual wok
- cast iron pan supports
- metal finish knobs
- one hand ignition
- flame failure device
- standard cut-out size
- stainless steel or matt black finishes

Optional Accessories

- 901438 simmer ring
- 901439 wok ring



P755CMODNE
black

P604MODX

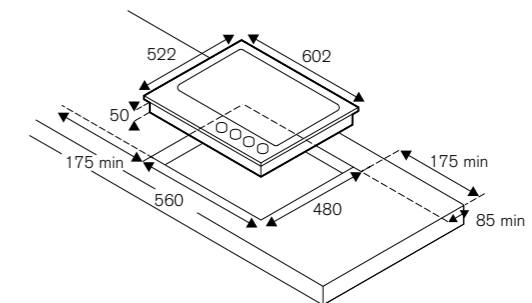
60cm gas hob

Features

- 4 aluminum gas burners
- cast iron pan supports
- metal finish knobs
- one hand ignition
- flame failure device
- standard cut-out size
- stainless steel or matt black finishes

Optional Accessories

- 901438 simmer ring
- 901439 wok ring



P604MODNE
black

Heritage Series

P905CHERNE
90cm gas hob, central dual wok

Features

- 5 brass gas burners
- 5kw central dual wok
- cast iron pan supports
- metal knobs
- one hand ignition
- flame failure device
- standard cut-out size
- black enamelled steel or avorio enamel finishes

Optional Accessories

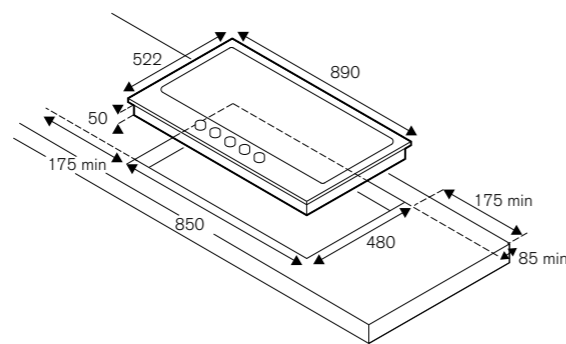
- 901438 simmer ring
- 901439 wok ring



P905CHERAX
avorio / stainless steel



P905CHERAC
avorio / copper



Heritage Series

P755CHERNE
75cm gas hob, central dual wok

Features

- 5 aluminum gas burners
- 4kw central dual wok
- cast iron pan supports
- metal finish knobs
- one hand ignition
- flame failure device
- standard cut-out size
- black enamelled steel or avorio enamel finishes

Optional Accessories

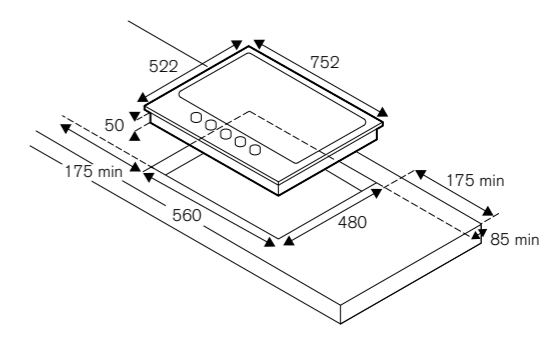
- 901438 simmer ring
- 901439 wok ring



P755CHERAX
avorio / stainless steel



P755CHERAC
avorio / copper



P905LHERNE
90cm gas hob, lateral dual wok

Features

- 5 brass gas burners
- 5kw lateral dual wok
- cast iron pan supports
- metal knobs
- one hand ignition
- flame failure device
- standard cut-out size
- black enamelled steel or avorio enamel finishes

Optional Accessories

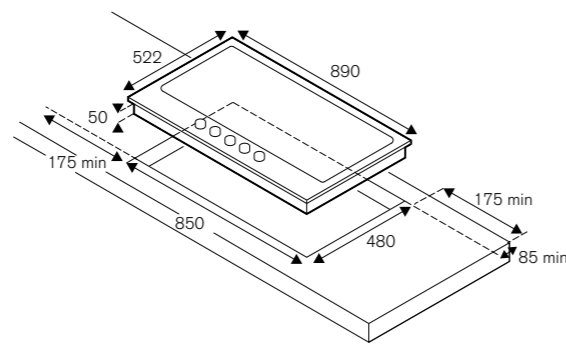
- 901438 simmer ring
- 901439 wok ring



P905LHERAX
avorio / stainless steel



P905LHERAC
avorio / copper



P604LHERNE
60cm gas hob, lateral dual wok

Features

- 4 brass gas burners
- 4kw lateral dual wok
- cast iron pan supports
- metal knobs
- one hand ignition
- flame failure device
- standard cut-out size
- black enamelled steel or avorio enamel finishes

Optional Accessories

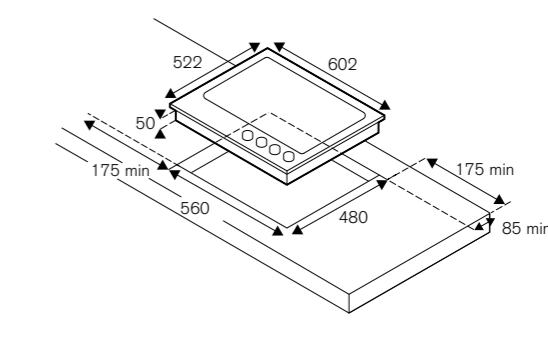
- 901438 simmer ring
- 901439 wok ring



P604LHERAX
avorio / stainless steel



P604LHERAC
avorio / copper



Heritage Series

P604HERNE

60cm gas hob, lateral dual wok

Features

- 4 brass gas burners
- cast iron pan supports
- metal knobs
- one hand ignition
- flame failure device
- standard cut-out size
- black enamelled steel or avorio enamel finishes

Optional Accessories

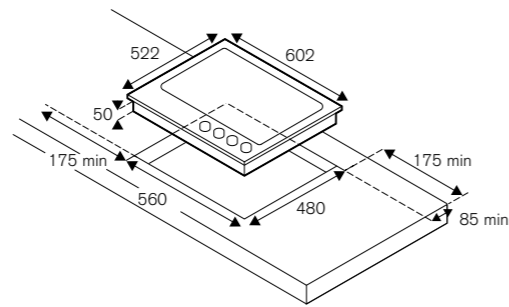
- 901438 simmer ring
- 901439 wok ring



P604HERAX
avorio / stainless steel



P604HERAC
avorio / copper



Segmented Hobs

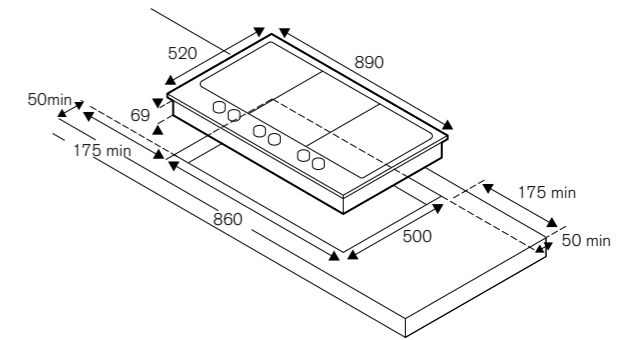
Professional Series

PM36500X

90cm segmented hob, central dual wok

Features

- 5 brass gas burners
- 5kw central dual wok
- cast iron pan supports
- metal knobs
- one hand ignition
- flame failure device
- wok ring
- simmer ring
- stainless steel finishes

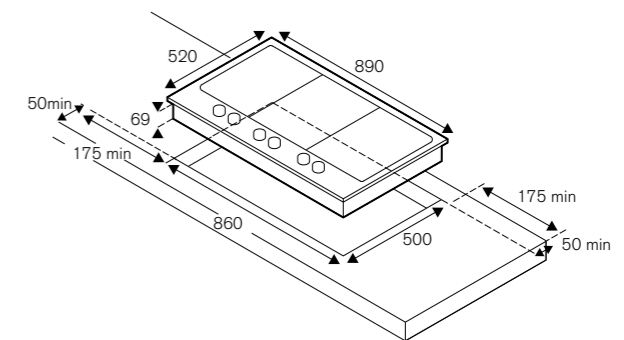


PM365S0X

90cm segmented hob, lateral dual wok

Features

- 5 brass gas burners
- 5kw lateral dual wok
- cast iron pan supports
- metal knobs
- one hand ignition
- flame failure device
- wok ring
- simmer ring
- stainless steel finishes



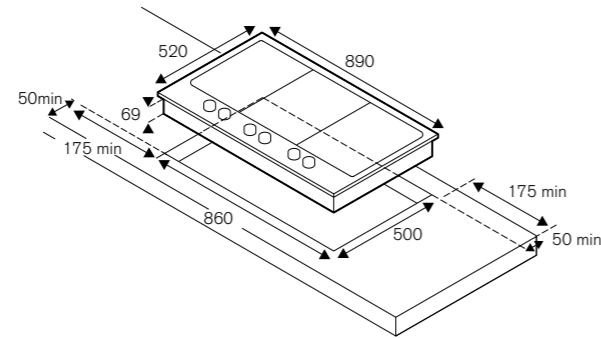
Professional Series

PM3630GX

90cm segmented hob, 3 burners 1 griddle

Features

- 3 brass gas burners
- 5kw lateral dual wok
- electric griddle
- cast iron pan supports
- metal knobs
- one hand ignition
- flame failure device
- wok ring
- simmer ring
- stainless steel finishes



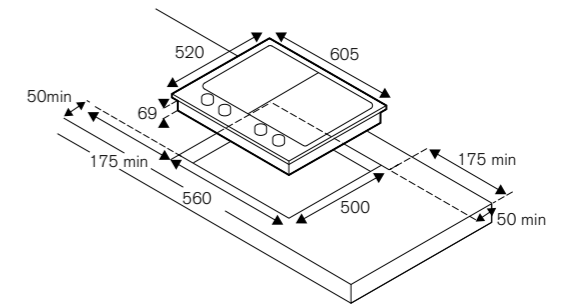
Professional Series

PM6030X

60cm segmented hob, 3 burners

Features

- 4 brass gas burners
- 5kw lateral dual wok
- cast iron pan supports
- metal knobs
- one hand ignition
- flame failure device
- wok ring
- simmer ring
- stainless steel finishes

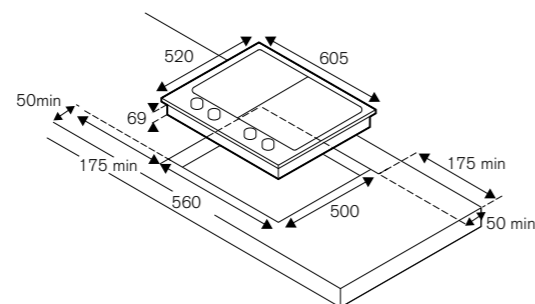


PM6040X

60cm segmented hob, 4 burners

Features

- 4 brass gas burners
- cast iron pan supports
- metal knobs
- one hand ignition
- flame failure device
- wok ring
- simmer ring
- stainless steel finishes



Rangetop

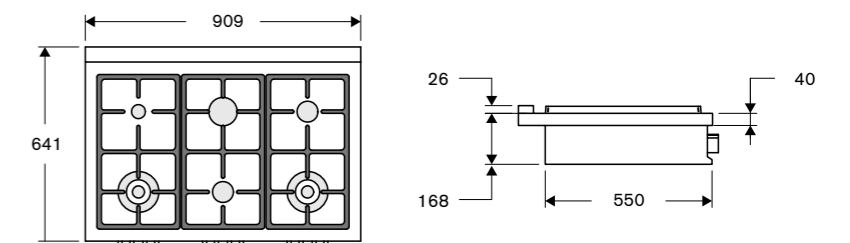
Professional Series

RT366PROX

92cm segmented hob, 3 burners

Features

- 6 brass gas burners
- 5kw lateral dual wok
- cast iron pan supports
- metal knobs
- one hand ignition
- flame failure device
- wok ring
- simmer ring
- stainless steel finishes



Cookers

Bertazzoni Range Cookers offer best-in-class versatility, capacity and performance. Available in the Professional, Master and Heritage Series, you can choose from wide range of striking and sophisticated colours and finishes. Ranging from 60cm to 120cm, the extra-large oven design features dual fan convection for optimal heat distribution and faster heat-up times. The flexible multi-function electric oven has 11 programmes to create excellent results every time with precise temperature control between 40°C and 250°C. A full-width powerful electric grill offers searing and grilling over a large surface area.

Safety and ease of use are built-in with top-end models offering heavy duty shelves and telescopic glides and cool touch, triple glass insulated oven door, which also increases energy efficiency. The gas worktops feature high quality brass burners add to the precision and control and a versatile dual wok ring. The seamless one-piece stainless steel top design makes cleaning simple. The induction hobs heat up rapidly and are highly efficient, with just 10% energy loss.

In this section

- Induction Cookers
- Electric oven, gas worktop cookers



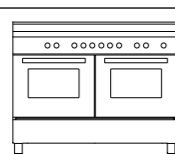
Induction Cookers

Bertazzoni electric ovens with induction tops are available in 60cm to 120cm models. These versatile and flexible multi-function electric ovens have 11 programmes including non-convection baking, convection, combined convection and grill. The digital programmer lets you set up the oven perfectly for any recipe and the food probe constantly monitors the temperature at the heart of a dish for perfect results. There are non-convection programmes for traditional baking and recipes that need slow cooking. The fan-assisted programmes offer even heat distribution for single and multi-level roasting and baking with no flavour cross-over. Heavy-duty shelves on telescopic glides make it easy to take hot dishes out of the oven. The triple-glazed, cool touch door saves energy and helps avoid accidental burns.

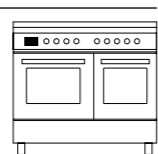
The induction hob is sleek and smart with large, clear control knobs for intuitive operation. The large cooking area is free of controls, so there is lots of space for big pots and pans. Heating up rapidly, it is highly efficient. A booster function allows extra fast boiling and the smooth glass surface is fast-cooling for safety. The glass is easy to clean when you've finished cooking.

Induction

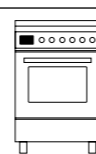
120cm double oven
5 induction zones
Professional Series



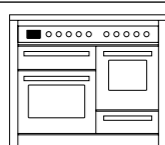
100 cm double oven
5 induction zones
Professional, Master and Heritage Series



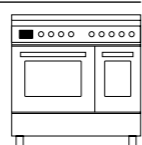
60 cm
4 induction zones
Professional, Master Series



110cm triple oven
5 induction zones
Professional, Master Series

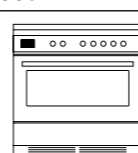


90 cm double oven
5 induction zones
Professional, Master and Heritage Series

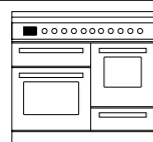


Induction with integrated hood

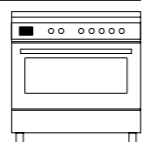
90cm
4 zones and central hood
Professional Series



100 cm triple oven
5 induction zones
Professional, Master and Heritage Series



90 cm single oven
5 induction zones
Professional, Master and Heritage Series



High speed heating

Induction zones heat up very quickly, making them effective and energy efficient.

Integrated Hood

Integrated ventilation, available in suction or filtering mode. 10 speed settings and automatic control. 100% safe against water spillage.

Easy to clean

The sleek glass top has no controls and is very easy to clean.

Cool Touch Work Surface

Intelligent technology makes the induction cooktop safe during and after use.

Professional Digital Programmer

Digital programmer for a perfect control of your cooking. Including 11 functions and digital food probe management, for best cooking results.

Knob-controlled induction top

The large control knobs are intuitive and precise.

Food temperature probe

Accurately monitor the temperature at heart of dish for perfect results every time.

Cool touch oven door

Triple-glazed and insulated, the oven door is safe and saves energy.

Induction cookers with integrated hoods

Distinctive Design

Hood grid designed by Studio Cometti V12 and developed by our engineers. It combines the best performances with brand iconic style featuring the brass cap with Bertazzoni logo.



Integrated Hood

Integrated ventilation, available in suction or filtering mode. 10 speed settings and automatic control. 100% safe against water spillage.

Regenerable filters

Long Life Charcoal filters can be regenerated into the Oven.



Induction cookers

Induction Zones

Induction hobs heat up rapidly and are highly efficient with just 10% of energy loss. There is also a booster function for extra-fast boiling. Smart power routing software means you can use all 5 induction elements on your cooker at the same time, even if you are using the oven for baking or roasting. The cool touch worktop design means only the area under pan heats up for safety and efficiency.

Digital Food Probe *

This digital thermostat and user interface make cooking a large variety of dishes at exactly the right temperature simple. Constantly monitoring the temperature at the heart of the dish, it automatically adjusts the oven temperature for even cooking and perfect results every time.

*only Professional Series

Professional Digital Programmer *

The clear display makes it easy to choose the correct timer programme from up to 11 options. It also controls and monitors the digital food probe for perfectly cooked dishes again and again.

*only Professional Series

Knob Controlled Induction

The elegant induction worktop is not cluttered by controls. The heating zones are controlled by large clear control knobs that are simple and precise to use.



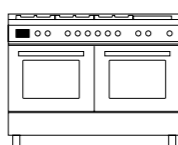
Electric Oven and Gas Worktop Cookers

Available in 60cm to 120cm version, these highly controllable cookers offer great versatility with gas cooktop and oven, and 11 programmes for non-convection baking, convection, combined convection and grill. A precise digital programmer and food probe monitor and control each dish between 40°C and 250°C for perfect results.

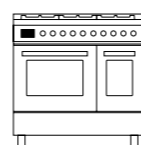
Fan assisted cooking offers even heat distribution for single and multilevel roasting and baking. Cook at lower temperatures without losing flavour or nutrients, with no flavour crossover. For traditional baking, breadmaking and pizza, the oven is designed to heat up quickly. Heavy duty shelves on telescopic slides make it safer and easier to move hot dishes. The cool touch door is triple-glazed for safety and to improve insulation.

The one-piece stainless steel gas top is equally beautifully designed, with no screws or holes for easy cleaning. Solid brass burners let you adjust the flame in very small increments, for precision control. The large worktop has space for everything from a milk pan to a wok. The versatile dual control wok burner lets you work from a simmer to full temperature for stir-frying.

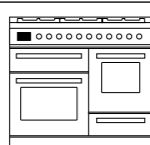
120cm double oven
6 brass burners and griddle
Professional, Heritage Series



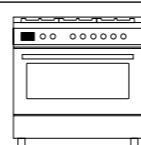
90 cm double oven
6 or 5 brass burners
Professional, Master
and Heritage Series



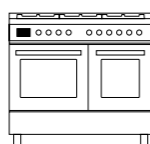
100 cm and 110 cm triple oven
6 brass burners
Professional, Master
and Heritage Series



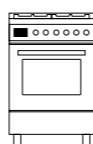
90 cm single oven
6 or 5 brass burners
Professional, Master
and Heritage Series



100cm double oven
6 brass burners
Professional, Master
and Heritage Series



60 cm
4 brass burners
Professional, Master Series



Programmable timer and food probe *

Constant temperature monitoring of dishes for perfect results

* only Professional Series

Electric griddle

Rapid heating and improved heat distribution deliver more control and even cooking

Safe and easy to use

The soft closing cool touch door is triple-glazed for safety and improved insulation

Extra storage

Hidden soft closing drawer acts as a useful storage compartment

Heavy duty oven shelves with telescopic slides *

Makes removing hot dishes safer and easier than ever

* only Professional Series

Choice of finishes

Pick from stainless steel finish and 6 glossy colours

Multi-function oven

Choose from up to 11 settings to achieve the best results for every dish

Electric Oven Gas Worktop

Colours

Choose from a range of colours to complement your kitchen design. Pick from 6 breathtaking glossy colours inspired by the paintwork on Italian sports cars or 4 matt colours in our classic, elegant Texture paint for a sophisticated, hard-wearing look.



Convenience and Safety Features

All Bertazzoni ovens have a variety of convenience and safety features designed-in to make using them a pleasure. Heavy-duty wire shelves with telescopic glides are strong, safer and easier to use when removing hot and heavy pots from the oven. The interior features lateral illumination so you can see every level of the oven without opening the door.



Food Probe *

This digital thermostat and user interface make it simple to cook dishes at exactly the right temperature. It constantly monitors the temperature at the heart of the dish and adjusts the temperature automatically for perfect, even cooking.

*only Professional Serie

High Power Electric Griddle

The stainless-steel griddle is designed to heat up super-fast to cook a wide variety of ingredients to perfection. This makes it easy to prepare and serve the perfect pancakes, prawns, hamburgers or bacon.



Smooth Closing and Cool Touch

Soft-motion oven doors are specially designed for easy opening and smooth closing, making one-handed operation easier and giving a safer operation. Cool touch oven door is insulated for safety and energy saving, helping avoid accidental burns. The removable triple glass inner door makes cleaning easy.



Precise Control *

The electronic oven functions give you very precise control between temperatures of 40°C and 250°C. Fan assisted cooking offers even heat distribution for single and multilevel roasting and baking or traditional baking, breadmaking and pizza. Programme and monitor the temperature at the heart of the dish for best results.

*only Professional Series



Multi-Function Oven

Choose from up to 11 versatile and flexible oven programmes. Makes cooking for big groups of family or friends easy with fast and efficient multi-level cooking with no flavour cross-over. Single, double or triple oven configurations available.



Induction

120 double oven

110/100 triple oven

100 double oven

Professional Series



PRO125I2EXT

XT NET BIT GIT ART ROT



PRO115I3EXT - PRO105I3EXT

XT NET BIT GIT ART ROT CAT



PRO105I2EXT

XT NET BIT GIT ART ROT CAT

Master Series



MAS115I3EXT

XT NET



MAS105I3EXT

XT NET



MAS105I2EXT

XT NET

Heritage Series



HER105I3ENET

NET AVT



HER105I2ENET

NET AVT

90 double oven

90 single oven

60 single oven



PRO95I2EXT

XT NET BIT GIT ART ROT CAT



PRO95I1EXT

XT NET BIT GIT ART ROT CAT



PRO64I1EXT

XT NET BIT GIT ART ROT



MAS95I2EXT

XT NET



MAS95I1EXT

XT NET



HER95I2ENET

NET AVT



HER95I1ENET

NET AVT

Induction with integrated hood

90

Professional Series

NEW



PROCH94I1EXT

XT NET BIT GIT ART ROT CAT

**Electric Oven,
Gas Worktop**

120 double oven

110/100 triple oven

100 double oven

Professional Series



PRO126G2EXT



PRO116L3EXT - PRO106L3EXT



PRO106L2EXT



Master Series



MAS126G2EXT



MAS116L3EXC - MAS106L3EXC



MAS106L2EXC



Heritage Series



HER126G2ENET



HER106L3ENET



HER106L2ENET



90 double oven

90 single oven

60 single oven

Professional Series



PRO96L2EXT



PRO96L1EXT



PRO64L1EXT



Master Series



MAS95C2EXC



MAS95C1EXC



MAS64L1EXC



Heritage Series



HER96L2ENET



HER96L1ENET



Induction with integrated hood

Professional Series

NEW



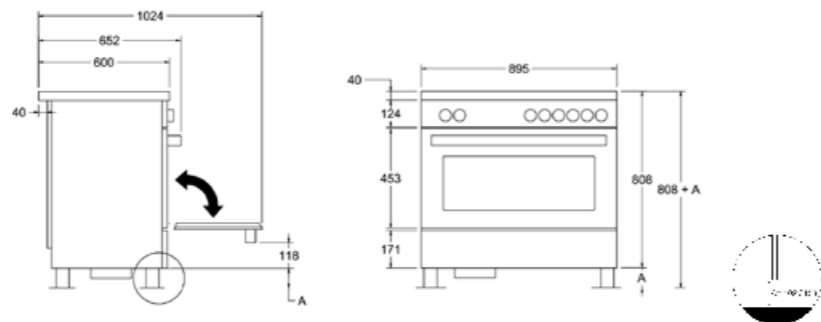
PROCH9411EXT Air-Tec
90cm 4 induction zones with integrated hood, electronic oven, stainless steel

- Features**
- 4 induction zones with 2 flex zones
 - 4 zones 200x210mm, 3000W (booster)
 - Metal knobs
 - Multifunction electric oven 11 settings with electric grill
 - Oven volume 105L
 - Digital programmer with food probe
 - Integrated ventilation, available in suction or filtering mode
 - 10 speed settings and automatic control
 - Overflow security
 - Recirculating or vented out
 - 1 telescopic glide shelf, 1 baking tray, 2 wire shelves, 1 grill mesh, 2 lights
 - Hood max extraction power 600 m³/h

- Oven functions**
-

- Optional Accessories**
- RK91PRORR1CA Recirculation kit and carbon toekick panel
 - RK91PRORR1X Recirculation kit and stainless steel toekick panel

Energy rating **A**



Induction

Professional Series

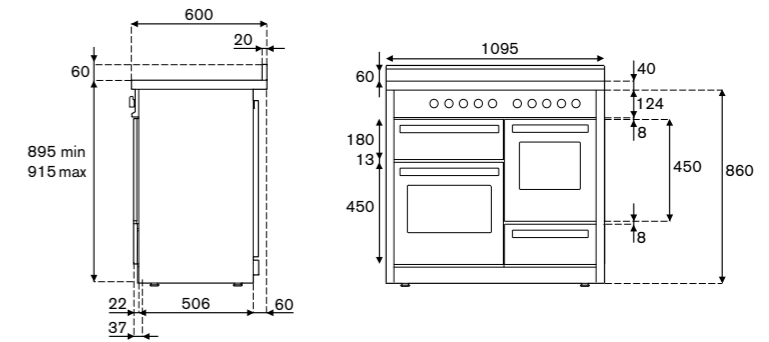
PRO115I3EXT
110cm 5 induction zones, electric triple oven

- Features**
- 5 induction zones
 - 2 zones Ø 16cm / 1100W - 1400W (booster), 1 zone Ø 23cm / 2300W-3000W (booster)
 - 1 zone Ø20cm / 1400W - 2000W (booster), 1 zone Ø20cm / 2300W-3000W (booster)
 - metal finishes knobs
 - electric oven 11 functions
 - main oven volume 69 L, auxiliary oven volume 54 L, third 24 L
 - digital programmer with food probe
 - 1 telescopic glide shelf, 1 baking tray, 2 wire shelves, 1 grill mesh, 1 light
 - soft closing oven door with inner triple removable glass
 - soft closing drawer

- Functions (main oven)**
-

- Functions (auxiliary oven)**
-

Energy rating **A**



PRO125I2EXT
120cm 5 induction zones, electric double oven

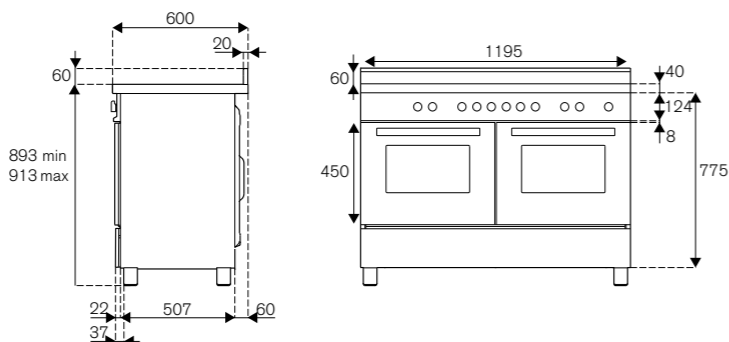
- Features**
- 5 induction zones
 - 2 zones Ø 16cm / 1100W - 1400W (booster), 1 zone Ø 23cm / 2300W-3000W (booster)
 - 1 zone Ø20cm / 1400W - 2000W (booster), 1 zone Ø20cm / 2300W-3000W (booster)
 - metal finishes knobs
 - electric oven 11 functions
 - main oven volume 69 L, auxiliary oven volume 69 L
 - digital programmer with food probe
 - 1 telescopic glide shelf, 1 baking tray, 2 wire shelves, 1 grill mesh, 1 light (each cavity)
 - soft closing oven door with inner triple removable glass
 - soft closing drawer

- Functions (main oven)**
-

- Functions (auxiliary oven)**
-

- Optional Accessories**
- 901368 splash back
 - 901456 legs kit H100-135mm
 - 901483 3-sides toekick panel

Energy rating **A**



PRO105I3EXT
100cm 5 induction zones, electric triple oven

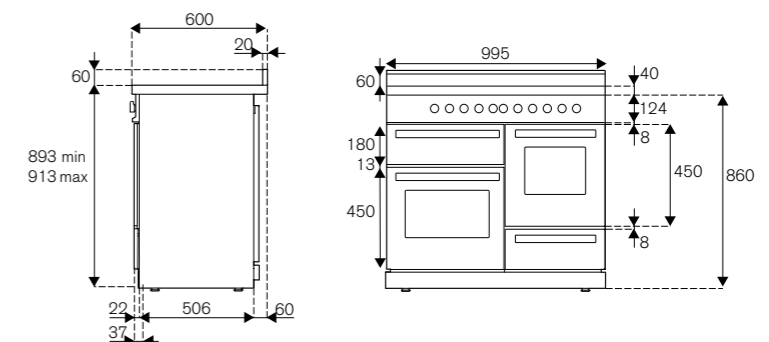
- Features**
- 5 induction zones
 - 2 zones Ø 16cm / 1100W - 1400W (booster), 1 zone Ø 23cm / 2300W-3000W (booster)
 - 1 zone Ø20cm / 1400W - 2000W (booster), 1 zone Ø20cm / 2300W-3000W (booster)
 - metal finishes knobs
 - electric oven 11 functions
 - main oven volume 69 L, auxiliary oven volume 54 L, third 24 L
 - digital programmer with food probe
 - 1 telescopic glide shelf, 1 baking tray, 2 wire shelves, 1 grill mesh, 1 light
 - soft closing oven door with inner triple removable glass
 - soft closing drawer

- Functions (main oven)**
-

- Functions (auxiliary oven)**
-

- Optional Accessories**
- 901356 3-sides toekick panel carbonio
 - 901367 splash back
 - 901482 3-sides toekick panel

Energy rating **A**



Professional Series



PRO105I2EXT

100cm 5 induction zones, electric double oven

Features

- 5 induction zones
- 2 zones Ø 16cm / 1100W - 1400W (booster), 1 zone Ø 23cm / 2300W-3000W (booster)
- 1 zone Ø20cm / 1400W - 2000W (booster), 1 zone Ø20cm / 2300W-3000W (booster)
- metal finishes knobs
- electric oven 11 functions
- main oven volume 69 L, auxiliary oven volume 54 L
- digital programmer with food probe
- 1 telescopic glide shelf, 1 baking tray, 2 wire shelves, 1 grill mesh, 1 light
- soft closing oven door with inner triple removable glass
- soft closing drawer
- stainless steel legs

Functions (main oven)



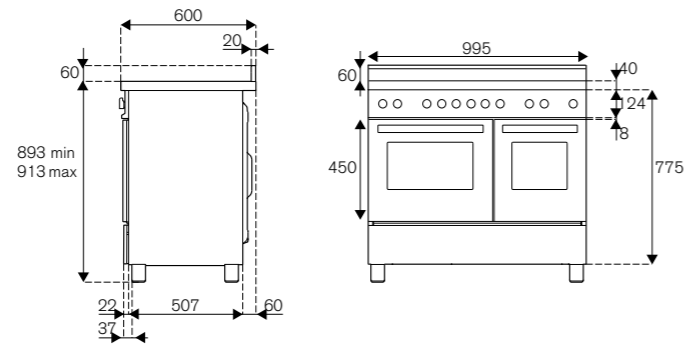
Functions (auxiliary oven)



Optional Accessories

- 901356 3-sides toekick panel carbonio
- 901367 splash back
- 901456 stainless steel legs H100-135mm
- 901482 3-sides toekick panel

Energy rating **A**



PRO105I2ENET

PRO105I2EBIT



PRO105I2EGIT



PRO105I2EART



PRO105I2EROT



PRO105I2ECAT

Professional Series



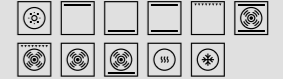
PRO95I1EXT

90cm 5 induction zones, electric oven

Features

- 5 induction zones
- 2 zones Ø 16cm / 1100W - 1400W (booster), 1 zone Ø 23cm / 2300W-3000W (booster)
- 1 zone Ø20cm / 1400W - 2000W (booster), 1 zone Ø20cm / 2300W-3000W (booster)
- metal finishes knobs
- electric oven 11 functions
- oven volume 103 L
- digital programmer with food probe
- 1 telescopic glide shelf, 1 baking tray, 2 wire shelves, 1 grill mesh, 1 light
- soft closing oven door with inner triple removable glass
- soft closing drawer
- stainless steel legs

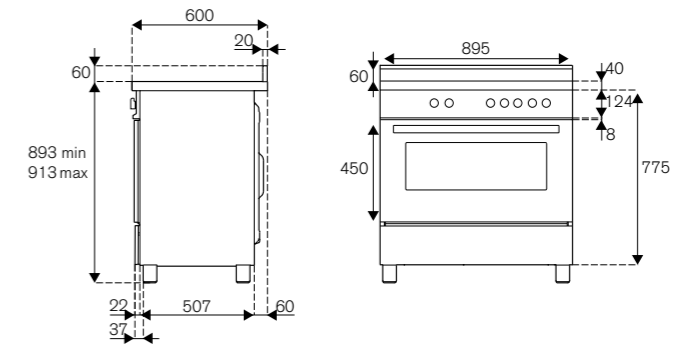
Oven functions



Optional Accessories

- 901348 splash back
- 901355 3-sides toekick panel carbonio
- 901456 stainless steel legs H100-135mm
- 901481 3-sides toekick panel

Energy rating **A**



PRO95I1ENET

PRO95I1EBIT



PRO95I1EGIT



PRO95I1EART



PRO95I1EROT



PRO95I1ECAT



PRO95I2EXT

90cm 5 induction zones, electric double oven

Features

- 5 induction zones
- 2 zones Ø 16cm / 1100W - 1400W (booster), 1 zone Ø 25cm / 2300W-3000W (booster)
- 1 zone Ø20cm / 1400W - 2000W (booster), 1 zone Ø20cm / 2300W-3000W (booster)
- metal finishes knobs
- electric oven 11 functions
- main oven volume 69 L, auxiliary oven volume 38 L
- digital programmer with food probe
- 1 telescopic glide shelf, 1 baking tray, 2 wire shelves, 1 grill mesh, 1 light
- soft closing oven door with inner triple removable glass
- soft closing drawer

Functions (main oven)



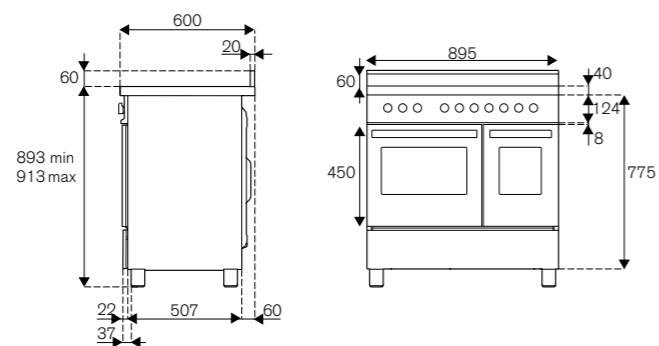
Functions (auxiliary oven)



Optional Accessories

- 901348 splash back
- 901355 3-sides toekick panel carbonio
- 901456 stainless steel legs H100-135mm
- 901481 3-sides toekick panel

Energy rating **A**



PRO95I2ENET

PRO95I2EBIT



PRO95I2EGIT



PRO95I2EART



PRO95I2EROT



PRO95I2ECAT

PRO64I1EXT

60cm 4 induction zones, electric oven

Features

- 4 induction zones
- 3 zones Ø 18cm / 1850W - 3000W (booster)
- 1 zone Ø21cm / 2300W - 3700W (booster)
- metal finishes knobs
- electric oven 11 functions with gas grill
- oven volume 69 L
- digital programmer with food probe
- 1 telescopic glide shelf, 1 baking tray, 2 wire shelves, 1 grill mesh, 1 light
- soft closing oven door with inner triple removable glass
- soft closing drawer

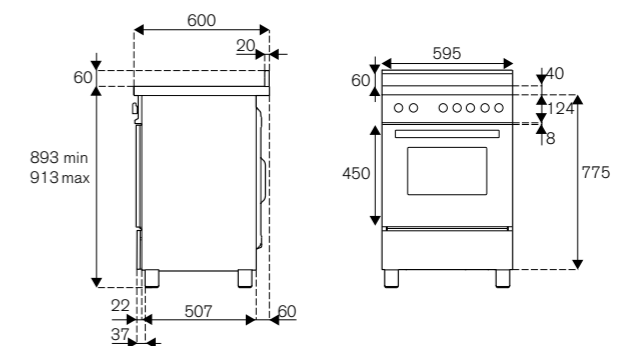
Oven functions



Optional Accessories

- 901347 splash back
- 901389 3-sides toekick panel carbonio
- 901456 stainless steel legs H100-135mm

Energy rating **A**



PRO64I1ENET

PRO64I1EBIT



PRO64I1EGIT



PRO64I1EART



PRO64I1EROT

Master Series



MAS115I3ENET

MAS115I3EXT

110cm 5 induction zones, electric triple oven

Features

- 5 induction zones
- 2 zones Ø 16cm / 1100W - 1400W (booster), 1 zone Ø 23cm / 2300W-3000W (booster)
- 1 zone Ø20cm / 1400W - 2000W (booster), 1 zone Ø20cm / 2300W-3000W (booster)
- metal knobs
- electric oven 11 functions
- main oven volume 69 L, auxiliary oven volume 54 L, third 24 L
- thermometer
- 1 telescopic glide shelf, 1 baking tray, 2 wire shelves, 1 grill mesh, 1 light
- inner triple removable glass
- storage compartment

Energy rating **A**

Functions (main oven)

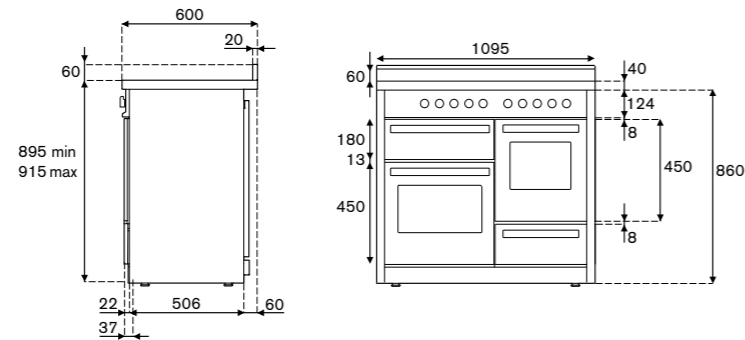


Functions (auxiliary oven)



Optional Accessories

- 901367 splash back



Master Series



MAS105I2ENET

MAS105I2EXT

100cm 5 induction zones, electric double oven

Features

- 5 induction zones
- 2 zones Ø 16cm / 1100W - 1400W (booster), 1 zone Ø 23cm / 2300W-3000W (booster)
- 1 zone Ø20cm / 1400W - 2000W (booster), 1 zone Ø20cm / 2300W-3000W (booster)
- metal knobs
- electric oven 11 functions
- main oven volume 69 L, auxiliary oven volume 54 L
- thermometer
- 1 telescopic glide shelf, 1 baking tray, 2 wire shelves, 1 grill mesh, 1 light
- inner triple removable glass
- storage compartment
- stainless steel legs

Energy rating **A**

Functions (main oven)

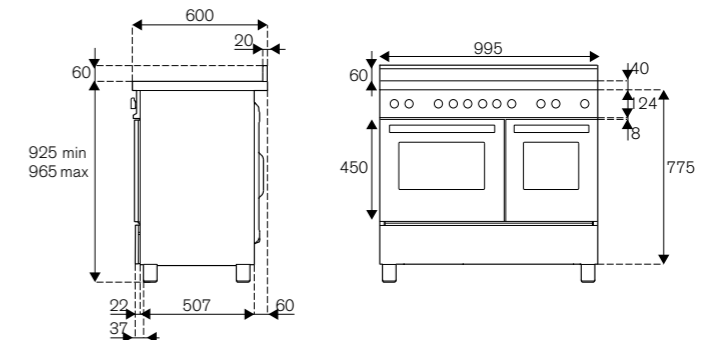


Functions (auxiliary oven)



Optional Accessories

- 901367 splash back
- 901482 3-sides toekick panel
- TK100MAS 3-sides toekick panel



MAS105I3ENET

MAS105I3EXT

100cm 5 induction zones, electric triple oven

Features

- 5 induction zones
- 2 zones Ø 16cm / 1100W - 1400W (booster), 1 zone Ø 23cm / 2300W-3000W (booster)
- 1 zone Ø20cm / 1400W - 2000W (booster), 1 zone Ø20cm / 2300W-3000W (booster)
- metal knobs
- electric oven 11 functions
- main oven volume 69 L, auxiliary oven volume 54 L, third 24 L
- thermometer
- 1 telescopic glide shelf, 1 baking tray, 2 wire shelves, 1 grill mesh, 1 light
- inner triple removable glass
- storage compartment

Energy rating **A**

Functions (main oven)

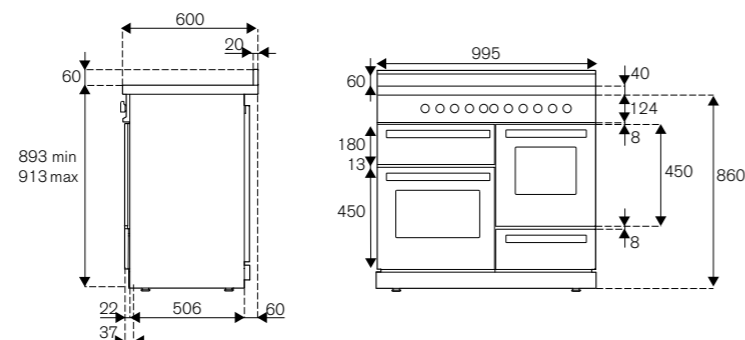


Functions (auxiliary oven)



Optional Accessories

- 901367 splash back
- 901482 3-sides toekick panel
- TK100MAS 3-sides toekick panel



MAS95I2ENET

MAS95I2EXT

90cm 5 induction zones, electric double oven

Features

- 5 induction zones
- 2 zones Ø 16cm / 1100W - 1400W (booster), 1 zone Ø 23cm / 2300W-3000W (booster)
- 1 zone Ø20cm / 1400W - 2000W (booster), 1 zone Ø20cm / 2300W-3000W (booster)
- metal knobs
- electric oven 11 functions
- main oven volume 69 L, auxiliary oven volume 38 L
- thermometer
- 1 telescopic glide shelf, 1 baking tray, 2 wire shelves, 1 grill mesh, 1 light
- inner triple removable glass
- storage compartment
- stainless steel legs

Energy rating **A**

Functions (main oven)

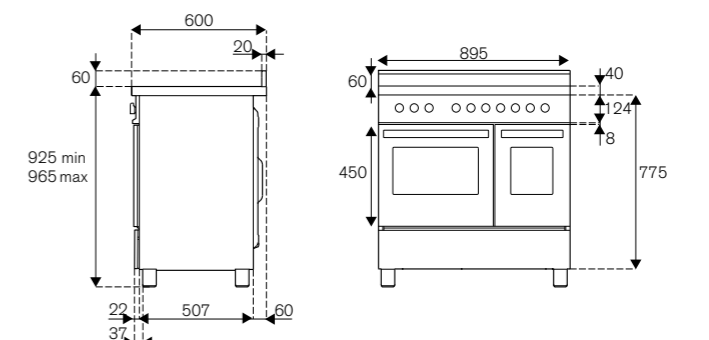


Functions (auxiliary oven)



Optional Accessories

- 901348 splash back
- 901456 stainless steel legs
- H100-135mm 3-sides toekick panel
- 901481 3-sides toekick panel
- TK90MAS 3-sides toekick panel



Master Series



MAS95I1ENET

MAS95I1EXT

90cm 5 induction zones, electric oven

Features

- 5 induction zones
- 2 zones Ø 16cm / 1100W - 1400W (booster), 1 zone Ø 23cm / 2300W-3000W (booster)
- 1 zone Ø20cm / 1400W - 2000W (booster), 1 zone Ø20cm / 2300W-3000W (booster)
- metal knobs
- electric oven 11 functions
- oven volume 103 L
- thermometer
- 1 telescopic glide shelf, 1 baking tray, 2 wire shelves, 1 grill mesh, 1 light
- storage compartment
- stainless steel legs

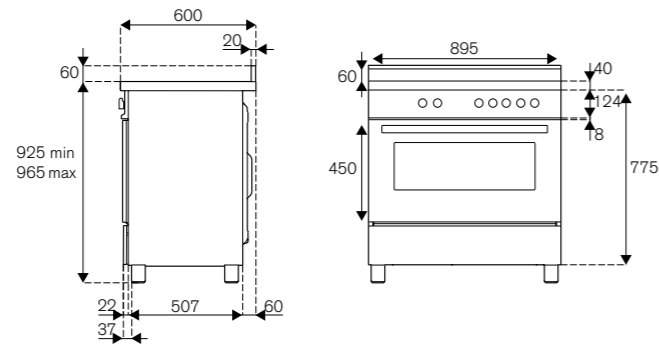
Oven functions



Optional Accessories

- 901348 splash back
- 901456 stainless steel legs H100-135mm
- 901481 3-sides toekick panel
- TK90MAS 3-sides toekick panel

Energy rating **A**



Heritage Series



HER105I3EAVT

HER105I3ENET

100cm 5 induction zones, electric triple oven

Features

- 5 induction zones
- 2 zones Ø 16cm / 1100W - 1400W (booster), 1 zone Ø 23cm / 2300W-3000W (booster)
- 1 zone Ø20cm / 1400W - 2000W (booster), 1 zone Ø20cm / 2300W-3000W (booster)
- metal finishes knobs
- electric oven 11 functions with gas grill
- main oven volume 69 L, auxiliary oven volume 54 L, third 24 L
- thermometer
- 1 telescopic glide shelf, 1 baking tray, 2 wire shelves, 1 grill mesh, 1 light
- soft closing oven door with inner triple removable glass
- soft closing drawer

Functions (main oven)

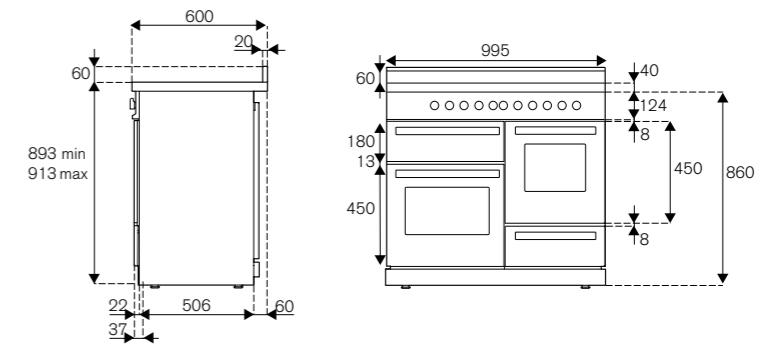


Functions (auxiliary oven)



Energy rating **A**

Optional Accessories
901367 splash back



HER105I2EAVT

HER105I2ENET

100cm 5 induction zones, electric double oven

Features

- 5 induction zones
- 2 zones Ø 16cm / 1100W - 1400W (booster), 1 zone Ø 23cm / 2300W-3000W (booster)
- 1 zone Ø20cm / 1400W - 2000W (booster), 1 zone Ø20cm / 2300W-3000W (booster)
- metal finishes knobs
- electric oven 11 functions with gas grill
- main oven volume 69 L, auxiliary oven volume 54 L
- thermometer
- 1 telescopic glide shelf, 1 baking tray, 2 wire shelves, 1 grill mesh, 1 light
- soft closing oven door with inner triple removable glass
- soft closing drawer
- stainless steel legs

Functions (main oven)

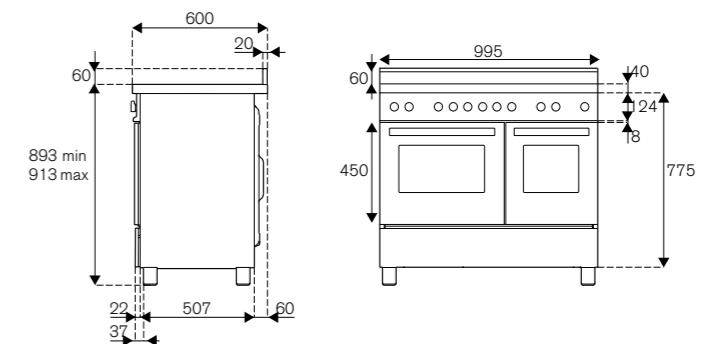


Functions (auxiliary oven)



Energy rating **A**

Optional Accessories
901367 splash back
901456 stainless steel legs H100-135mm
901482 3-sides toekick panel



Heritage Series



HER9512EAVT

HER9512ENET

90cm 5 induction zones, electric double oven

Features

- 5 induction zones
- 2 zones Ø 16cm / 1100W - 1400W (booster), 1 zone Ø 23cm / 2300W-3000W (booster)
- 1 zone Ø20cm / 1400W - 2000W (booster), 1 zone Ø20cm / 2300W-3000W (booster)
- metal knobs
- electric oven 11 functions with gas grill
- main oven volume 69 L, auxiliary oven volume 38 L
- thermometer
- 1 telescopic glide shelf, 1 baking tray, 2 wire shelves, 1 grill mesh, 1 light
- soft closing oven door with inner triple removable glass
- soft closing drawer
- stainless steel legs

Energy rating **A**

Functions (main oven)

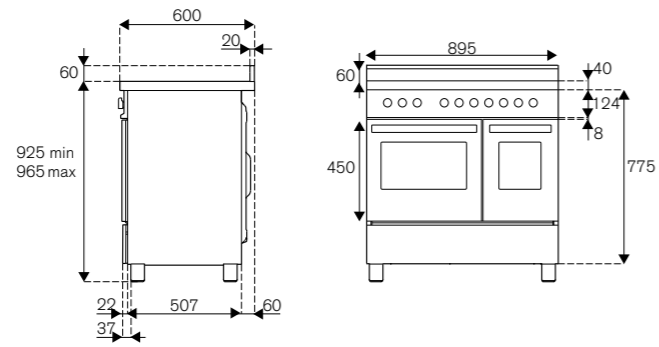


Functions (auxiliary oven)



Optional Accessories

- 901348 splash back
- 901456 stainless steel legs H100-135mm
- 901481 3-sides toekick panel



Electric Multifunction Oven



PRO126G2ENET



PRO126G2EBIT



PRO126G2EGIT



PRO126G2EART



PRO126G2EROT

Professional Series

PRO126G2EXT

120cm 6 burners + teppan yaki, electric double oven

Features

- 6 brass gas burners + 1 Teppan-Yaki griddle
- 5kw lateral dual wok
- metal finishes knobs
- cast iron pan supports
- electric oven 11 functions
- main oven volume 69 L, auxiliary oven volume 69 L
- digital programmer with food probe
- 1 telescopic glide shelf, 1 baking tray, 2 wire shelves, 1 grill mesh, 1 light
- soft closing oven door with inner triple removable glass
- soft closing drawer
- stainless steel legs

Energy rating **A**

Functions (main oven)

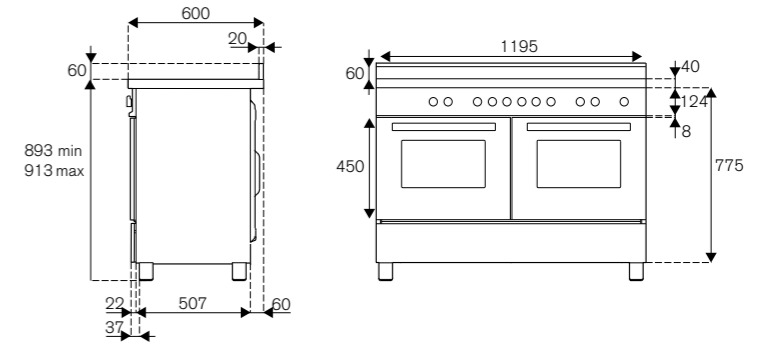


Functions (auxiliary oven)



Optional Accessories

- 901483 3-sides toekick panel
- 901368 splash back
- 901438 simmer ring
- 901439 wok ring
- PEN06 cast iron griddle
- 901456 legs kit H100-135mm



HER9511EAVT

HER9511ENET

90cm 5 induction zones, electric oven

Features

- 5 induction zones
- 2 zones Ø 16cm / 1100W - 1400W (booster), 1 zone Ø 25cm / 2300W-3000W (booster)
- 1 zone Ø20cm / 1400W - 2000W (booster), 1 zone Ø20cm / 2300W-3000W (booster)
- metal knobs
- electric oven 11 functions with gas grill
- oven volume 103 L
- thermometer
- 1 telescopic glide shelf, 1 baking tray, 2 wire shelves, 1 grill mesh, 1 light
- soft closing oven door with inner triple removable glass
- soft closing drawer
- stainless steel legs

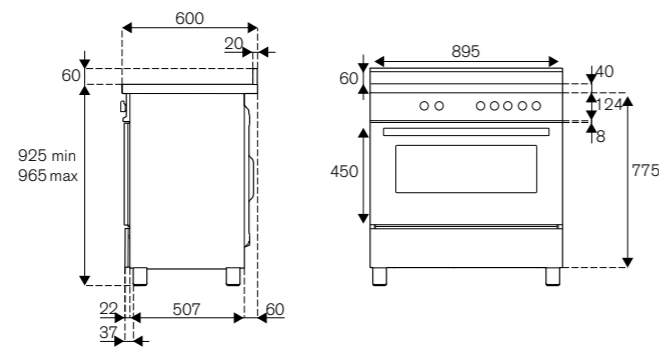
Energy rating **A**

Oven functions



Optional Accessories

- 901348 splash back
- 901456 stainless steel legs H100-135mm
- 901481 3-sides toekick panel



PRO116L3ENET



PRO116L3EBIT



PRO116L3EGIT



PRO116L3EART



PRO116L3EROT

PRO116L3EXT

110cm 6 burners, electric triple oven

Features

- 6 brass gas burners
- 5kw lateral dual wok
- metal finishes knobs
- cast iron pan supports
- electric oven 11 functions
- main oven volume 69 L, auxiliary oven volume 54 L, third 24 L
- digital programmer with food probe
- 1 telescopic glide shelf, 1 baking tray, 2 wire shelves, 1 grill mesh, 1 light
- soft closing oven door with inner triple removable glass
- soft closing drawer
- stainless steel legs

Energy rating **A**

Functions (main oven)

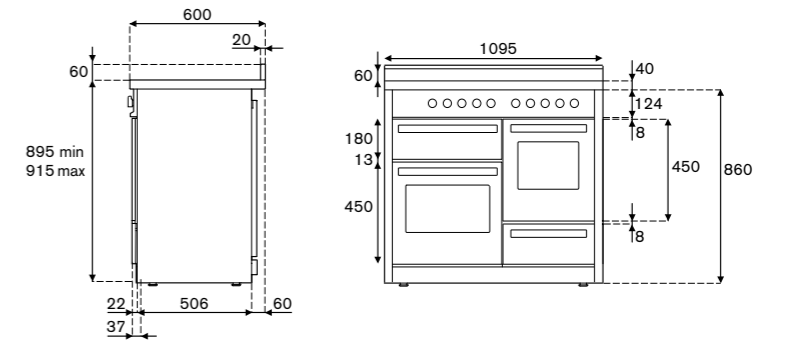


Functions (auxiliary oven)



Optional Accessories

- 901309 teppan-yaki griddle
- 901438 simmer ring
- 901439 wok ring
- PEN06 cast iron griddle



Professional Series



PRO106L3EXT
110cm 6 burners, electric triple oven

Features

- 6 brass gas burners
- 5kw lateral dual wok
- metal finishes knobs
- cast iron pan supports
- electric oven 11 functions
- main oven volume 69 L, auxiliary oven volume 54 L, third 24 L
- digital programmer with food probe
- 1 telescopic glide shelf, 1 baking tray, 2 wire shelves, 1 grill mesh, 1 light
- soft closing oven door with inner triple removable glass
- soft closing drawer

Functions (main oven)



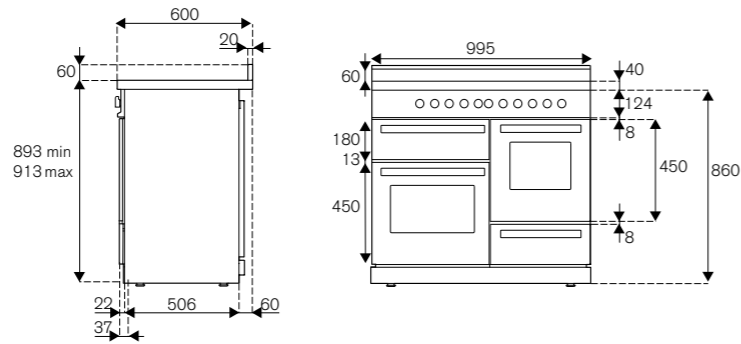
Functions (auxiliary oven)



Optional Accessories

- 901309 teppan-yaki griddle
- 901367 splash back
- 901439 wok ring
- PEN06 cast iron griddle

Energy rating **A**



PRO96L2EXT
90cm 6 burners, electric double oven

Features

- 6 brass gas burners
- 5kw lateral dual wok
- metal finishes knobs
- cast iron pan supports
- electric oven 11 functions
- main oven volume 69 L, auxiliary oven volume 38 L
- digital programmer with food probe
- 1 telescopic glide shelf, 1 baking tray, 2 wire shelves, 1 grill mesh, 1 light
- soft closing oven door with inner triple removable glass
- soft closing drawer
- stainless steel legs

Functions (main oven)



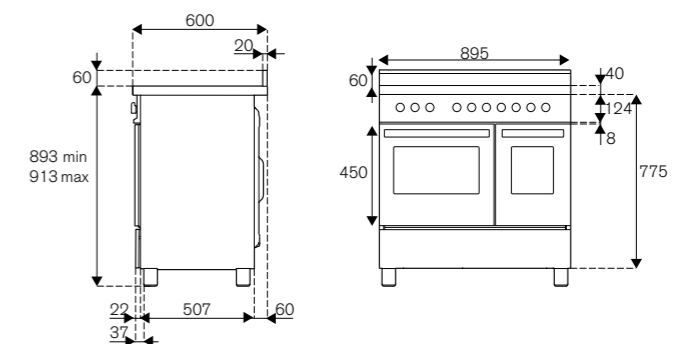
Functions (auxiliary oven)



Optional Accessories

- 901309 teppan-yaki griddle
- 901348 splash back
- 901438 simmer ring
- 901439 wok ring
- 901456 legs kit H100-135mm
- 901481 3-sides toekick panel
- PEN06 cast iron griddle

Energy rating **A**



PRO106L2EXT
100cm 6 burners, electric double oven

Features

- 6 brass gas burners
- 5kw lateral dual wok
- metal finishes knobs
- cast iron pan supports
- electric oven 11 functions
- main oven volume 69 L, auxiliary oven volume 54 L
- digital programmer with food probe
- 1 telescopic glide shelf, 1 baking tray, 2 wire shelves, 1 grill mesh, 1 light
- soft closing oven door with inner triple removable glass
- soft closing drawer
- stainless steel legs

Functions (main oven)



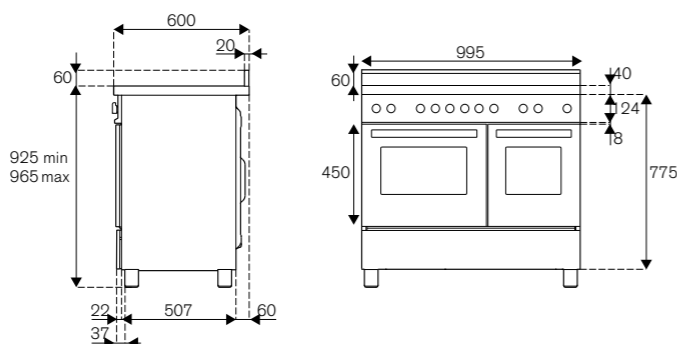
Functions (auxiliary oven)



Optional Accessories

- 901309 teppan-yaki griddle
- 901367 splash back
- 901438 simmer ring
- 901439 wok ring
- 901456 legs kit H100-135mm
- 901482 3-sides toekick panel
- PEN06 cast iron griddle

Energy rating **A**



PRO96L1EXT
90cm 6 burners, electric oven

Features

- 6 brass gas burners
- 5kw lateral dual wok
- metal finishes knobs
- cast iron pan supports
- electric oven 11 functions
- oven volume 103 L
- digital programmer with food probe
- 1 telescopic glide shelf, 1 baking tray, 2 wire shelves, 1 grill mesh, 1 light
- soft closing oven door with inner triple removable glass
- soft closing drawer
- stainless steel legs

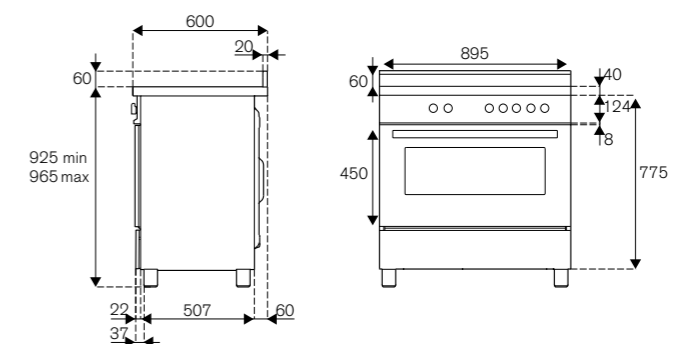
Oven functions



Optional Accessories

- 901309 teppan-yaki griddle
- 901348 splash back
- 901438 simmer ring
- 901439 wok ring
- 901456 legs kit H100-135mm
- 901481 3-sides toekick panel
- PEN06 cast iron griddle

Energy rating **A**



Professional Series

Master Series



PRO64L1EXT
60cm 4 burners, electric oven

Features

- 4 brass gas burners
- 5kw lateral dual wok
- metal finishes knobs
- cast iron pan supports
- electric oven 11 functions
- oven volume 69 L
- digital programmer with food probe
- 1 telescopic glide shelf, 1 baking tray, 2 wire shelves, 1 grill mesh, 1 light
- soft closing oven door with inner triple removable glass
- soft closing drawer

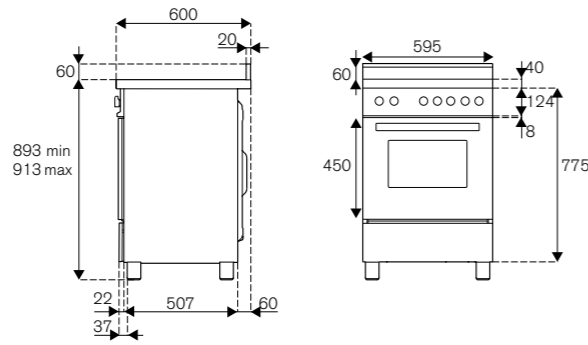
Oven functions



Optional Accessories

- 901347 splash back
- 901389 3-sides toekick panel
- 901438 simmer ring
- 901439 wok ring
- 901456 legs kit H100-135mm
- PEN06 cast iron griddle

Energy rating **A**



MAS116L3EXT
110cm 6 burners, electric triple oven

Features

- 6 brass gas burners
- 5kw lateral dual wok
- metal knobs
- cast iron pan supports
- electric oven 11 functions
- main oven volume 69 L, auxiliary oven volume 54 L, third 24 L
- thermometer
- 1 telescopic glide shelf, 1 baking tray, 2 wire shelves, 1 grill mesh, 1 light
- inner triple removable glass
- storage compartment

Functions (main oven)



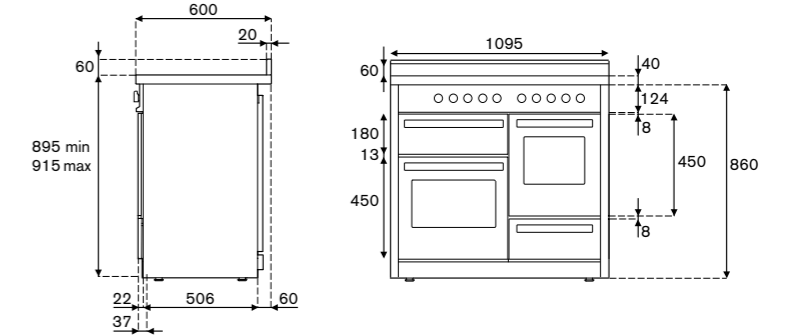
Functions (auxiliary oven)



Optional Accessories

- 901309 teppan-yaki griddle
- 901438 simmer ring
- 901439 wok ring
- PEN06 cast iron griddle

Energy rating **A**



Master Series

MAS106L3EXT
100cm 6 burners, electric triple oven

Features

- 6 brass gas burners
- 5kw lateral dual wok
- metal knobs
- cast iron pan supports
- electric oven 11 functions
- main oven volume 69 L, auxiliary oven volume 54 L, third 24 L
- thermometer
- 1 telescopic glide shelf, 1 baking tray, 2 wire shelves, 1 grill mesh, 1 light
- inner triple removable glass
- soft closing drawer

Functions (main oven)



Functions (auxiliary oven)



Optional Accessories

- 901309 teppan-yaki griddle
- 901367 splash back
- 901439 wok ring
- PEN06 cast iron griddle

Energy rating **A**



MAS126G2EXT
120cm 6 burners + teppan yaki, electric double oven

Features

- 6 brass gas burners + 1 Teppan-Yaki griddle
- 5kw lateral dual wok
- metal knobs
- cast iron pan supports
- electric oven 11 functions with gas grill
- main oven volume 69 L, auxiliary oven volume 69 L
- thermometer
- 1 telescopic glide shelf, 1 baking tray, 2 wire shelves, 1 grill mesh, 1 light
- soft closing oven door with inner triple removable glass
- soft closing drawer
- stainless steel legs

Functions (main oven)



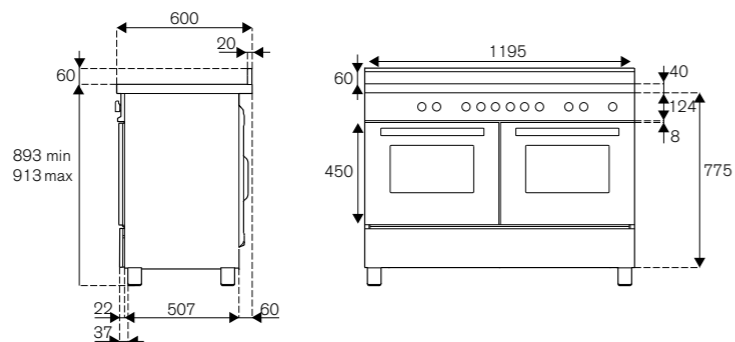
Functions (auxiliary oven)



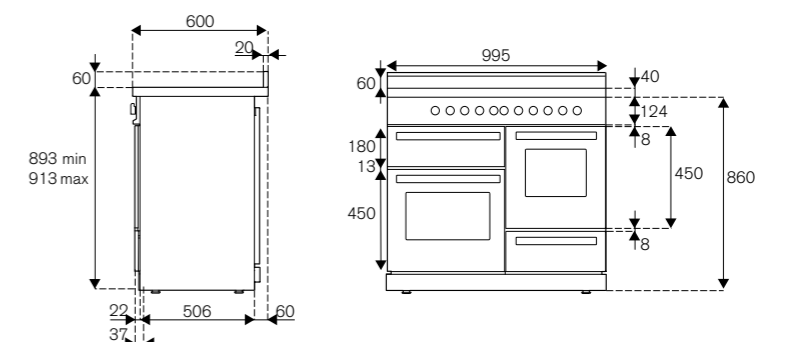
Optional Accessories

- TK120NRRXT 3 sides toekick panel
- 901438 simmer ring
- 901439 wok ring
- 901368 splash back
- 901456 legs kit H100-135mm

Energy rating **A**



MAS106L3ENET



Master Series



MAS106L2ENET

MAS106L2EXT

100cm 6 burners, electric double oven

Features

- 6 brass gas burners
- 5kw lateral dual wok
- metal knobs
- cast iron pan supports
- electric oven 11 functions
- main oven volume 69 L, auxiliary oven volume 54 L
- thermometer
- 1 telescopic glide shelf, 1 baking tray, 2 wire shelves, 1 grill mesh, 1 light
- inner triple removable glass
- storage compartment
- stainless steel legs

Functions (main oven)



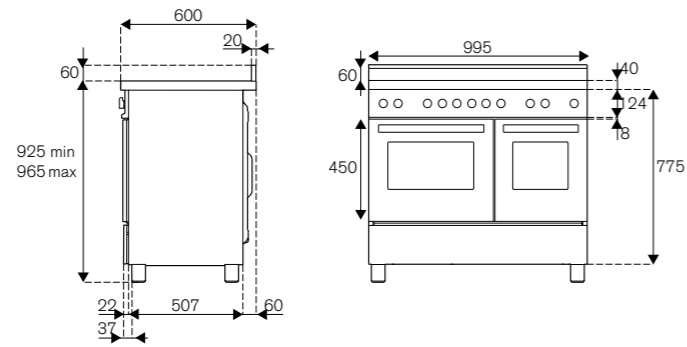
Functions (auxiliary oven)



Optional Accessories

- 901309 teppan-yaki griddle
- 901367 splash back
- 901438 simmer ring
- 901439 wok ring
- 901456 legs kit H100-135mm
- 901482 3-sides toekick panel
- PEN06 cast iron griddle

Energy rating **A**



Master Series



MAS95C1ENET

MAS95C1EXT

90cm 5 burners, electric oven

Features

- 5 brass gas burners
- 5kw central dual wok
- metal knobs
- cast iron pan supports
- electric oven 11 functions
- oven volume 103 L
- thermometer
- 1 telescopic glide shelf, 1 baking tray, 2 wire shelves, 1 grill mesh, 1 light
- inner triple removable glass
- storage compartment
- stainless steel legs

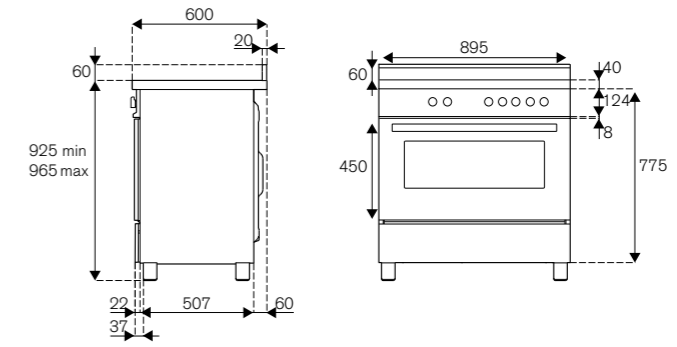
Oven functions



Optional Accessories

- 901348 splash back
- 901438 simmer ring
- 901439 wok ring
- 901456 legs kit H100-135mm
- 901481 3-sides toekick panel
- PEN06 cast iron griddle

Energy rating **A**



MAS95C2ENET

MAS95C2EXT

90cm 5 burners, electric double oven

Features

- 5 brass gas burners
- 5kw central dual wok
- metal knobs
- cast iron pan supports
- electric oven 11 functions
- main oven volume 69 L, auxiliary oven volume 38 L
- thermometer
- 1 telescopic glide shelf, 1 baking tray, 2 wire shelves, 1 grill mesh, 1 light
- inner triple removable glass
- storage compartment
- stainless steel legs

Functions (main oven)



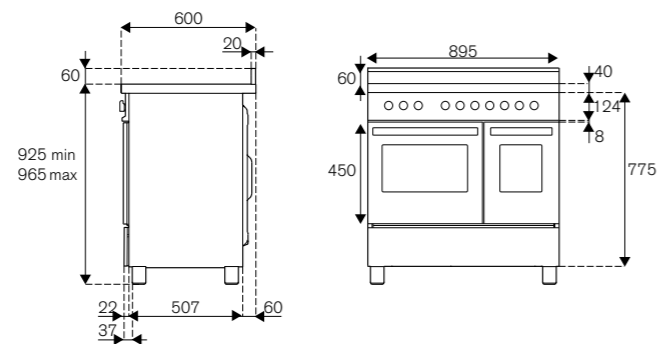
Functions (auxiliary oven)



Optional Accessories

- 901348 splash back
- 901438 simmer ring
- 901439 wok ring
- 901456 legs kit H100-135mm
- 901481 3-sides toekick panel
- PEN06 cast iron griddle

Energy rating **A**



MAS64L1ENET

MAS64L1EXT

60cm 4 burners, electric oven

Features

- 4 brass gas burners
- 5kw lateral dual wok
- metal knobs
- cast iron pan supports
- electric oven 11 functions
- oven volume 69 L
- thermometer
- 1 telescopic glide shelf, 1 baking tray, 2 wire shelves, 1 grill mesh, 1 light
- inner triple removable glass
- storage compartment
- stainless steel legs

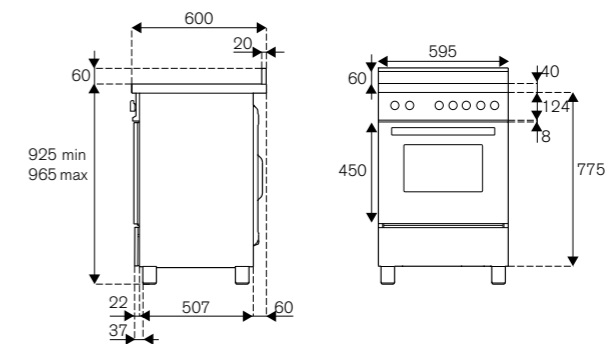
Oven functions



Optional Accessories

- 901347 splash back
- 901389 3-sides toekick panel
- 901438 simmer ring
- 901439 wok ring
- 901456 legs kit H100-135mm
- PEN06 cast iron griddle

Energy rating **A**



Heritage Series



HER126G2EAVT

HER126G2ENET

120cm 6 burners + teppan yaki, electric double oven

Features

- 6 brass gas burners + 1 Teppan-Yaki griddle
- 5kw lateral dual wok
- metal knobs
- cast iron pan supports
- electric oven 11 functions
- main oven volume 69 L, auxiliary oven volume 69 L
- thermometer
- 1 telescopic glide shelf, 1 baking tray, 2 wire shelves, 1 grill mesh, 1 light
- soft closing oven door with inner triple removable glass
- soft closing drawer
- stainless steel legs

Functions (main oven)



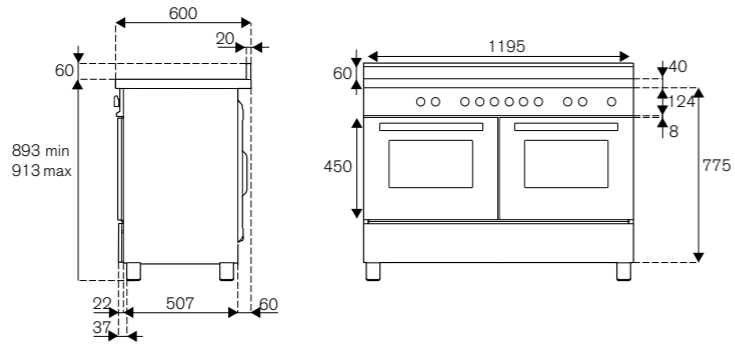
Functions (auxiliary oven)



Optional Accessories

- 901368 splash back
- 901438 simmer ring
- 901439 wok ring
- 901456 legs kit H100-135mm
- 901483 3-sides toekick panel
- PEN06 cast iron griddle

Energy rating A



Heritage Series



HER106L2EAVT

HER106L2ENET

100cm 6 burners, electric double oven

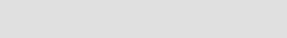
Features

- 6 brass gas burners
- 5kw lateral dual wok
- metal knobs
- cast iron pan supports
- electric oven 11 functions
- main oven volume 69 L, auxiliary oven volume 54 L
- thermometer
- 1 telescopic glide shelf, 1 baking tray, 2 wire shelves, 1 grill mesh, 1 light
- soft closing oven door with inner triple removable glass
- soft closing drawer
- stainless steel legs

Functions (main oven)



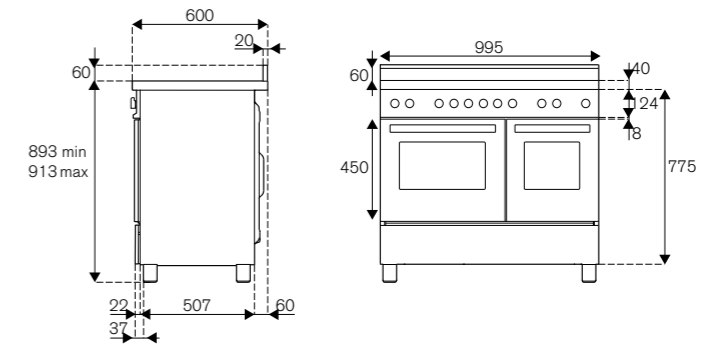
Functions (auxiliary oven)



Optional Accessories

- 901309 teppan-yaki griddle
- 901367 splash back
- 901438 simmer ring
- 901439 wok ring
- 901456 legs kit H100-135mm
- 901482 3-sides toekick panel
- PEN06 cast iron griddle

Energy rating A



HER106L3ENET

100cm 6 burners, electric triple oven

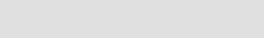
Features

- 6 brass gas burners
- 5kw lateral dual wok
- metal knobs
- cast iron pan supports
- electric oven 11 functions
- main oven volume 69 L, auxiliary oven volume 54 L, third 24 L
- thermometer
- 1 telescopic glide shelf, 1 baking tray, 2 wire shelves, 1 grill mesh, 1 light
- soft closing oven door with inner triple removable glass
- soft closing drawer

Functions (main oven)



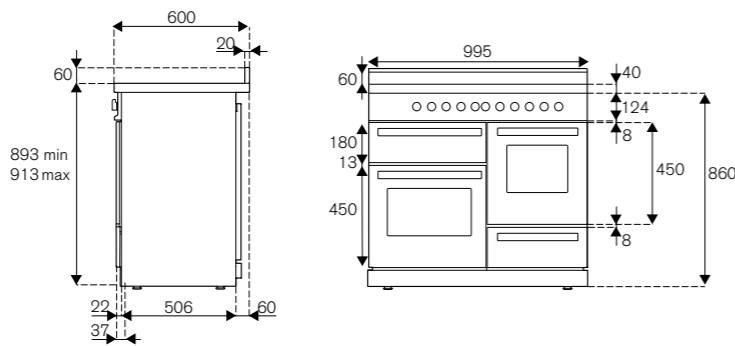
Functions (auxiliary oven)



Optional Accessories

- 901309 teppan-yaki griddle
- 901367 splash back
- 901439 wok ring
- PEN06 cast iron griddle

Energy rating A



HER96L2ENET

90cm 6 burners, electric double oven

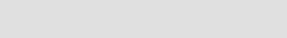
Features

- 6 brass gas burners
- 5kw lateral dual wok
- metal knobs
- cast iron pan supports
- electric oven 11 functions
- main oven volume 69 L, auxiliary oven volume 38 L
- thermometer
- 1 telescopic glide shelf, 1 baking tray, 2 wire shelves, 1 grill mesh, 1 light
- soft closing oven door with inner triple removable glass
- soft closing drawer
- stainless steel legs

Functions (main oven)



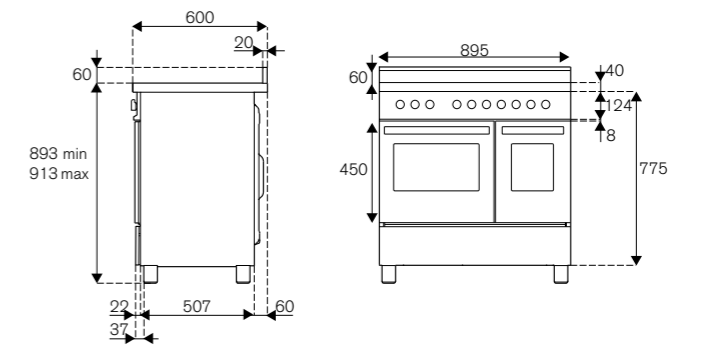
Functions (auxiliary oven)



Optional Accessories

- 901309 teppan-yaki griddle
- 901348 splash back
- 901438 simmer ring
- 901439 wok ring
- 901456 legs kit H100-135mm
- 901481 3-sides toekick panel
- PEN06 cast iron griddle

Energy rating A



HER106L3EAVT



HER96L2EAVT

Heritage Series



HER96L1EAVT

HER96L1ENET

90cm 6 burners, electric oven

Features

- 6 brass gas burners
- 5kw lateral dual wok
- metal knobs
- cast iron pan supports
- electric oven 11 functions
- oven volume 103 L
- thermometer
- 1 telescopic glide shelf, 1 baking tray, 2 wire shelves, 1 grill mesh, 1 light
- soft closing oven door with inner triple removable glass
- soft closing drawer
- stainless steel legs

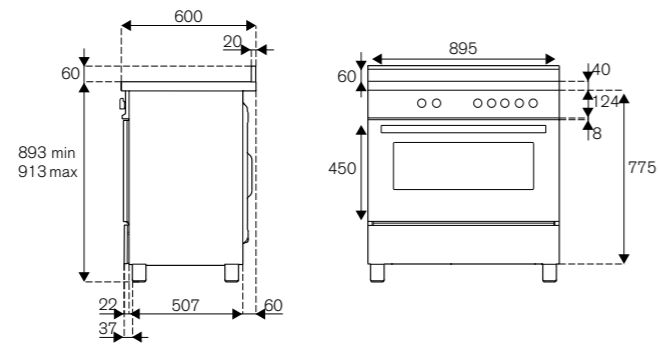
Oven functions



Optional Accessories

- 901309 teppan-yaki griddle
- 901348 splash back
- 901438 simmer ring
- 901439 wok ring
- 901456 legs kit H100-135mm
- 901481 3-sides toekick panel
- PEN06 cast iron griddle

Energy rating A



Ventilation

At Bertazzoni, we believe ventilation should always be an integral part of your kitchen design. Our engineers analyzed the ventilation needs of all our cooking appliances and developed multiple solutions to complement the whole range. Whatever appliance you choose and whatever style you want for your kitchen, you will find a model to harmonize with your Bertazzoni suite. The line-up includes several new ventilation hoods that are designed to fit seamlessly with the Master, Professional and Heritage Bertazzoni Series.

In this section

- Wallmount hoods
- Wallmount & undercabinet hoods
- Island hoods
- Integrated hoods

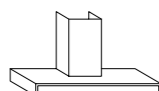


Hoods

Bertazzoni cooker hoods come in a wide range of sizes from 40 cm to 120 cm. These elegant, functional designs fit any hob. They will also co-ordinate beautifully with any kitchen design style across the Professional, Master, Modern and Heritage Series. You can choose from wall-mounted, island and built-in hoods in varying sizes that work with different hobs. Bertazzoni special induction hobs also feature a choice of three integrated ventilation options. A choice of finishes includes stainless steel, matt colours or full black glass. Electronic touch controls make it simple to choose the correct setting and LED lights offer excellent visibility of the cooking surface below. Bertazzoni advanced technology includes perimetral airflow for excellent extraction, a choice of three speeds with boosters for extra power and aluminium and charcoal filters with filter saturation alarm*, which mean these machines can deal with every cooking challenge you undertake. All Bertazzoni hoods are designed to be energy efficient.**

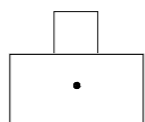
Wallmount T-Design hoods

120, 100, 90, 60cm
1 motor
Stainless steel



Wallmount black glass hoods

90cm
Verticale e inclinata
1 motor
Black glass finishes



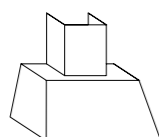
Ceiling hoods

90cm
1 motor
Stainless steel



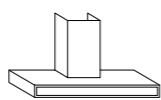
Wallmount Chimney hoods

110, 70cm
1 motor
Matt black finishes and avorio



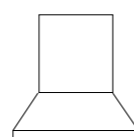
Island hoods

120, 90cm
1 motor
Stainless steel



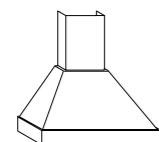
Wallmount master hoods

120, 90cm
1 motor
Stainless steel,
Matt black finishes



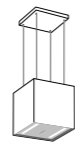
Wallmount Chimney Heritage hoods

120, 100, 90cm
1 motor
Matt black, Matt Cream
Matt burgundy



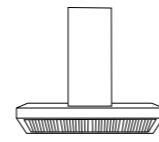
Up & Down hoods

40cm
1 motor
Matt black finishes



Wallmount inclined hoods

120, 90cm
1 motor
Stainless steel



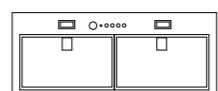
Wallmount and undercabinet hoods

120, 100, 90, 60cm
1 or 2 motors
duct cover optional
Stainless steel



Integrated hoods

86, 70, 52cm
1 motor
Stainless steel



Powerful choices

Choose extractor power from 570 to 1600 m³/h with 1 or 2 motors on selected models

Versatile installation

Pick from traditional wall-mount to island-mount, integrated and inclined

Colour options

Choose from stainless steel, 3 matt colours, avorio or Black Glass finishes

Illumination

2 or 4 LED lights for a clear view of the worktop while you cook

Removable filters

The aluminium or stainless-steel filters are removable for a simple, safe maintenance and cleaning

Precision controls

Choose electronic or button controls. Integrated and Up & Down models available with additional remote control

Hoods

Wall mount T-shape hoods

Choose from 60 cm, 90 cm, 100 cm or 120 cm widths for co-ordinated design that matches any Bertazzoni gas or induction hob. Setting and adjusting the extraction airflow is simple with the electronic touch controls. These hoods offer excellent A+ energy efficient performance.



Wall mount canopy and Heritage hoods

Choose from a range of distinctive designs that match appliances in the traditional Heritage Series to the most up-to-date styles in the Professional, Master and Modern Series. Available in 60 to 120 cm, they are simple to install with a hidden wall support. Simple button or electronic controls make it easy to choose the correct settings and adjust them as needed during the cooking process.



“Inclined” wall hoods

These inclined profile stainless steel hoods have been designed and engineered to be combined with the different styles of free-standing kitchens. They are equipped with stronger and more resistant steel filters with saturation alarm. The backlit buttons and LED light allow precise setting of functions and perfect lighting.



Wall mount glass hoods







Innovative elegant contemporary design in black glass with a choice of two 90 cm wide vertical or inclined layout models with optional chimney tube. Bertazzoni perimetral extraction technology reduces perceived noise levels by 25%, at the same time guaranteeing efficient performance. They are rated A and A+ for leading energy-efficient performance.

Integrated hoods





These space-saving integrated hoods can be built into your cabinets or installed flush in the ceiling, so they almost disappear. The built-in models come in 3 widths – 52 cm, 70 cm and 86 cm. Perimetral airflow reduces perceived noise levels by 25% and a choice of 3 speeds with booster can cope easily with all your extraction needs. The 90cm ceiling-installed model is finished stainless steel finish to fits with appliances from all the Bertazzoni Series for a seamless and elegant look. It is simple to operate with a remote control.



Wallmount T design hoods

120	100	90	60
 KT120P1AXT 1 motor, 750 m³/h X		 KT90P1AXT 1 motor, 750 m³/h X N NE	 KT60P1AXT 1 motor, 750 m³/h X
	 KT100P1XV 1 motor, 710 m³/h X NEV	 KT90P1XV 1 motor, 710 m³/h X NE	 KT60P1XV high edge, 800 m³/h X




Wallmount chimney hoods

120	90	110	70
 KPH120MASXT 1 motor, 800 m³/h X NE	 KPH90MASXT 1 motor, 800 m³/h X NE	 KR110HER1NEDC 1 motor, 570 m³/h NE A	 KR70HER1NEDA 1 motor, 700 m³/h NE A

Wallmount chimney hoods Heritage

120	100	90
 K120HERTX+KC48HERTNE 1 motor, 752 m³/h NE AV	 K100HERTX+KC36HERTNE 1 motor, 752 m³/h NE AV	 K90HERTX+KC36HERTNE 1 motor, 752 m³/h NE AV





Wallmount inclined hoods

120	100	90
 KV120PROXT 1 motor, 800 m³/h X	 KV100PROXT 1 motor, 800 m³/h X	 KV90PROXT 1 motor, 800 m³/h X




Wallmount and undercabinet hoods

120	100	90	60
 KU120PRO2XA 2 motors, 800x2 m³/h KU120PRO1XA 1 motor, 800 m³/h XA	 KU100PRO1XA 1 motor, 800 m³/h X	 KU90PRO2XA 2 motors, 800x2 m³/h KU90PRO1XA 1 motor, 800 m³/h XA	 KU60PRO1XA 1 motor, 800 m³/h X





Teleopic hoods

60	Visor hoods		90	60
 KTE60MOD1B 1 motor, 700 m³/h N	 KTE60MOD1C 1 motor, 600 m³/h N	 KND90T1AX 1 motor, 710 m³/h X	 KND60T1AX 1 motor, 710 m³/h X	

Island hoods

120	90	40
 KTI120P1AXT low edge, 700 m³/h X	 KTI90P1AX low edge, 700 m³/h X	 KUD40PRO1XA up & down, 620 m³/h X

Integrated hoods

90	86	70	52
 KC90PRO1XA ceiling, 700 m³/h X	 KIN86MOD1XB undercabinet, 710 m³/h X	 KIN70MOD1XB KIN70P1XV undercabinet, 710-580 m³/h X	 KIN52MOD1XC KIN52P1XV undercabinet, 660-580 m³/h X

Wallmount black glass hoods

90	90
 KV90PRO1NA 1 motor, 570 m³/h N	 KV90MOD1NA 1 motor, 700 m³/h N

Wallmount Hoods T Design



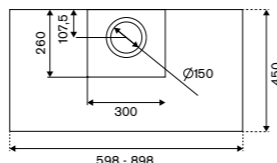
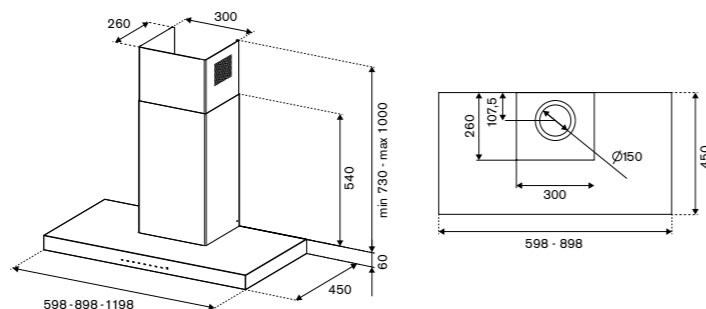
KT120P1AXT
120cm wallmount hood

Features

- 1 motor, 3 speed + booster
- electronic controls with LED indicator
- timer
- stainless steel grease filter
- max extraction power 750m³h
- noise level 69dBA
- 3 LED lights
- Filters saturation alarm
- installation for extraction mode or filtering mode
- anti-finger print stainless steel

Energy rating **A+**

Optional Accessories
901497 kit charcoal filter



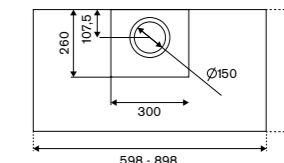
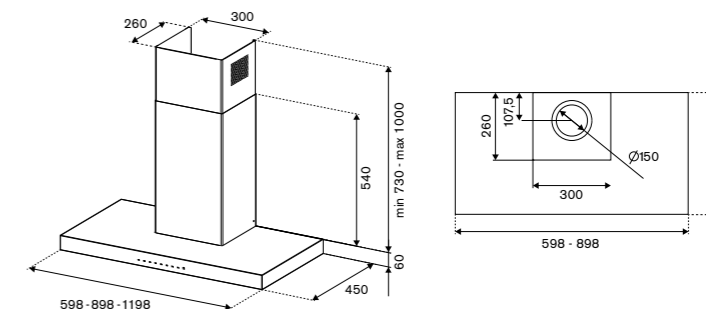
KT60P1AXT
60cm wallmount hood

Features

- 1 motor, 3 speed + booster
- electronic controls with LED indicator
- timer
- stainless steel grease filter
- max extraction power 750m³h
- noise level 69dBA
- 3 LED lights
- Filters saturation alarm
- installation for extraction mode or filtering mode
- anti-finger print stainless steel

Energy rating **A+**

Optional Accessories
901497 kit charcoal filter



KT90P1ANET
nero matt



KT90P1ANT
carbonio

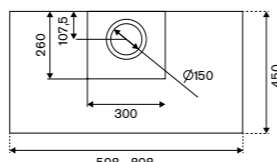
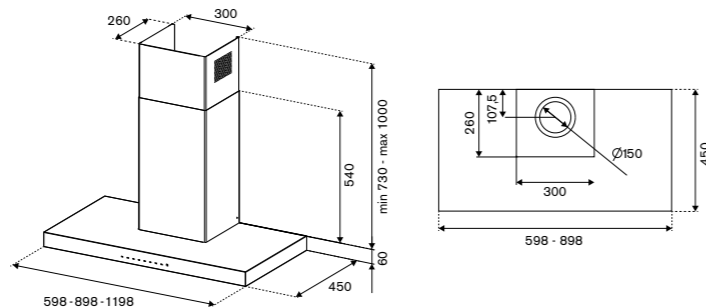
KT90P1AXT
90cm wallmount hood

Features

- 1 motor, 3 speed + booster
- electronic controls with LED indicator
- timer
- stainless steel grease filter
- max extraction power 750m³h
- noise level 69dBA
- 3 LED lights
- Filters saturation alarm
- installation for extraction mode or filtering mode
- anti-finger print stainless steel

Energy rating **A+**

Optional Accessories
901497 kit charcoal filter



versione carbonio



KT100P1NEV
nero matt

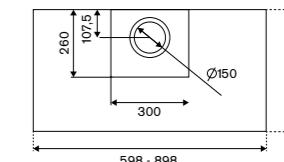
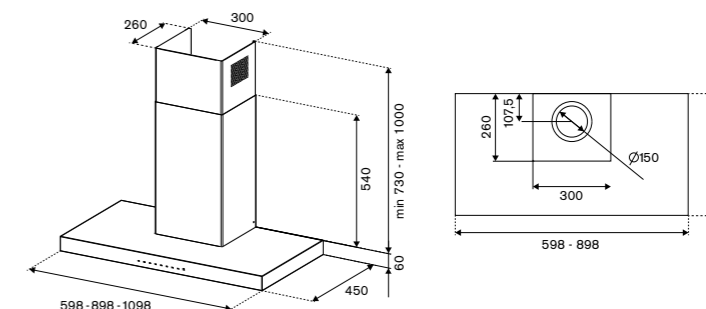
KT100P1XV
100cm wallmount hood

Features

- 1 motor, 4 speed
- electronic controls
- timer
- aluminum grease filter
- max extraction power 710m³h
- noise level 45-67dBA
- 2 LED lights
- installation for extraction mode or filtering mode
- anti-finger print stainless steel

Energy rating **A**

Optional Accessories
901497 kit charcoal filter





KT90P1NEV
nero matt

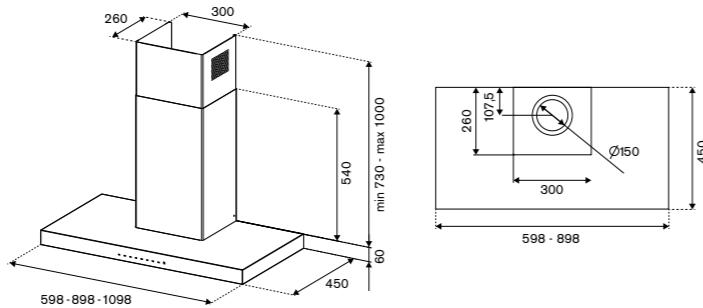
KT90P1XV 90cm wallmount hood

Features

- 1 motor, 4 speed
- electronic controls
- timer
- aluminum grease filter
- max extraction power 710m³h
- noise level 45-67dBA
- 2 LED lights
- installation for extraction mode or filtering mode
- anti-finger print stainless steel

Energy rating **A**

Optional Accessories
901497 kit charcoal filter



Wallmount chimney hoods



KPH120MASNET
nero

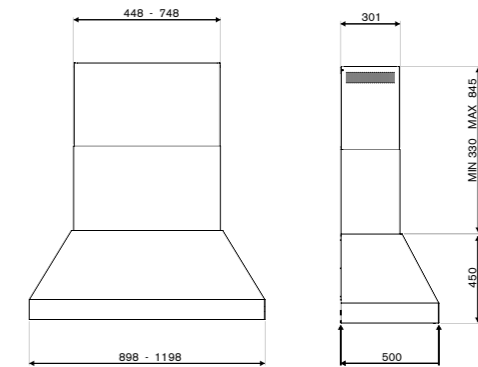
KPH120MASXT 120cm wallmount hood

Features

- 1 motor, 3 speed
- controls with knobs
- stainless steel grease filter
- max extraction power 850m³h
- noise level 67dBA
- LED bar illumination
- installation for extraction mode or filtering mode
- stainless steel or matt black finishes

Energy rating **C**

Optional Accessories
901395 kit charcoal filter



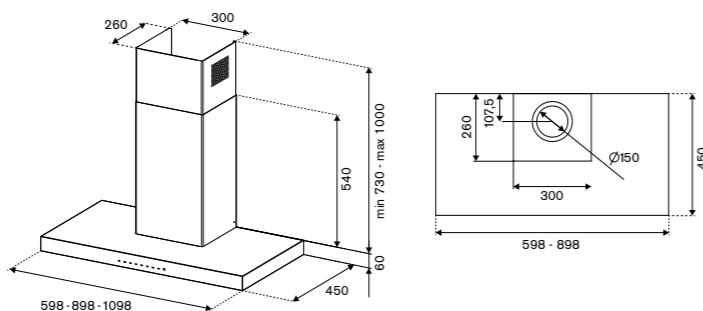
KT60P1XV 60cm wallmount hood

Features

- 1 motor, 4 speed
- electronic controls
- timer
- aluminum grease filter
- max extraction power 710m³h
- noise level 45-67dBA
- 2 LED lights
- installation for extraction mode or filtering mode
- anti-finger print stainless steel

Energy rating **A**

Optional Accessories
901497 kit charcoal filter



KPH90MASNET
nero

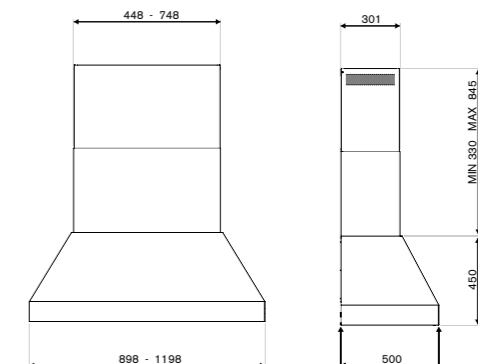
KPH90MASXT 90cm wallmount hood

Features

- 1 motor, 3 speed
- controls with knobs
- stainless steel grease filter
- max extraction power 850m³h
- noise level 67dBA
- LED bar illumination
- installation for extraction mode or filtering mode
- stainless steel or matt black finishes

Energy rating **C**

Optional Accessories
901395 kit charcoal filter





KR110HER1ADC
avorio

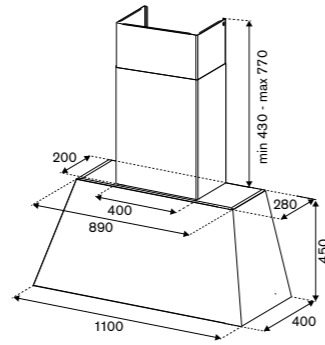
KR110HER1NEDC 110cm wallmount chimney hood

Features

- 1 motor, 3 speed + booster
- knobs controls
- stainless steel grease filter
- max. extraction power 570m³h
- noise level 67dBA
- 2 LED lights
- installation for extraction mode or filtering mode
- matt black and avorio finishes

Energy rating **C**

Optional Accessories
901499 kit charcoal filter



Wallmount chimney hoods Heritage



K120HERTX+KC48HERTAV
avorio

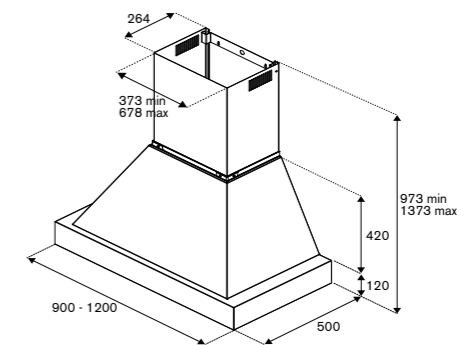
K120HERTX+KC48HERTNE 120cm wallmount chimney hood

Features

- 1 motor, 4 speed
- controls with buttons
- stainless steel grease filter
- max. extraction power 752m³h
- noise level 45-67dBA
- 2 LED lights
- installation for extraction mode or filtering mode
- matt black or avorio finishes

Energy rating **A**

Optional Accessories
901516 kit charcoal filter



KR70HER1ADA
avorio

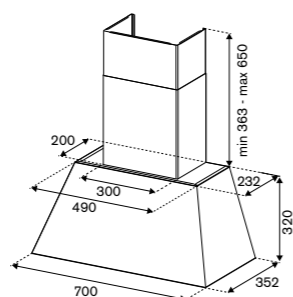
KR70HER1NEDA 70cm wallmount chimney hood

Features

- 1 motor, 3 speed + booster
- knobs controls
- stainless steel grease filter
- max. extraction power 570m³h
- noise level 67dBA
- 2 LED lights
- installation for extraction mode or filtering mode
- matt black and avorio finishes

Energy rating **A**

Optional Accessories
901499 kit charcoal filter



K100HERTX+KC36HERTAV
avorio

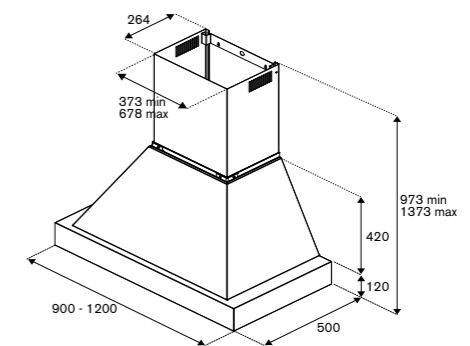
K100HERTX+KC36HERTNE 100cm wallmount chimney hood

Features

- 1 motor, 4 speed
- controls with buttons
- stainless steel grease filter
- max. extraction power 752m³h
- noise level 45-67dBA
- 2 LED lights
- installation for extraction mode or filtering mode
- matt black or avorio finishes

Energy rating **A**

Optional Accessories
901515 kit charcoal filter





K90HERTX+KC36HERTAV
avorio

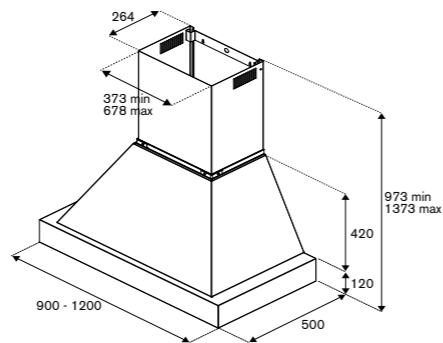
K90HERTX+KC36HERTNE
90cm wallmount chimney hood

Features

- 1 motor, 4 speed
- controls with buttons
- stainless steel grease filter
- max. extraction power 752m³h
- noise level 45-67dBA
- 2 LED lights
- installation for extraction mode or filtering mode
- matt black or avorio finishes

Energy rating A

Optional Accessories
901515 kit charcoal filter



Wallmount inclined hoods



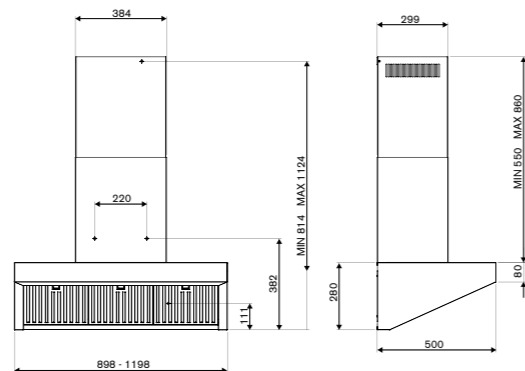
KV120PROXT
120cm wallmount vertical inclined hood

Features

- 1 motor, 3 speed + booster
- touch controls
- timer
- aluminum grease filter
- Filters saturation alarm
- max. extraction power 800m³h
- noise level 73dBA
- LED lights
- stainless steel finishes

Energy rating A

Optional Accessories
901498 kit charcoal filter



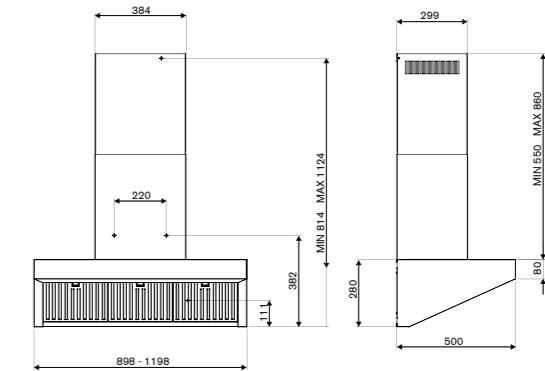
KV100PROXT
100cm wallmount vertical inclined hood

Features

- 1 motor, 3 speed + booster
- touch controls
- timer
- aluminum grease filter
- Filters saturation alarm
- max. extraction power 800m³h
- noise level 73dBA
- LED lights
- stainless steel finishes

Energy rating A

Optional Accessories
901498 kit charcoal filter



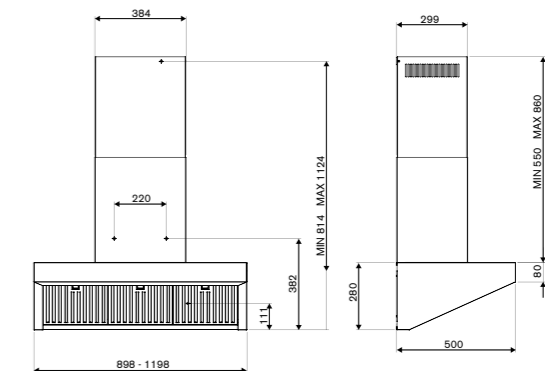
KV90PROXT
90cm wallmount vertical inclined hood

Features

- 1 motor, 3 speed + booster
- touch controls
- timer
- aluminum grease filter
- Filters saturation alarm
- max. extraction power 800m³h
- noise level 73dBA
- LED lights
- stainless steel finishes

Energy rating A+

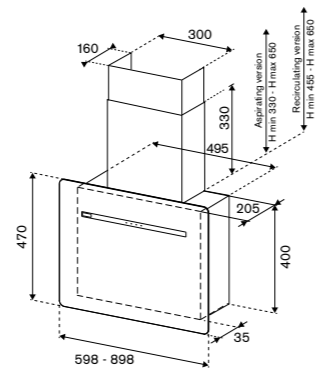
Optional Accessories
901499 kit charcoal filter



Wallmount black glass hoods

**KV90PRO1NA****90cm wallmount vertical flat hood****Features**

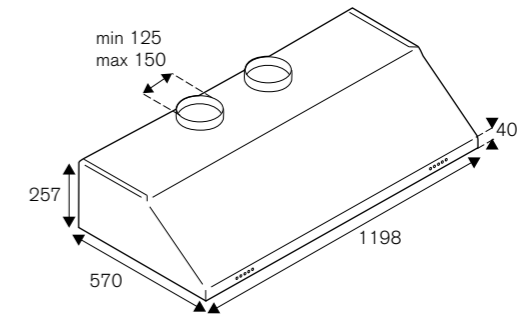
- 1 motor, 3 speed + booster
- touch controls
- timer
- aluminum grease filter
- max. extraction power 570m³h
- noise level 73dBA
- LED lights
- Filters saturation alarm
- black glass finishes

Energy rating A**Optional Accessories**
901498 kit charcoal filter

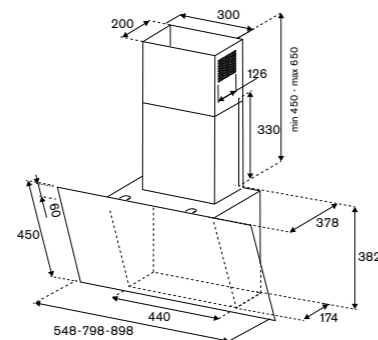
Wallmount undercabinet Hoods

**KU120PRO2XA****120cm wallmount & undermount hood, 2 motors****Features**

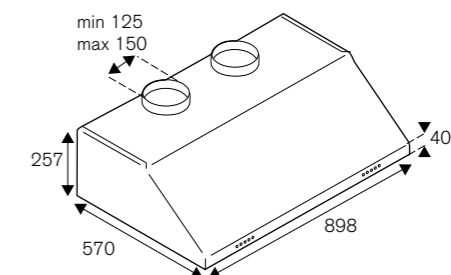
- 2 motors, 3 speed
- electronic buttons
- stainless steel grease filter
- max. extraction power 1600m³h
- noise level 29-59dBA
- 4 halogen lights
- anti-fingerprint stainless steel
- optional duct cover

Energy rating A**Optional Accessories**
901262 narrow duct cover
901263 medium duct cover
901281 narrow short duct cover
901364 Y connector
901394 kit charcoal filter**KV90MOD1NA****90cm wallmount vertical inclined hood****Features**

- 1 motor, 3 speed + booster
- touch controls
- timer
- aluminum grease filter
- max. extraction power 700m³h
- noise level 70dBA
- LED lights
- Filters saturation alarm
- black glass finishes, stainless steel duct cover

Energy rating A+**Optional Accessories**
901499 kit charcoal filter**KU90PRO2XA****90cm wallmount & undermount hood, 2 motors****Features**

- 2 motors, 3 speed
- electronic buttons
- stainless steel grease filter
- max. extraction power 1600m³h
- noise level 29-59dBA
- 4 halogen lights
- anti-fingerprint stainless steel
- optional duct cover

Energy rating A**Optional Accessories**
901262 narrow duct cover
901263 medium duct cover
901281 narrow short duct cover
901364 Y connector
901394 kit charcoal filter



KU120PRO1XA

120cm wallmount & undermount hood, 1 motor

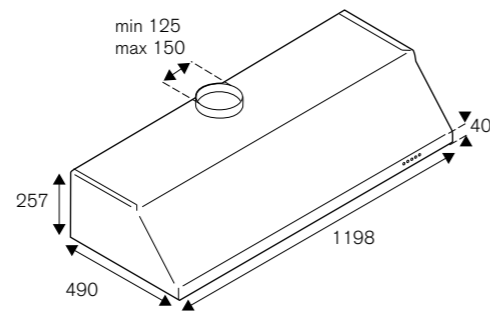
Features

- 1 motor, 3 speed
- electronic buttons
- stainless steel grease filter
- max. extraction power 800m³h
- noise level 29-59dBA
- 2 halogen lights
- anti-fingerprint stainless steel
- optional duct cover

Optional Accessories

- 901262 narrow duct cover
- 901263 medium duct cover
- 901281 narrow short duct cover
- 901394 kit charcoal filter

Energy rating **A**



KU90PRO1XA

90cm wallmount & undermount hood, 1 motor

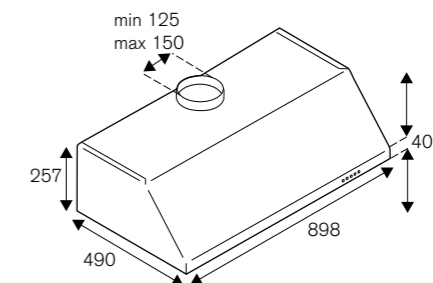
Features

- 1 motor, 3 speed
- electronic buttons
- stainless steel grease filter
- max. extraction power 800m³h
- noise level 29-59dBA
- 2 halogen lights
- anti-fingerprint stainless steel
- optional duct cover

Optional Accessories

- 901262 narrow duct cover
- 901263 medium duct cover
- 901281 narrow short duct cover
- 901394 kit charcoal filter

Energy rating **A**



KU100PRO1XA

100cm wallmount & undermount hood, 1 motor

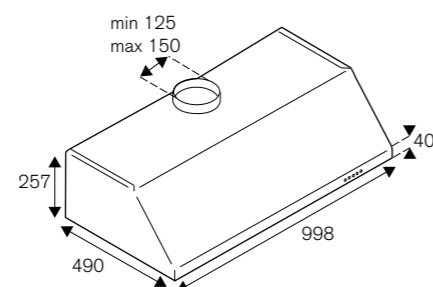
Features

- 1 motor, 3 speed
- electronic buttons
- stainless steel grease filter
- max. extraction power 800m³h
- noise level 29-59dBA
- 2 halogen lights
- anti-fingerprint stainless steel
- optional duct cover

Optional Accessories

- 901262 narrow duct cover
- 901263 medium duct cover
- 901281 narrow short duct cover
- 901394 kit charcoal filter

Energy rating **A**



KU60PRO1XA

60cm wallmount & undermount hood, 1 motor

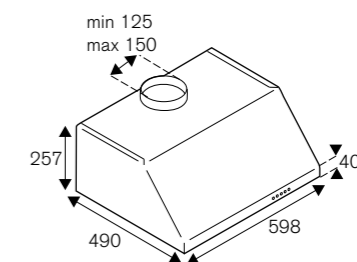
Features

- 1 motor, 3 speed
- electronic buttons
- stainless steel grease filter
- max. extraction power 800m³h
- noise level 29-59dBA
- 2 halogen lights
- anti-fingerprint stainless steel
- optional duct cover

Optional Accessories

- 901262 narrow duct cover
- 901281 narrow short duct cover
- 901394 kit charcoal filter

Energy rating **A**



Island Hoods



KTI120P1AXT

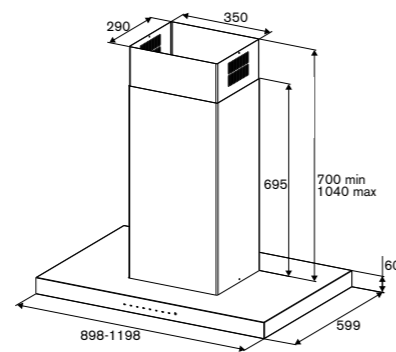
120cm island mount hoods

Features

- 1 motor, 3 speed + booster
- Electronic control with LED
- timer
- stainless steel grease filter
- max. extraction power 700m³h
- noise level 69dBA
- 4 LED lights
- Filters saturation alarm
- installation for extraction mode or filtering mode
- anti-finger print stainless steel

Energy rating **A**

Optional Accessories
901497 kit charcoal filter



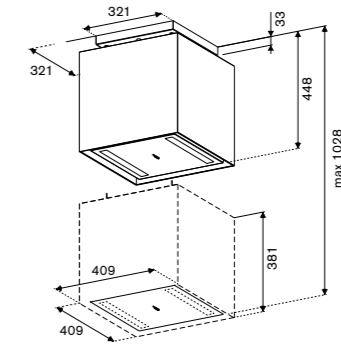
KUD40PRO1XA

40cm up & down hood

Features

- 1 motor, 3 speed + booster
- electronic buttons and remote control
- timer
- aluminum grease filter
- max. extraction power 620m³h
- noise level 71dBA
- LED lights
- Filters saturation alarm
- matt black finishes
- kit charcoal filter included

Energy rating **A**



KTI90P1AXT

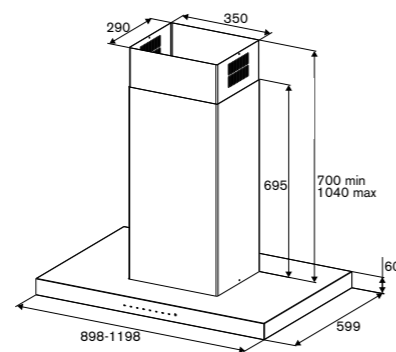
90cm island mount hoods

Features

- 1 motor, 3 speed + booster
- Electronic control with LED
- timer
- stainless steel grease filter
- max. extraction power 700m³h
- noise level 69dBA
- 4 LED lights
- Filters saturation alarm
- installation for extraction mode or filtering mode
- anti-finger print stainless steel

Energy rating **A**

Optional Accessories
901497 kit charcoal filter



Integrated Hoods



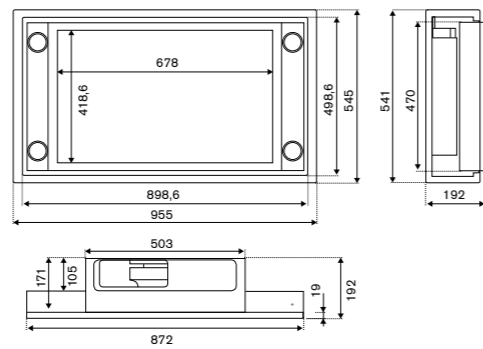
KC90PRO1XA 90cm ceiling hood

Features

- 1 motor, 3 speed + booster
- remote control
- aluminum grease filter
- max. extraction power 700m³h
- noise level 72dBA
- 4 LED lights
- Filters saturation alarm
- perimetral aspiration
- stainless steel finishes

Energy rating **A+**

Optional Accessories
901500 kit charcoal filter



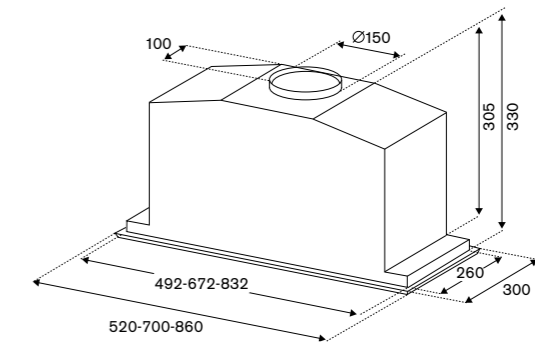
KIN70MOD1XB 70cm undercabinet hood

Features

- 1 motor, 3 speed + booster
- controls with buttons
- aluminum grease filter
- max. extraction power 710m³h
- noise level 70dBA
- 2 LED lights
- Filters saturation alarm
- perimetral aspiration
- stainless steel finishes

Energy rating **C**

Optional Accessories
901499 kit charcoal filter



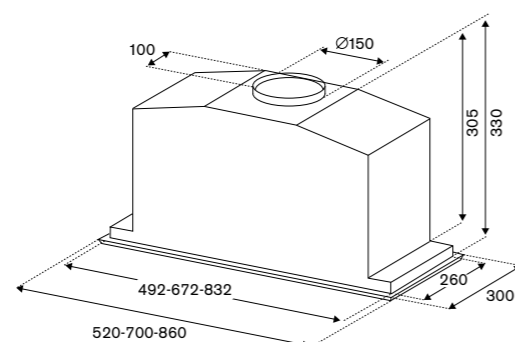
KIN86MOD1XB 86cm undercabinet hood

Features

- 1 motor, 3 speed + booster
- controls with buttons
- aluminum grease filter
- max. extraction power 710m³h
- noise level 70dBA
- 2 LED lights
- Filters saturation alarm
- perimetral aspiration
- stainless steel finishes

Energy rating **C**

Optional Accessories
901499 kit charcoal filter



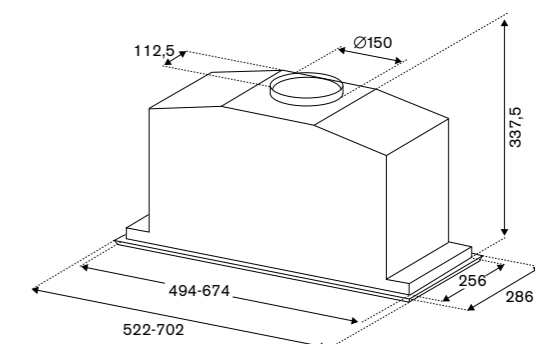
KIN70P1XV 70cm undermount hood

Features

- 1 motor, 3 speed + booster
- controls with buttons
- timer
- aluminum mesh filter
- max extraction power 710m³h
- noise level 70dBA
- 2 LED lights
- filters saturation alarm
- perimetral aspiration

Energy rating **B**

Optional Accessories
- 901499 kit charcoal filters





KIN52MOD1XC

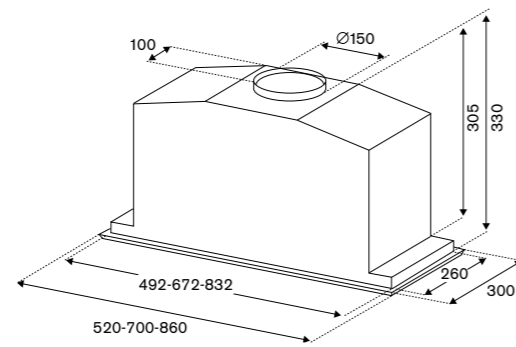
52cm undercabinet hood

Features

- 1 motor, 3 speed + booster
- controls with buttons
- aluminum grease filter
- max. extraction power 660m³h
- noise level 71dBA
- 2 LED lights
- Filters saturation alarm
- perimetral aspiration
- stainless steel finishes

Energy rating **C**

Optional Accessories
901499 kit charcoal filter



Telescopic Hoods



KTE60MOD1B

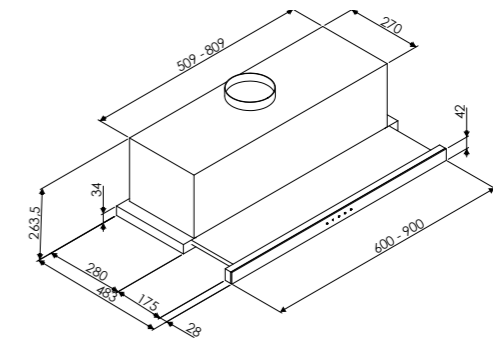
60cm telescopic hood

Features

- 1 motor, 3 speed
- aluminum mesh filters
- max extraction power 700m³h
- noise level 61dBA
- 2 LED lights
- stainless steel finish
- black glass control panel
- touch control on black glass panel

Energy rating **D**

Optional Accessories
- 901500 charcoal kit filter



KIN52P1XV

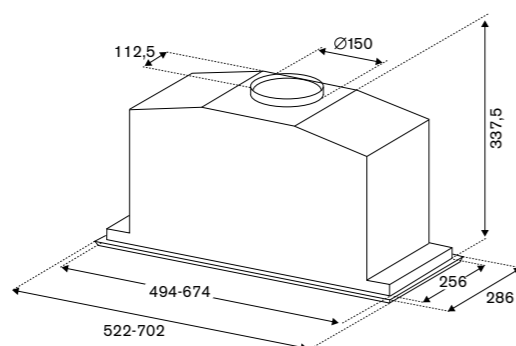
52+cm undermount hood

Features

- 1 motor, 3 speed + booster
- controls with buttons
- timer
- aluminum mesh filter
- max extraction power 660m³h
- noise level 71dBA
- 2 LED lights
- filters saturation alarm
- perimetral aspiration

Energy rating **B**

Optional Accessories
- 901499 kit charcoal filters



KTE60MOD1C

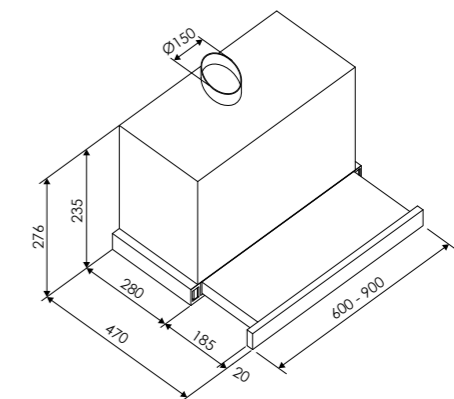
60cm telescopic hood

Features

- 1 motor, 3 speed
- aluminum mesh filters
- max extraction power 600m³h
- noise level 42dBA
- 2 LED lights
- stainless steel finish
- stainless steel control panel
- lateral slide controls

Energy rating **C**

Optional Accessories
- 901499 charcoal kit filter



Visor Hoods



KND90T1AXT

90cm Undercabinet hood with visor

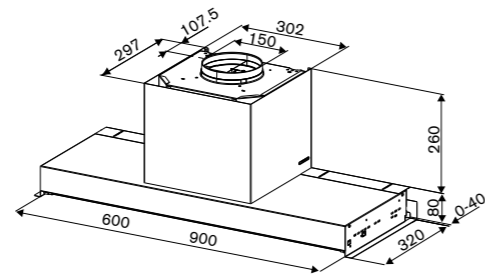
Features

- 1 motor, 3 speed + booster
- touch controls
- stainless steel mesh anti-condensation
- max extraction power 710 m3h
- sound level 69 dbA
- filter saturation alarm
- 2 LED lights
- stainless steel and black glass finishes

Energy rating **A**

Optional Accessories

- 901575 remote control



KND60T1AXT

90cm Undercabinet hood with visor

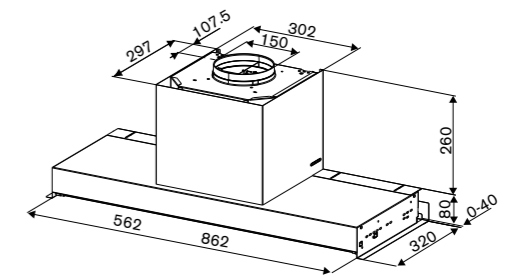
Features

- 1 motor, 3 speed + booster
- touch controls
- stainless steel mesh anti-condensation
- max extraction power 710 m3h
- sound level 69 dbA
- filter saturation alarm
- 2 LED lights
- stainless steel and black glass finishes

Energy rating **A**

Optional Accessories

- 901575 remote control



Refrigerators

Along with the oven and hob, the refrigerator is the third building block of any kitchen. Bertazzoni refrigerators offer a range of applications, sizes and installation options all harmonised by design to match the entire kitchen appliance suite for each Series. A range of high-tech features include LED surround lighting, two compressors and flexible zone fridge/freezer options. The dual air-cooling, no-frost systems (one each for the refrigerator and freezer compartments) means you can keep everything at the perfect temperature, whilst keeping humidity under control.

The super freeze mode uses a variable speed compressor to give you a 20% faster freezing cycle for fresh food. You can choose between an integrated, undercounter version that fits seamlessly into your fitted kitchen or a free-standing French Door model with stainless steel and handles to coordinate perfectly with the other appliances in Professional, Master or Heritage Series.

The built-in models range from 75cm to 90cm width. The flush mount built-in platform has high tech features such as LED surround lighting, two compressors and a flexible zone fridge/freezer usage option. All models can be installed with stainless steel doors or custom kitchen cabinet panels.

In this section

- Built-in Columns
- Freestanding Columns
- Built-in combi bottom mount
- Freestanding bottom mount
- Multi door



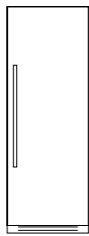
Built-In Columns

Bertazzoni built-in refrigerators are masterpieces of design and technology. The 213 cm top-of-the-range fridges, freezers and wine cellars feature front and integrated stainless steel doors mounted on the latest-generation lift and swing hinges. Versatile installation options allow elegant configurations for all three models in any width. The 177 cm single-door refrigerator and freezer fits perfectly in any kitchen, with door-to-door installation and reversible doors. They offer flexible space with a capacity of 300 litres and 197 litres, respectively. Finished with the handles and finishes available for all the Bertazzoni Series, these appliances harmoniously match the style of any kitchen.

*available only in stainless steel version. the handle kit is not available for H177cm models

Refrigerator Columns

90, 75, 60 cm Refrigerator
H 212 cm
stainless steel
integrated
Professional, Master and
Heritage Series



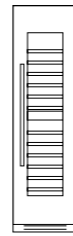
Freezer Columns

60, 45 cm Freezer
H 212 cm
stainless steel integrated
Professional, Master
and Heritage Series



Wine Columns

60, 45 cm Wine Columns
H 212 cm
stainless steel
integrated
Professional, Master and
Heritage Series



60 cm Refrigerator
H 177 cm
integrated



60 cm Freezer
H 177 cm
integrated



60 cm Refrigerator
H 186 cm
freestanding
stainless steel



60 cm Freezer
H 186 cm
freestanding
stainless steel



Precise temperature control
Optimal temperature setting to extend food preservation.
The variable-speed compressor ensures accurate temperature control and energy efficiency

Touch user interface
Allows to set the temperature and select special functions

Constantly maintained cold air
The lateral airflow keeps the temperature constant even when the door is opened frequently

LED lighting
Perfect, comprehensive visibility thanks to top and side lights

Category-leading usable depth
The evaporator is mounted on the side, increasing the depth available for food storage and capacity

Rapid cooling
When large amounts of food are stored in the refrigerator, rapid cooling quickly optimises the temperature to keep the food fresh

Improved hygiene and food preservation
The drawers are treated with a crystal aluminium powder coating to seal the tiny gaps where bacteria could lurk, ensuring 100% hygiene

Flush installation
The proprietary "lift&swing" hinges allow installation with minimal clearance from adjacent furniture panels.

Refrigerator

Category-leading space

Bertazzoni's engineers have achieved the greatest usable depth by mounting the evaporator on the side instead of behind the refrigerator. This optimises the space needed for the hinges and significantly increases the depth and storage capacity, making this model the built-in combination refrigerator with the greatest front-to-back depth available.

Lateral airflow

The lateral airflow prevents cold air from escaping when the door is opened. A constant temperature is always maintained, even when the door is opened frequently.



Intuitive interface

The touchscreen display has been designed to be user friendly. The display shows the actual temperature in the appliance, providing the most accurate feedback possible.

Total No-Frost Technology

Unlike traditional no-frost technology, Bertazzoni's dual-fan technology maintains the correct level of humidity and prevents the formation of frost or ice, ensuring longer and better food preservation.

Improved hygiene and food preservation

The use of aluminium and glass for the interior surfaces ensures maximum sanitation after cleaning, preventing odours from forming.

Practical design

With Shopping mode, the refrigerator cools down more quickly after storing a large amount of groceries. On Holiday mode, hygiene is maintained in the empty refrigerator while you are away.



Single-door column H177

The 300 litre capacity refrigerator is designed for maximum flexibility and to ensure perfect food storage. The freezer offers a versatile capacity of 197 litres to accommodate containers of all sizes. Both are equipped with LED top and side lighting for a clear view of contents. Intuitive controls and a user-friendly touchscreen display allow to adjust the temperature, as well as the "Super Cooling" and "Economy" functions (for the refrigerator) and "Super Freeze" and "Economy" (for the freezer).





Intuitive temperature controls

Precise digital user interface and TFT display

Variable-speed compressor

Provides optimal temperature control and allows to save energy

Automatic ice maker with water filtering function

The ice cube size can be personally selected. The SuperIce function increases ice production by up to 50%

Uniform cooling

Lateral air circulation maintains the same temperature throughout the freezer

Versatile storage

Three height-adjustable shelves, plus the top part of the ice maker which serves as an additional shelf, along with two drawers and two height-adjustable shelves in the door



Freezer

Ice options

A special function lets you set the perfect ice cube size. With the Superice function, you can increase ice production by up to 50%, for example when preparing for a party. The water filtering system ensures that the ice is clear and free of bacteria.

Versatile storage

The three height-adjustable shelves, two drawers and two shelves in the door provide numerous options for storing and preserving food perfectly.

Uniform cooling

Lateral air circulation evenly distributes cold air around the interior compartment. The no-frost cooling system eliminates the need to defrost the freezer. This technology restores the correct temperature in the freezer more quickly after the door has been opened.



LED lighting

You'll never have difficulty finding what you're looking for: the freezer has side lighting that offers comprehensive visibility.

Intuitive temperature controls

The digital user interface with TFT display facilitates precise monitoring and control of all freezer functions.



Freezer Column H177

The freezer offers a versatile capacity of 197 litres to accommodate containers of all sizes. It includes LED top and side lighting for a clear view of contents. Intuitive controls and a user-friendly touchscreen display allow to adjust the temperature, as well as the "Super Freeze" and "Economy" functions.



Wine cellar

Perfect wine storage

The wine cellar offers a high level of control to keep wine in the best possible conditions. In addition to the perfect temperature range, the humidity can be controlled through intuitive digital controls. A special function allows to age special red wines over long periods with complete control. Set precise temperature and control parameters and place the bottles inside, ensuring that they are stored in the best possible conditions.



Preserve your wine

The wine cellar includes a door with UV-protected, tinted, triple-layer glass to protect your precious wine collection from light damage. The compressor has a vibration damping system to ensure that your wine rests undisturbed until you are ready to enjoy it.

Umidity control

Choice of three humidity levels - low, medium and high - to keep your wine and corks in perfect condition.



Two temperature zones

Red wine and white wine can be stored safely at the same time by setting two different temperature zones between 4° and 18° C. Even if the refrigerator is filled to capacity, constant temperature and humidity are guaranteed and the wine is kept in perfect conditions.


Built-In Combi Bottom Mount

Styled to reflect Bertazzoni's meticulous attention to detail, these refrigerators They are practical too – incorporating the latest technology to retain the nutritional value, vitamins, minerals and texture of your food for longer. Designed for true flush installation in a standard depth cabinet, they are available in both stainless steel and integrated models for seamless installation with any adjacent cabinetry. They can be installed side-by-side to double your refrigerator space. The side-by-side installation kit lets you create clean lines in your kitchen. "Lift & swing" hinges are available on 90 cm and 75 cm models to allow a minimal vertical gap of 3mm between adjacent front cabinet panels.* Add the finishing touch with Professional, Master or Heritage Series handles to match the other appliances in your kitchen.

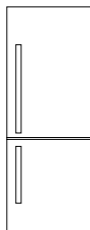
*only for integrated models

Built-in Bottom Mount

90 cm
H 212 cm
Stainless steel
Integrated
Professional, Master
and Heritage Series



75 cm
H212 cm
Stainless steel
Integrated
Professional, Master
and Heritage Series




70 cm
H193 cm
Integrated
Sliding Door
Door on door




Freestanding Bottom Mount

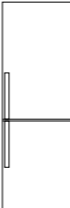
76 cm
H186 cm
Stainless steel
Professional, Master
and Heritage Series



70 cm
H192 cm
Stainless steel
Professional, Master
and Heritage Series



60 cm
H201 cm and H186 cm
Stainless steel
Professional, Master
and Heritage Series



LED surround lighting
Get a clear view even when the refrigerator is full

Intuitive controls
Digital LED user interface with pre-programmed options and precise digital sensors

Large capacity
Largest front-to-back depth in class (90 cm and 75 cm models)

Dual variable speed compressors and evaporators
Offer complete control and prevents flavour cross-over

Total No Frost technology
Longer food preservation with no frost build up

Large storage crispers
Full-width metal crisper keeps fruit and vegetables fresh for longer

Easy access
State of the-art-glides allow easy access and silent closing

Flex Zone – storage optimized
Convert freezer drawers to extra refrigerator space with optimized temperature

Hygienic and safe
Anti-bacterial treatment inside drawers makes the fridge easy to keep clean and hygienic

Lateral airflow system
Maintains consistent temperature when the door is opened

Super-freeze mode
Freezes fresh food 20% faster

Ice options
Select ice cube dimension. Increase ice production up to 50% with SuperIce function



Built-in bottom mount



Hygienic and safe

The antibacterial metal coating helps to keep the fridge clean and hygienic, with no build-up of harmful bacteria. The crisper has a commercial grade surface treatment and radius corners for easy cleaning.

Always fresh

Perfect temperature control is made possible by dedicated dual evaporators and dual variable-speed compressors for both fridge and freezer.

Large capacity

The 90 cm and 75 cm models boast the largest front-to-back usable depth in the built-in category. This gives added space for large crisper drawers to store more food.

Intuitive controls

Digital LED user interface with pre-programmed options and precise digital sensors.



Flex Zone – nutrients optimized

Flex Zone lets you convert the bottom freezer compartment into added refrigeration space to store fresh food or drinks.

Lateral airflow system

The lateral airflow system prevents cold air escaping when the door is opened.

“Lift & swing” hinges

These special hinges allow the front panel to sit with a minimal vertical gap of 1 mm between adjacent cabinet panels. Available on 90 cm and 75 cm models.



Metal Details

Metal trims on shelves, drawers and door bins that provide a premium feel.



Built-in Bottom mount



Super Cool & Super Freeze

Optimize temperature management when loading groceries.



Built-in fitted columns Intuitive interface

The touchscreen display was designed for maximum ease-of-use. The display shows the actual temperature inside the appliance, providing the most accurate feedback possible.



LED lighting

Perfect surround illumination with a fully back-lit LED panel.



Flush Installation

Reversible panel ready doors for left or right swing installation with Hettich sliding door hinges that allow for an installation with minimal side clearance to adjacent cabinets.

Dual Cooling Total No Frost

Frost-free technology keeps food fresher for longer, eliminates ice and bacteria formation.

Built-in Bottom mount



Metal Details

Metal trims on shelves, drawers and door bins that provide a premium feel.



Intuitive interface

The touchscreen display was designed for maximum ease-of-use. The display shows the actual temperature inside the appliance, providing the most accurate feedback possible.



LED lighting

Perfect surround illumination with a fully back-lit LED panel.



Flush Installation

Reversible panel ready doors for left or right swing installation with Hettich sliding door hinges that allow for an installation with minimal side clearance to adjacent cabinets.

Dual Cooling Total No Frost

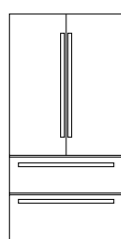
Frost-free technology keeps food fresher for longer, eliminates ice and bacteria formation.

Freestanding French Door

This Bertazzoni freestanding refrigerator model offers a high-tech blend of modern design and very reliable technology. This spacious fridge is incredibly efficient and can be matched to the stylish appearance the Professional, Master and Heritage Series with their stainless steel exteriors and handles. Designed for maximum ease and flexibility of use, the French Door model won the prestigious Interior Design – Best of Year awards.

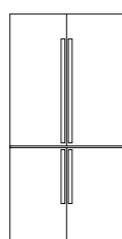
French door

90cm
Freestanding
Stainless steel
Professional, Master
and Heritage Series

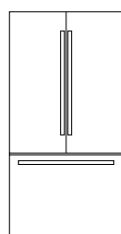


Cross door

84cm
Freestanding
Stainless steel
Professional, Master
and Heritage Series



90cm
Built-in
Panel ready
Professional, Master
and Heritage Series



Optional stainless steel door panel

Reversible doors for left or right installation

To and sidewall LED lights

Metal trims on shelves, drawers and bins

Internal water dispenser

Dual Cooling Total No Frost

Internal digital LED touch interface

FRESCO drawer with separate temperature control

Automatic ice maker

Dual Cooling Shield System

Flush installation

French Door

Stainless steel doors

Nice to look at and, thanks to the anti-fingerprint treatment, it is to maintain. The outer stainless-steel skin cleans easily with a cloth.



Adjustable shelf positioning

The 6 tempered glass shelves have no-spill edges and can be repositioned easily to help you to best use all the space in the fridge. The folding shelf makes it simple to store taller items.



Humidity control

These compartments are equipped with humidity control to perfectly store meat, fish and vegetables.

Super freeze

The Super freeze mode has a variable speed compressor that gives you a 20% faster freezing cycle of fresh food. This is ideal when you have been to the supermarket, cooling a full freezer of fresh food quickly to maintain nutrients and minerals.

Digital touch controls

Positioned at eye-level and within easy reach at the top of the refrigerator, the precision temperature control let you choose the perfect temperature for your needs. You can adjust the settings to cope with a fridge full of fresh food or to rapidly chill a dessert. The digital sensors make sure the LED display is always accurate.



Cross Door



Metal Details

Metal trims on shelves, drawers and door bins that provide a premium feel.



PureBreezeUV

UV technology kills bacteria and viruses and improves air quality.

Ambience Light

An LED strip surrounds the metal back panel of the refrigerator to provide maximum interior visibility.

Built-in fitted columns Intuitive interface

The touchscreen display was designed for maximum ease-of-use. The display shows the actual temperature inside the appliance, providing the most accurate feedback possible.

Reversible doors

The doors can be opened at 90° even if the unit is positioned near a wall or furniture.

Super Freeze

Optimize temperature management when loading groceries.

No Frost Multi Cooling

Two independent air circulation flows with two separate fans and evaporators for fridge and freezer.



Built-in Refrigerators Columns

90

Professional, Master and Heritage Series



LRD905UBRXTT
H 212
stainless steel door
right door hinges



LRD905UBRPTT
H 212
paneled door
right door hinges



LRD905UBLXTT
H 212
stainless steel door
left door hinges



LRD905UBLPTT
H 212
paneled door
left door hinges

75

Professional, Master and Heritage Series



LRD755UBRXTT
H 212
stainless steel door
right door hinges



LRD755UBRPTT
H 212
paneled door
right door hinges



LRD755UBLXTT
H 212
stainless steel door
left door hinges



LRD755UBLPTT
H 212
paneled door
left door hinges

60

Professional, Master and Heritage Series



LRD605UBRXTT
H 212
stainless steel door
right door hinges



LRD605UBRPTT
H 212
paneled door
right door hinges



LRD605UBLXTT
H 212
stainless steel door
left door hinges



LRD605UBLPTT
H 212
paneled door
left door hinges

Built-in Freezer Columns

75

Professional, Master and Heritage Series



FRZ755UBRXTT
H 212
stainless steel door
right door hinges



FRZ755UBRPTT
H 212
paneled door
right door hinges



FRZ755UBLXTT
H 212
stainless steel door
left door hinges



FRZ755UBLPTT
H 212
paneled door
left door hinges

60

Professional, Master and Heritage Series



FRZ605UBRXTT
H 212
stainless steel door
right door hinges



FRZ605UBRPTT
H 212
paneled door
right door hinges



FRZ605UBLXTT
H 212
stainless steel door
left door hinges



FRZ605UBLPTT
H 212
paneled door
left door hinges

45

Professional, Master and Heritage Series



FRZ455UBRXTT
H 212
stainless steel door
right door hinges



FRZ455UBRPTT
H 212
paneled door
right door hinges



FRZ455UBLXTT
H 212
stainless steel door
left door hinges



FRZ455UBLPTT
H 212
paneled door
left door hinges

Built-in Wine Columns

60

Professional, Master and Heritage Series



WC605BRX2T
H 212
stainless steel door
right door hinges



WC605BLX2T
H 212
stainless steel door
left door hinges



WC605BRP2T
H 212
stainless steel door
right door hinges



WC605BLP2T
H 212
stainless steel door
left door hinges

45

Professional, Master and Heritage Series



WC455BRX2T
H 212
stainless steel door
right door hinges



WC455BLX2T
H 212
stainless steel door
left door hinges



WC455BRP2T
H 212
stainless steel door
right door hinges



WC455BLP2T
H 212
stainless steel door
left door hinges

Built-in Columns

60

NEW



RLD75S5FPNS
Refrigerator slot-in column
H 212
panel ready



LRD603UBNPVC/20
Refrigerator H177
Built-in
single paneled door
right door hinges



FRZ603UBNPTC/20
Freezer H177
Built-in
single paneled door
right door hinges

45

NEW



RFZ45S5FPLS
RFZ45S5FPRS
Freezer column
H 212
panel ready
left/right hinges

Freestanding Columns

60

NEW



RFZ60F4FXNC
Freezer H186
freestanding
stainless steel
reversible

NEW



RLD60F4FXNC
Refrigerator H186
freestanding
stainless steel
reversible

Built-in bottom mount

90

Professional, Master and Heritage Series



REF905BBRXTT
H212
stainless steel door
right door hinges



REF905BBRPTT
H212
paneled door
right door hinges



REF905BBLXTT
H212
stainless steel door
left door hinges



REF905BBLPTT
H212
paneled door
left door hinges

75

Professional, Master and Heritage Series



REF755BBRXTT
H212
stainless steel door
right door hinges



REF755BBRPTT
H212
paneled door
right door hinges







REF755BBLXTT
H212
stainless steel door
left door hinges





REF755BBLPTT
H212
paneled door
left door hinges

Built-in bottom mount

90	75	60	
			
RBM90S5FPNS H212 panel ready reversible door	RBM75S5FPNS H212 panel ready reversible door	REF603BBNPVC/20 H177 door on door to panel reversible door	REF603BBNPVC-S/20 H177 sliding door to panel reversible door


70	60		
			
NEW REF704BBNPTC H193 door on door panel ready reversible	NEW REF704BBNPTC-S H193 sliding door panel ready reversible	NEW REF604BBNPTC H193 door on door panel ready reversible	NEW REF604BBNPTC-S H193 sliding door panel ready reversible

60	
	
NEW REF603BBNPTC H177 door on door panel ready reversible	NEW REF603BBNPTC-S H177 sliding door panel ready reversible


Freestanding bottom mount

76	70	60	
			
NEW RBM76F4FXNC H186 stainless steel reversible	NEW RBM70F4FXNC H192 stainless steel reversible	NEW RBM60F5FXNC H201 stainless steel reversible	NEW RBM60F4FXNC H186 stainless steel reversible

Freestanding Multi Door

90	84
Professional, Master and Heritage Series	
	
REF904FFNXTC Multi door H177,5 stainless steel door	NEW RCD84F4FXNC Cross door H179 stainless steel door

Built-in Multi Door

90
Professional, Master and Heritage Series

NEW RFD90S5FPNS French door H212 panel ready built-in

Built-in Refrigerators Columns



LRD905UBRXTT

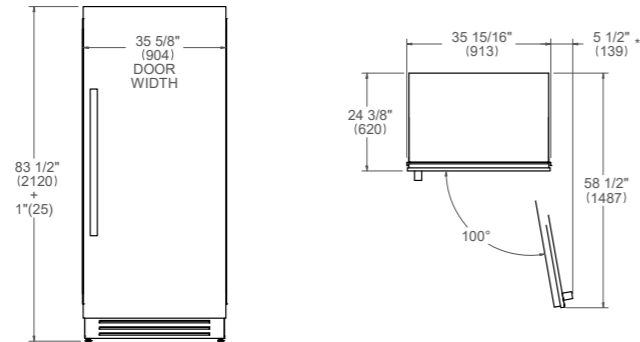
90 cm Refrigerator Built-in Column H212, stainless steel, right hinges

Features

- Total no frost cooling system
- flush installation
- Stainless steel finish with coordinated handles
- Inside digital display user interface
- LED lights on top and sides
- Opening door alarm
- 4 extra-large shelves height adjustable
- 3 drawers
- 3 bins
- refrigerator capacity 619L
- noise level 41 (Db)

Optional Accessories

- 901556 Master handles kit
- 901557 Professional handles kit
- 901558 Heritage handles kit



LRD905UBLXTT

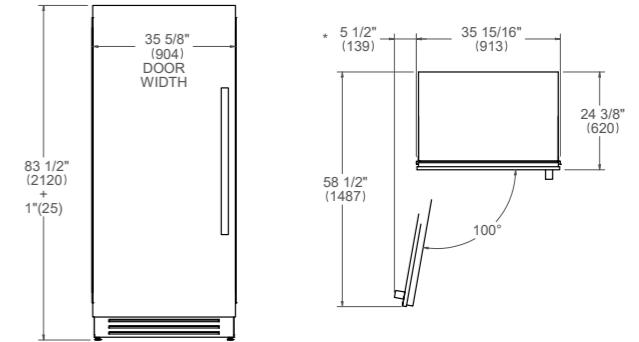
90 cm Refrigerator Built-in Column H212, stainless steel, left hinges

Features

- Total no frost cooling system
- flush installation
- Stainless steel finish with coordinated handles
- Inside digital display user interface
- LED lights on top and sides
- Opening door alarm
- 4 extra-large shelves height adjustable
- 3 drawers
- 3 bins
- refrigerator capacity 619L
- noise level 41 (Db)

Optional Accessories

- 901556 Master handles kit
- 901557 Professional handles kit
- 901558 Heritage handles kit



LRD905UBRPTT

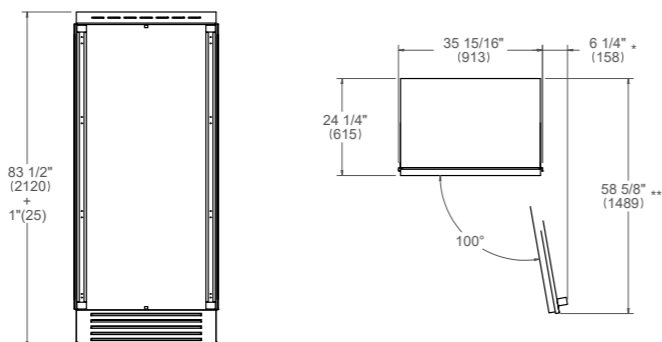
90 cm Refrigerator Built-in Column H212, to panel, right hinges

Features

- Total no frost cooling system
- flush installation
- to panel door
- Inside digital display user interface
- LED lights on top and sides
- Opening door alarm
- 4 extra-large shelves height adjustable
- 3 drawers
- 3 bins
- refrigerator capacity 619L
- noise level 41 (Db)

Optional Accessories

- 901556 Master handles kit
- 901557 Professional handles kit
- 901558 Heritage handles kit



LRD905UBLPTT

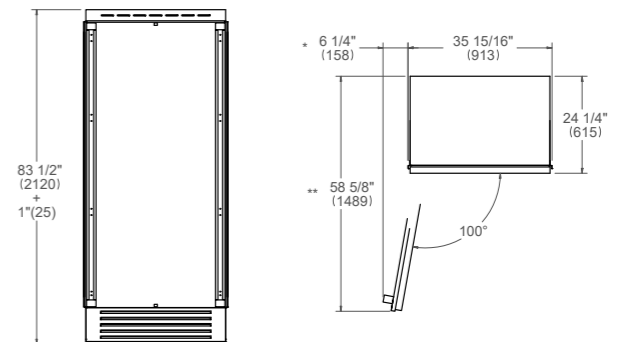
90 cm Refrigerator Built-in Column H212, to panel, left hinges

Features

- Total no frost cooling system
- flush installation
- to panel door
- Inside digital display user interface
- LED lights on top and sides
- Opening door alarm
- 4 extra-large shelves height adjustable
- 3 drawers
- 3 bins
- refrigerator capacity 619L
- noise level 41 (Db)

Optional Accessories

- 901556 Master handles kit
- 901557 Professional handles kit
- 901558 Heritage handles kit

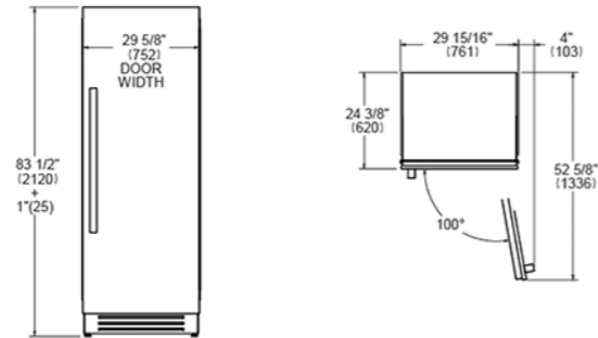


**LRD755UBRXTT****75 cm Refrigerator Built-in Column H212, stainless steel, right hinges****Features**

- Total no frost cooling system
- flush installation
- Stainless steel finish with coordinated handles
- Inside digital display user interface
- LED lights on top and sides
- Opening door alarm
- 4 extra-large shelves height adjustable
- 3 drawers
- 3 bins
- refrigerator capacity 494L
- noise level 41 (Db)

Optional Accessories

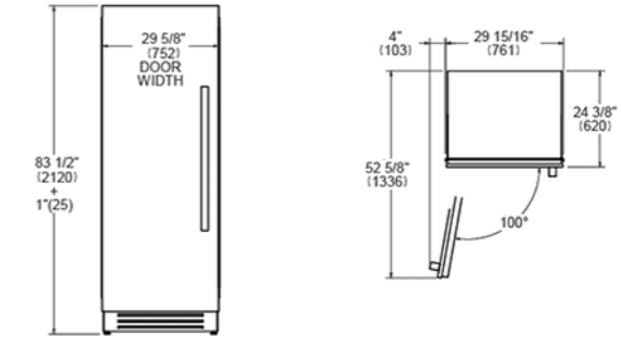
- 901556 Master handles kit
- 901557 Professional handles kit
- 901558 Heritage handles kit

**LRD755UBLXTT****75 cm Refrigerator Built-in Column H212, stainless steel, left hinges****Features**

- Total no frost cooling system
- flush installation
- Stainless steel finish with coordinated handles
- Inside digital display user interface
- LED lights on top and sides
- Opening door alarm
- 4 extra-large shelves height adjustable
- 3 drawers
- 3 bins
- refrigerator capacity 494L
- noise level 41 (Db)

Optional Accessories

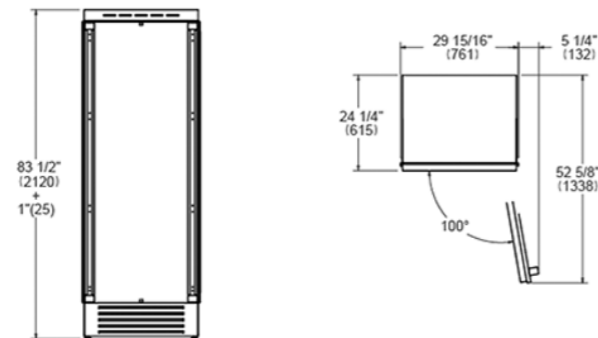
- 901556 Master handles kit
- 901557 Professional handles kit
- 901558 Heritage handles kit

**LRD755UBRPTT****75 cm Refrigerator Built-in Column H212, to panel, right hinges****Features**

- Total no frost cooling system
- flush installation
- to panel door
- Inside digital display user interface
- LED lights on top and sides
- Opening door alarm
- 4 extra-large shelves height adjustable
- 3 drawers
- 3 bins
- refrigerator capacity 494L
- noise level 41 (Db)

Optional Accessories

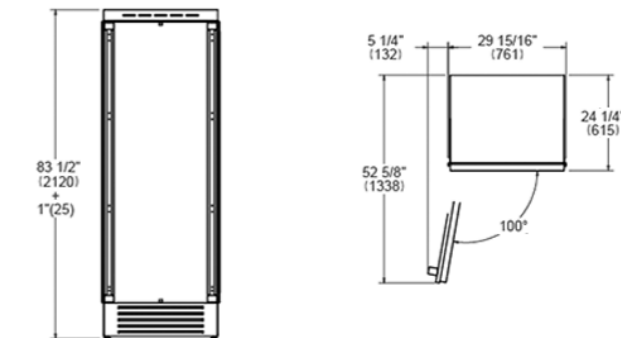
- 901556 Master handles kit
- 901557 Professional handles kit
- 901558 Heritage handles kit

**LRD755UBLPTT****75 cm Refrigerator Built-in Column H212, to panel, left hinges****Features**

- Total no frost cooling system
- flush installation
- to panel door
- Inside digital display user interface
- LED lights on top and sides
- Opening door alarm
- 4 extra-large shelves height adjustable
- 3 drawers
- 3 bins
- refrigerator capacity 494L
- noise level 41 (Db)

Optional Accessories

- 901556 Master handles kit
- 901557 Professional handles kit
- 901558 Heritage handles kit





LRD605UBRXTT

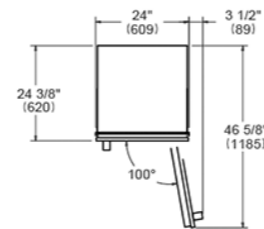
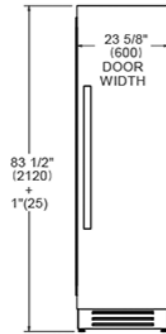
60 cm Refrigerator Built-in Column H212, stainless steel, right hinges

Features

- Total no frost cooling system
- flush installation
- Stainless steel finish with coordinated handles
- Inside digital display user interface
- LED lights on top and sides
- Opening door alarm
- 4 extra-large shelves height adjustable
- 3 drawers
- 3 bins
- refrigerator capacity 368L
- noise level 41 (Db)

Optional Accessories

- 901556 Master handles kit
- 901557 Professional handles kit
- 901558 Heritage handles kit



LRD605UBLXTT

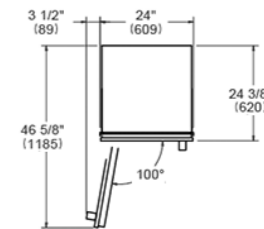
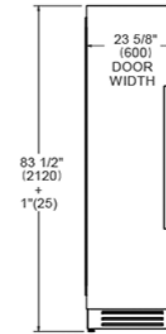
60 cm Refrigerator Built-in Column H212, stainless steel, left hinges

Features

- Total no frost cooling system
- flush installation
- Stainless steel finish with coordinated handles
- Inside digital display user interface
- LED lights on top and sides
- Opening door alarm
- 4 extra-large shelves height adjustable
- 3 drawers
- 3 bins
- refrigerator capacity 368L
- noise level 41 (Db)

Optional Accessories

- 901556 Master handles kit
- 901557 Professional handles kit
- 901558 Heritage handles kit



LRD605UBRPTT

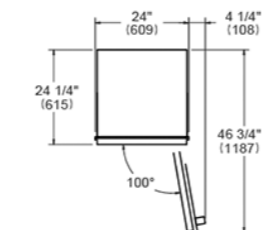
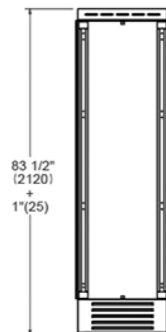
60 cm Refrigerator Built-in Column H212, to panel, right hinges

Features

- Total no frost cooling system
- flush installation
- to panel door
- Inside digital display user interface
- LED lights on top and sides
- Opening door alarm
- 4 extra-large shelves height adjustable
- 3 drawers
- 3 bins
- refrigerator capacity 368L
- noise level 41 (Db)

Optional Accessories

- 901556 Master handles kit
- 901557 Professional handles kit
- 901558 Heritage handles kit



LRD605UBLPTT

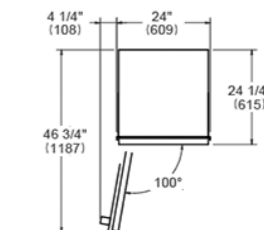
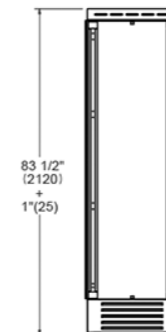
60 cm Refrigerator Built-in Column H212, to panel, left hinges

Features

- Total no frost cooling system
- flush installation
- to panel door
- Inside digital display user interface
- LED lights on top and sides
- Opening door alarm
- 4 extra-large shelves height adjustable
- 3 drawers
- 3 bins
- refrigerator capacity 368L
- noise level 41 (Db)

Optional Accessories

- 901556 Master handles kit
- 901557 Professional handles kit
- 901558 Heritage handles kit



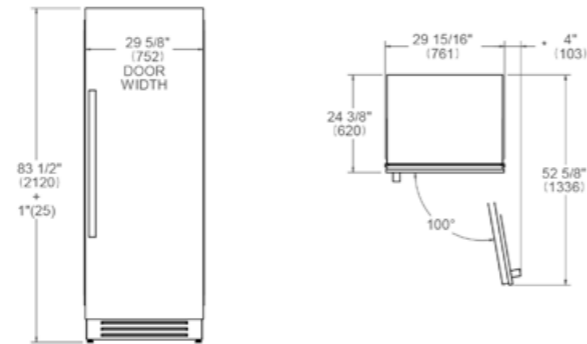
Built-in Freezer Columns

**FRZ755UBRXTT****75 cm Freezer Built-in Column H212, stainless steel, right hinges****Features**

- Total no frost cooling system
- flush installation
- Stainless steel finish with coordinated handles
- Inside digital display user interface
- LED lights on top and sides
- Opening door alarm
- 2 shelves
- 2 freezer drawers
- 2 bins
- automatic ice maker - ice production up to 1,3kg/24h
- freezer capacity 452L
- noise level 41 (Db)

Optional Accessories

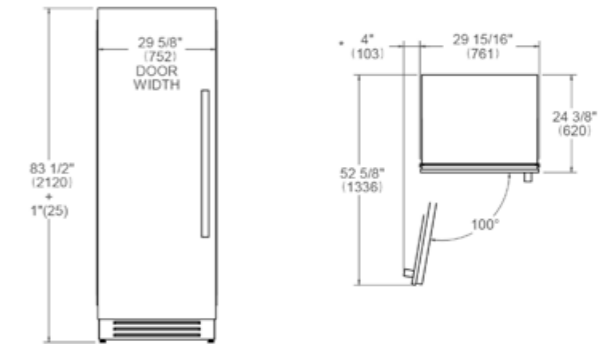
- 901556 Master handles kit
- 901557 Professional handles kit
- 901558 Heritage handles kit
- 901561 120cm bridge toekick

**FRZ755UBLXTT****75 cm Freezer Built-in Column H212, stainless steel, left hinges****Features**

- Total no frost cooling system
- flush installation
- Stainless steel finish with coordinated handles
- Inside digital display user interface
- LED lights on top and sides
- Opening door alarm
- 2 shelves
- 2 freezer drawers
- 2 bins
- automatic ice maker - ice production up to 1,3kg/24h
- freezer capacity 452L
- noise level 41 (Db)

Optional Accessories

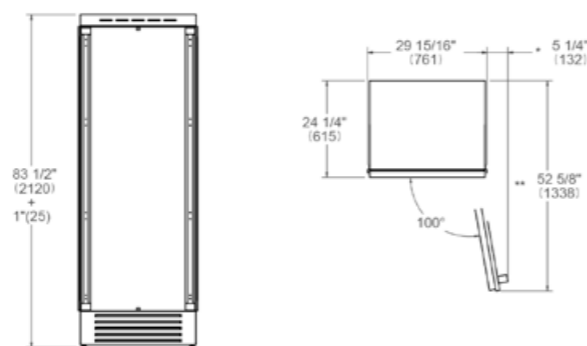
- 901556 Master handles kit
- 901557 Professional handles kit
- 901558 Heritage handles kit
- 901561 120cm bridge toekick

**FRZ755UBRPTT****60 cm Freezer Built-in Column H212, to panel, right hinges****Features**

- Total no frost cooling system
- flush installation
- Stainless steel finish with coordinated handles
- Inside digital display user interface
- LED lights on top and sides
- Opening door alarm
- 2 shelves
- 2 freezer drawers
- 2 bins
- automatic ice maker - ice production up to 1,3kg/24h
- freezer capacity 452L
- noise level 41 (Db)

Optional Accessories

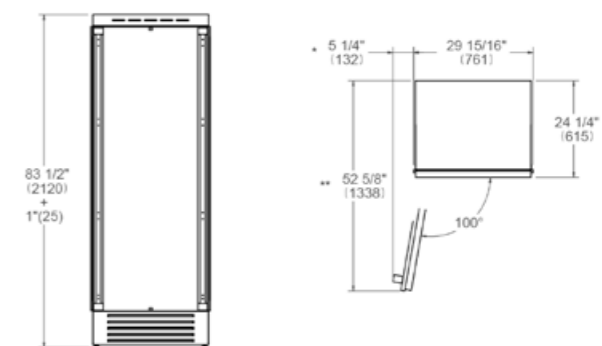
- 901556 Master handles kit
- 901557 Professional handles kit
- 901558 Heritage handles kit

**FRZ755UBLPTT****60 cm Freezer Built-in Column H212, to panel, left hinges****Features**

- Total no frost cooling system
- flush installation
- Stainless steel finish with coordinated handles
- Inside digital display user interface
- LED lights on top and sides
- Opening door alarm
- 2 shelves
- 2 freezer drawers
- 2 bins
- automatic ice maker - ice production up to 1,3kg/24h
- freezer capacity 452L
- noise level 41 (Db)

Optional Accessories

- 901556 Master handles kit
- 901557 Professional handles kit
- 901558 Heritage handles kit
- 901561 120cm bridge toekick





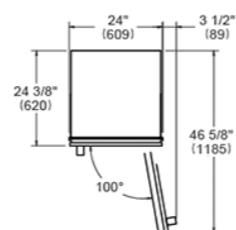
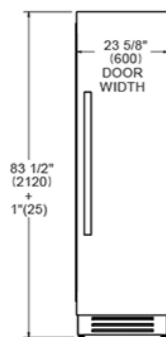
FRZ605UBRXTT
60 cm Freezer Built-in Column H212, stainless steel, right hinges

Features

- Total no frost cooling system
- flush installation
- Stainless steel finish with coordinated handles
- Inside digital display user interface
- LED lights on top and sides
- Opening door alarm
- 2 shelves
- 2 freezer drawers
- 2 bins
- automatic ice maker - ice production up to 1,3kg/24h
- freezer capacity 342L
- noise level 41 (Db)

Optional Accessories

- 901556 Master handles kit
- 901557 Professional handles kit
- 901558 Heritage handles kit



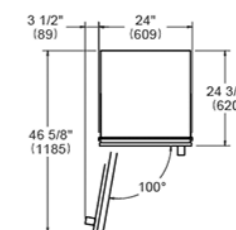
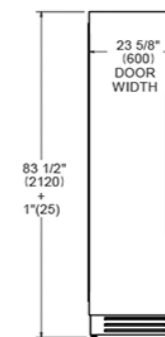
FRZ605UBLXTT
60 cm Freezer Built-in Column H212, stainless steel, left hinges

Features

- Total no frost cooling system
- flush installation
- Stainless steel finish with coordinated handles
- Inside digital display user interface
- LED lights on top and sides
- Opening door alarm
- 2 shelves
- 2 freezer drawers
- 2 bins
- automatic ice maker - ice production up to 1,3kg/24h
- freezer capacity 342L
- noise level 41 (Db)

Optional Accessories

- 901556 Master handles kit
- 901557 Professional handles kit
- 901558 Heritage handles kit



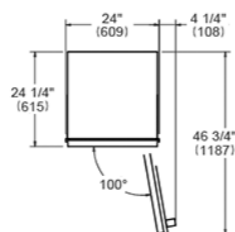
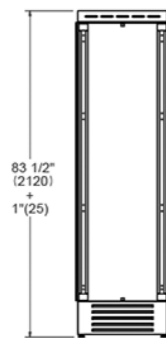
FRZ605UBRPTT
60 cm Freezer Built-in Column H212, to panel, right hinges

Features

- Total no frost cooling system
- flush installation
- to panel door
- Inside digital display user interface
- LED lights on top and sides
- Opening door alarm
- 2 shelves
- 2 freezer drawers
- 2 bins
- automatic ice maker - ice production up to 1,3kg/24h
- freezer capacity 342L
- noise level 41 (Db)

Optional Accessories

- 901556 Master handles kit
- 901557 Professional handles kit
- 901558 Heritage handles kit



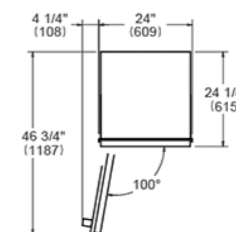
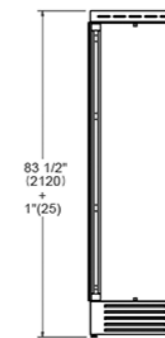
FRZ605UBLPTT
60 cm Freezer Built-in Column H212, to panel, left hinges

Features

- Total no frost cooling system
- flush installation
- to panel door
- Inside digital display user interface
- LED lights on top and sides
- Opening door alarm
- 2 shelves
- 2 freezer drawers
- 2 bins
- automatic ice maker - ice production up to 1,3kg/24h
- freezer capacity 342L
- noise level 41 (Db)

Optional Accessories

- 901556 Master handles kit
- 901557 Professional handles kit
- 901558 Heritage handles kit





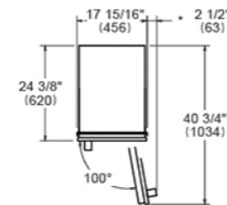
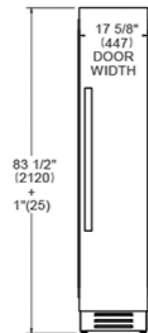
FRZ455UBRXTT
45 cm Freezer Built-in Column H212, stainless steel, right hinges

Features

- Total no frost cooling system
- flush installation
- Stainless steel finish with coordinated handles
- Inside digital display user interface
- LED lights on top and sides
- Opening door alarm
- 2 shelves
- 2 freezer drawers
- 2 bins
- automatic ice maker - ice production up to 1,3kg/24h
- freezer capacity 223L
- noise level 41 (Db)

Optional Accessories

- 901556 Master handles kit
- 901557 Professional handles kit
- 901558 Heritage handles kit



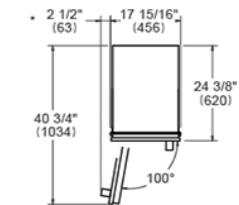
FRZ455UBLXTT
45 cm Freezer Built-in Column H212, stainless steel, left hinges

Features

- Total no frost cooling system
- flush installation
- Stainless steel finish with coordinated handles
- Inside digital display user interface
- LED lights on top and sides
- Opening door alarm
- 2 shelves
- 2 freezer drawers
- 2 bins
- automatic ice maker - ice production up to 1,3kg/24h
- freezer capacity 223L
- noise level 41 (Db)

Optional Accessories

- 901556 Master handles kit
- 901557 Professional handles kit
- 901558 Heritage handles kit



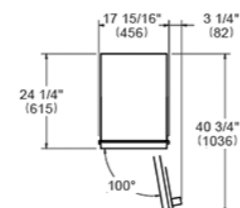
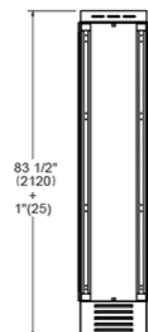
FRZ455UBRPTT
45 cm Freezer Built-in Column H212, to panel, right hinges

Features

- Total no frost cooling system
- flush installation
- to panel door
- Inside digital display user interface
- LED lights on top and sides
- Opening door alarm
- 2 shelves
- 2 freezer drawers
- 2 bins
- automatic ice maker - ice production up to 1,3kg/24h
- freezer capacity 223L
- noise level 41 (Db)

Optional Accessories

- 901556 Master handles kit
- 901557 Professional handles kit
- 901558 Heritage handles kit



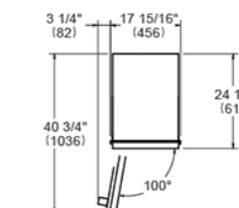
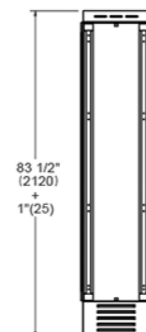
FRZ455UBLPTT
45 cm Freezer Built-in Column H212, to panel, left hinges

Features

- Total no frost cooling system
- flush installation
- to panel door
- Inside digital display user interface
- LED lights on top and sides
- Opening door alarm
- 2 shelves
- 2 freezer drawers
- 2 bins
- automatic ice maker - ice production up to 1,3kg/24h
- freezer capacity 223L
- noise level 41 (Db)

Optional Accessories

- 901556 Master handles kit
- 901557 Professional handles kit
- 901558 Heritage handles kit



Built-in Wine Columns



WC605BRX2T

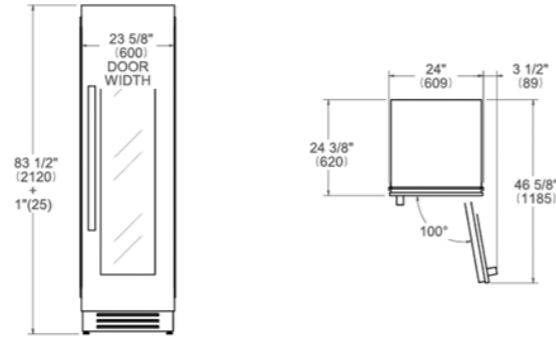
60 cm Built-in wine column H212, stainless steel, right hinges

Features

- Two separate temperature zones for red and white wine – between 4°C and 18°C
- flush installation
- stainless steel finish with coordinated handles
- Inside digital display user interface
- LED lights on top and sides
- Opening door alarm
- lateral air flow
- ageing function for red wine
- Glass with anti-UV treatment protects bottles from ultraviolet rays and light damage
- 12 premium solid wood shelves
- total capacity 80 bottles
- noise level 41 (Db)

Optional Accessories

- 901556 Master handles kit
- 901557 Professional handles kit
- 901558 Heritage handles kit



WC605BRP2T

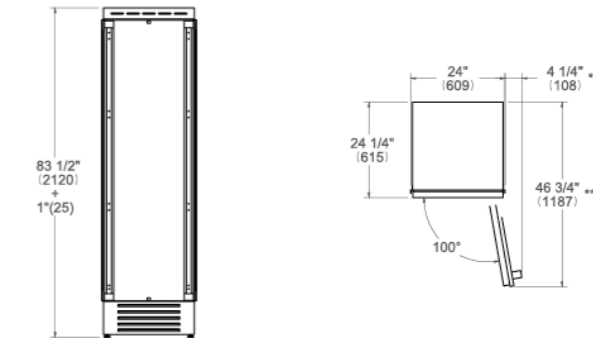
60 cm Built-in wine column H212, to panel, right hinges

Features

- Two separate temperature zones for red and white wine – between 4°C and 18°C
- flush installation
- to panel door
- Inside digital display user interface
- LED lights on top and sides
- Opening door alarm
- lateral air flow
- ageing function for red wine
- Glass with anti-UV treatment protects bottles from ultraviolet rays and light damage
- 12 premium solid wood shelves
- total capacity 80 bottles
- noise level 41 (Db)

Optional Accessories

- 901556 Master handles kit
- 901557 Professional handles kit
- 901558 Heritage handles kit



WC605BLX2T

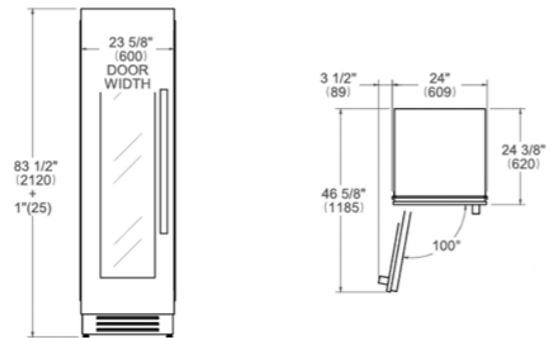
60 cm Built-in wine column H212, stainless steel, left hinges

Features

- Two separate temperature zones for red and white wine – between 4°C and 18°C
- flush installation
- stainless steel finish with coordinated handles
- Inside digital display user interface
- LED lights on top and sides
- Opening door alarm
- lateral air flow
- ageing function for red wine
- Glass with anti-UV treatment protects bottles from ultraviolet rays and light damage
- 12 premium solid wood shelves
- total capacity 80 bottles
- noise level 41 (Db)

Optional Accessories

- 901556 Master handles kit
- 901557 Professional handles kit
- 901558 Heritage handles kit



WC605BLP2T

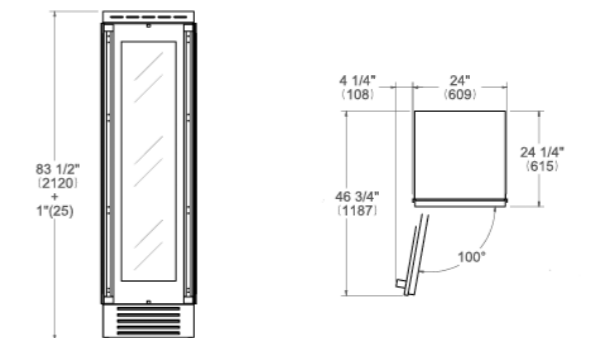
60 cm Built-in wine column H212, to panel, left hinges

Features

- Two separate temperature zones for red and white wine – between 4°C and 18°C
- flush installation
- to panel door
- Inside digital display user interface
- LED lights on top and sides
- Opening door alarm
- lateral air flow
- ageing function for red wine
- Glass with anti-UV treatment protects bottles from ultraviolet rays and light damage
- 12 premium solid wood shelves
- total capacity 80 bottles
- noise level 41 (Db)

Optional Accessories

- 901556 Master handles kit
- 901557 Professional handles kit
- 901558 Heritage handles kit





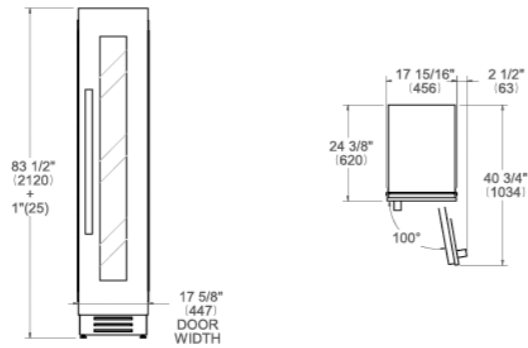
WC455BRX2T
60 cm Built-in wine column H212, stainless steel, right hinges

Features

- Two separate temperature zones for red and white wine – between 4°C and 18°C
- flush installation
- stainless steel finish with coordinated handles
- Inside digital display user interface
- LED lights on top and sides
- Opening door alarm
- lateral air flow
- ageing function for red wine
- Glass with anti-UV treatment protects bottles from ultraviolet rays and light damage
- 12 premium solid wood shelves
- total capacity 52 bottles
- noise level 41 (Db)

Optional Accessories

- 901556 Master handles kit
- 901557 Professional handles kit
- 901558 Heritage handles kit



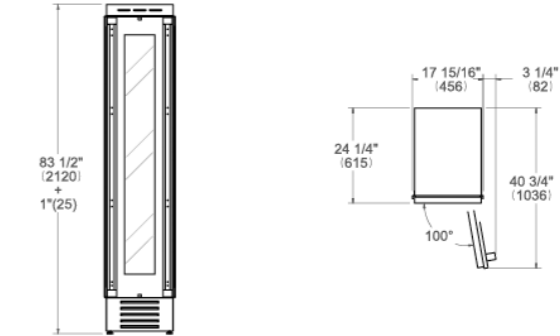
WC455BRP2T
45 cm Built-in wine column H212, to panel, right hinges

Features

- Two separate temperature zones for red and white wine – between 4°C and 18°C
- flush installation
- to panel door
- Inside digital display user interface
- LED lights on top and sides
- Opening door alarm
- lateral air flow
- ageing function for red wine
- Glass with anti-UV treatment protects bottles from ultraviolet rays and light damage
- 12 premium solid wood shelves
- total capacity 52 bottles
- noise level 41 (Db)

Optional Accessories

- 901556 Master handles kit
- 901557 Professional handles kit
- 901558 Heritage handles kit



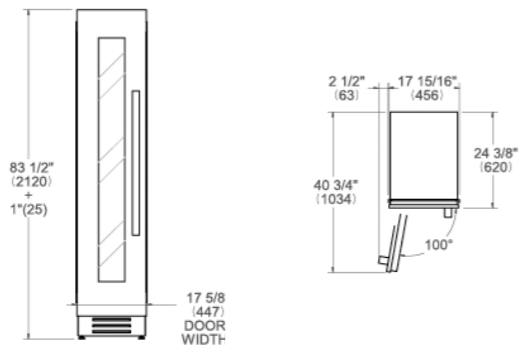
WC455BLX2T
60 cm Built-in wine column H212, stainless steel, left hinges

Features

- Two separate temperature zones for red and white wine – between 4°C and 18°C
- flush installation
- stainless steel finish with coordinated handles
- Inside digital display user interface
- LED lights on top and sides
- Opening door alarm
- lateral air flow
- ageing function for red wine
- Glass with anti-UV treatment protects bottles from ultraviolet rays and light damage
- 12 premium solid wood shelves
- total capacity 52 bottles
- noise level 41 (Db)

Optional Accessories

- 901556 Master handles kit
- 901557 Professional handles kit
- 901558 Heritage handles kit



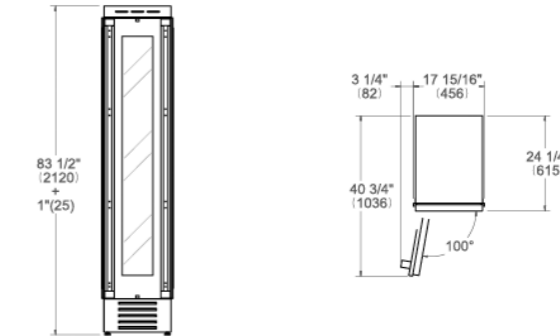
WC455BLP2T
45 cm Built-in wine column H212, to panel, left hinges

Features

- Two separate temperature zones for red and white wine – between 4°C and 18°C
- flush installation
- to panel door
- Inside digital display user interface
- LED lights on top and sides
- Opening door alarm
- lateral air flow
- ageing function for red wine
- Glass with anti-UV treatment protects bottles from ultraviolet rays and light damage
- 12 premium solid wood shelves
- total capacity 52 bottles
- noise level 41 (Db)

Optional Accessories

- 901556 Master handles kit
- 901557 Professional handles kit
- 901558 Heritage handles kit



Built-in Columns

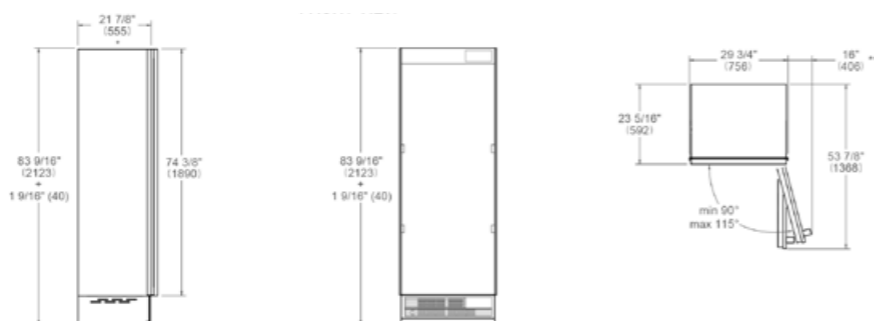
NEW

**RLD75S5FPNS****75cm refrigerator slot-in column H212, panel ready****Features**

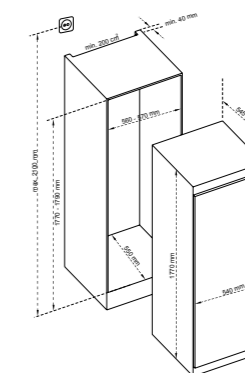
- no frost cooling system
- flush installation
- internal Stainless steel back wall
- Internal digital LED touch interface
- LED lights on sides and top
- open door alarm
- 1 stationary shelf + 3 height adjustable shelves
- 1 crisper + 3 fresco drawers with separate temperature control
- 1 height-adjustable gallon size + 2 stationary bins
- Internal water dispenser
- Total capacity 470lt

Optional Accessories

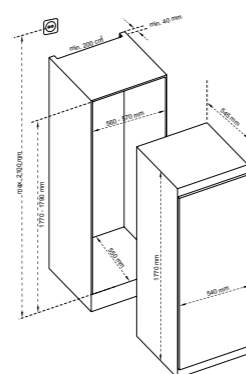
- HERHKCOL Handle kit - Heritage series
- MASHKCOL Handle kit - Master series
- PROHKCOL Handle kit - Professional series
- SP30CX Stainless steel door panel kit
- Z370001 Replacement water filter

**FRZ603UBNPTC/20****60cm freezer column H177 single door****Features**

- no frost cooling system
- door on door installation system
- to panel door
- LED touch user interface
- LED lights on top and sides
- 6 drawers + 2 flap drawers
- functions: temperature setting, super cooling, economy
- manual ice maker with extractable tray
- total capacity 197lt

**LRD603UBNPVC/20****60cm refrigerator coloumn H177 single door****Features**

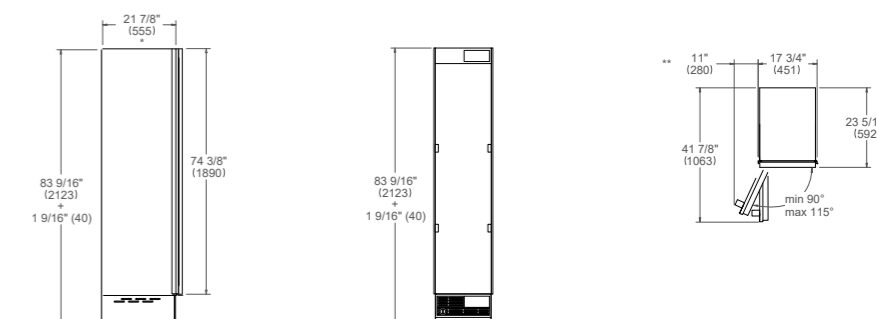
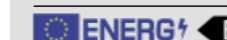
- ventilated cooling system
- door on door installation system
- to panel door
- LED touch user interface
- LED lights on top and sides
- 1 drawer + 1 drawer with humidity control
- 4 shelves + 1 bottle compartment
- 5 door storage compartments including 1 diary height adjustable
- functions: temperature setting, super cooling, economy
- total capacity 294lt



NEW

**RFZ45S5FPLS-RFZ45S5FPRS****45cm freezer built-in****Features**

- no frost cooling system
- flush installation
- internal Stainless steel back wall
- internal digital LED touch interface
- LED lights on sides and top
- open door alarm
- 1 stationary shelf + 3 height adjustable shelves
- 4 drawers
- 3 height-adjustable bins
- automatic ice maker 1,8KG/24H
- total capacity 245lt

**Optional Accessories**

- HERHKCOL Handle kit - Heritage series
- MASHKCOL Handle kit - Master series
- PROHKCOL Handle kit - Professional series
- SP18CX Stainless steel door panel kit
- Z370001 Replacement water filter

Freestanding Columns

NEW

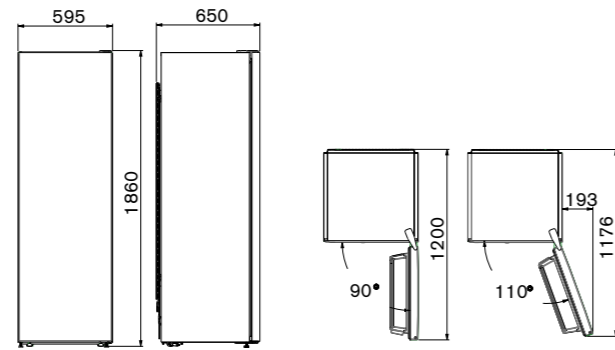


RLD60F4FXNC

60cm refrigerator column H186, freestanding

Features

- no frost cooling system
- reversible door hinges
- stainless steel finish
- internal LED touch user interface
- LED lights on top and sides
- 2 drawers with humidity control
- 5 adjustable shelves + 1 stationary shelf
- 4 adjustable door bins + 1 gallon-sized bin
- functions: temperature setting, super cooling, economy
- total capacity 389lt



Built-in bottom mount



REF905BBRXTT

90cm refrigerator H212, stainless steel door, right door hinges

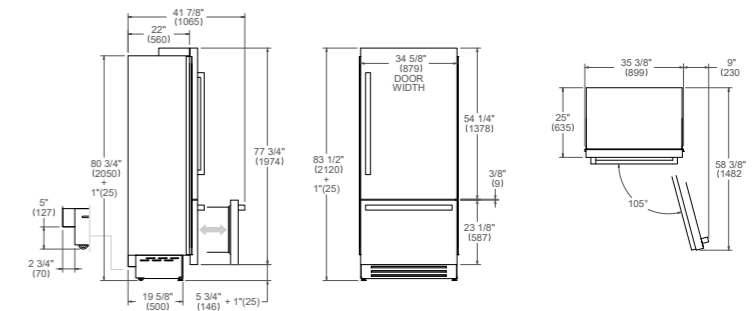
Features

- Total no frost cooling system
- Stainless steel finish with coordinated handles
- Inside digital display user interface
- LED lights on top and sides
- Opening door alarm
- 2 crispers and 3 shelves
- 2 stainless steel refrigerator drawers with anti-bacterial treatment
- 1+1 freezer drawer with ice tray
- 3 door storage compartments
- Ice maker
- Refrigerator capacity 446lt, freezer capacity 150lt, total capacity 596lt
- 220-240 V, 50 Hz, Climatic class T/SN



Optional Accessories

- 901470 kit installation side by side
- 901462 Professional handles kit built-in style
- 901463 Master handles kit
- 901509 Heritage handles kit built-in style



NEW

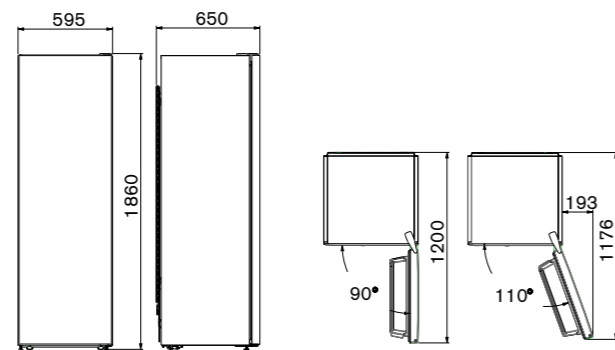


RFZ60F4FXNC

60cm freezer column H186, freestanding

Features

- no frost cooling system
- reversible door hinges
- stainless steel finish
- internal LED touch user interface
- LED lights on top and sides
- 5 drawers
- 2 glass shelves
- 2 door bins
- manual ice maker
- functions: economy, super freeze
- total capacity 278lt



REF905BBRPTT

90cm refrigerator H212, to panel door, right door hinges

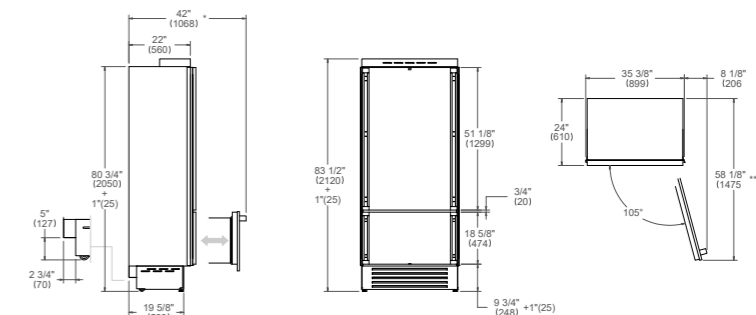
Features

- Total no frost cooling system
- Stainless steel finish with coordinated handles
- Inside digital display user interface
- LED lights on top and sides
- Opening door alarm
- 2 crispers and 3 shelves
- 2 stainless steel refrigerator drawers with anti-bacterial treatment
- 1+1 freezer drawer with ice tray
- 3 door storage compartments
- Ice maker
- Refrigerator capacity 446lt, freezer capacity 150lt, total capacity 596lt
- 220-240 V, 50 Hz, Climatic class T/SN



Optional Accessories

- 901462 Professional handles kit built-in style
- 901463 Master handles kit
- 901469 kit installation side by side
- 901509 Heritage handles kit built-in style





REF905BBLXTT

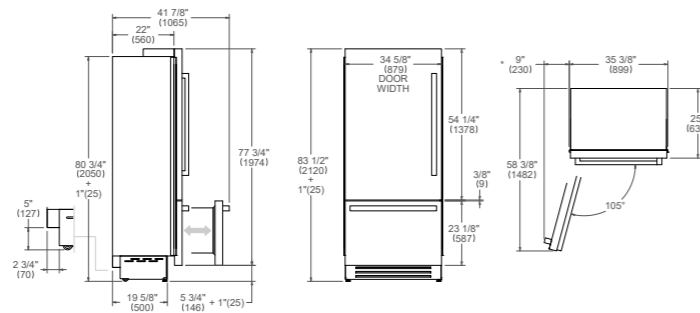
90cm refrigerator H212, stainless steel door, left door hinges

Features

- Total no frost cooling system
- Stainless steel finish with coordinated handles
- Inside digital display user interface
- LED lights on top and sides
- Opening door alarm
- 2 crispers and 3 shelves
- 2 stainless steel refrigerator drawers with anti-bacterial treatment
- 1+1 freezer drawer with ice tray
- 3 door storage compartments
- Ice maker
- Refrigerator capacity 446lt, freezer capacity 150lt, total capacity 596lt
- 220-240 V, 50 Hz, Climatic class T/SN

Optional Accessories

- 901462 Professional handles kit built-in style
- 901463 Master handles kit
- 901470 kit installation side by side
- 901509 Heritage handles kit built-in style



REF755BBRXTT

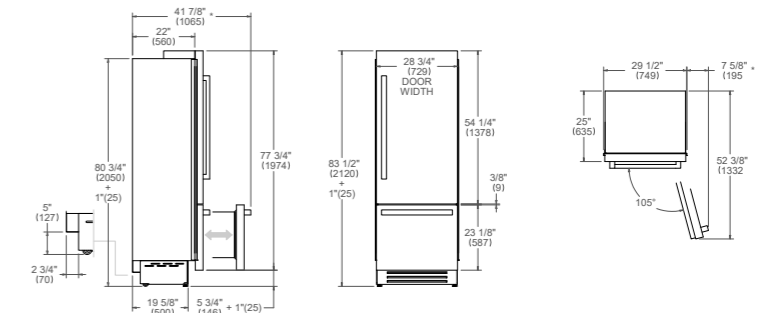
75cm refrigerator H212, stainless steel door, right door hinges

Features

- Total no frost cooling system
- Stainless steel finish with coordinated handles
- Inside digital display user interface
- LED lights on top and sides
- Opening door alarm
- 2 crispers and 3 shelves
- 2 stainless steel refrigerator drawers with anti-bacterial treatment
- 1+1 freezer drawer with ice tray
- 3 door storage compartments
- Ice maker
- Refrigerator capacity 353lt, freezer capacity 120lt, total capacity 473lt
- 220-240 V, 50 Hz, Climatic class T/SN

Optional Accessories

- 901466 Master handles kit
- 901467 Professional handles kit built-in style
- 901470 kit installation side by side
- 901510 Heritage handles kit built-in style



REF905BBLPTT

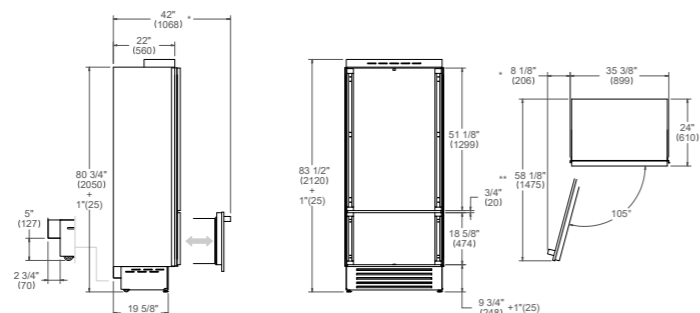
90cm refrigerator H212, to panel door, left door hinges

Features

- Total no frost cooling system
- Stainless steel finish with coordinated handles
- Inside digital display user interface
- LED lights on top and sides
- Opening door alarm
- 2 crispers and 3 shelves
- 2 stainless steel refrigerator drawers with anti-bacterial treatment
- 1+1 freezer drawer with ice tray
- 3 door storage compartments
- Ice maker
- Refrigerator capacity 446lt, freezer capacity 150lt, total capacity 596lt
- 220-240 V, 50 Hz, Climatic class T/SN

Optional Accessories

- 901462 Professional handles kit built-in style
- 901463 Master handles kit
- 901469 kit installation side by side
- 901509 Heritage handles kit built-in style



REF755BBRPTT

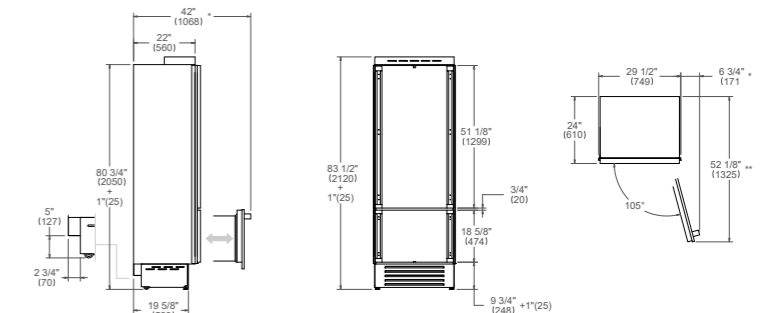
75cm refrigerator H212, to panel door, right door hinges

Features

- Total no frost cooling system
- Stainless steel finish with coordinated handles
- Inside digital display user interface
- LED lights on top and sides
- Opening door alarm
- 2 crispers and 3 shelves
- 2 stainless steel refrigerator drawers with anti-bacterial treatment
- 1+1 freezer drawer with ice tray
- 3 door storage compartments
- Ice maker
- Refrigerator capacity 353lt, freezer capacity 120lt, total capacity 473lt
- 220-240 V, 50 Hz, Climatic class T/SN

Optional Accessories

- 901466 Master handles kit
- 901467 Professional handles kit built-in style
- 901469 kit installation side by side
- 901510 Heritage handles kit built-in style





REF755BBLXTT

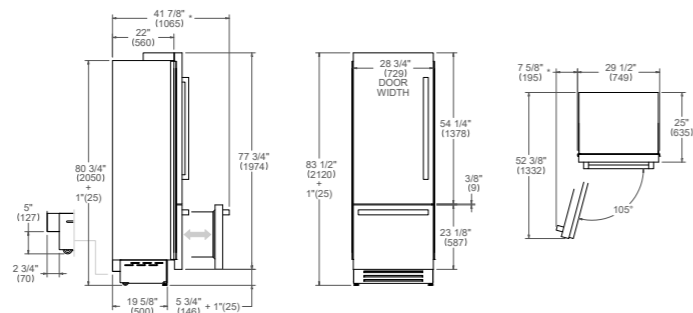
75cm refrigerator H212, stainless steel door, left door hinges

Features

- Total no frost cooling system
- Stainless steel finish with coordinated handles
- Inside digital display user interface
- LED lights on top and sides
- Opening door alarm
- 2 crispers and 3 shelves
- 2 stainless steel refrigerator drawers with anti-bacterial treatment
- 1+1 freezer drawer with ice tray
- 3 door storage compartments
- Ice maker
- Refrigerator capacity 353lt, freezer capacity 120lt, total capacity 473lt
- 220-240 V, 50 Hz, Climatic class T/SN

Optional Accessories

- 901466 Master handles kit
- 901467 Professional handles kit built-in style
- 901470 kit installation side by side
- 901510 Heritage handles kit built-in style



NEW



RBM90S5FPNS

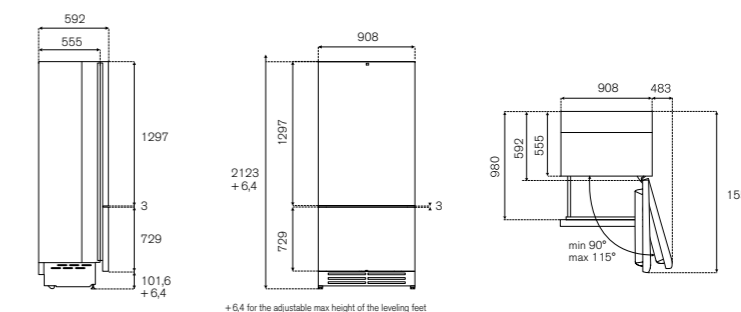
90cm bottom mount refrigerator H212, panel ready, right door hinges

Features

- Total no frost cooling system
- flush installation
- panel ready reversible door
- internal LED touch interface
- LED lights on top and sides
- 1 refrigerator drawer + 1 Fresco drawer with separated humidity control
- 2 freezer drawers
- 2 adjustable bins + 1 gallon-sized bin
- automatic ice maker - 1,8 kg/24h
- refrigerator capacity 399lt, freezer capacity 157lt, total 556lt

Optional Accessories

- 901462 Professional handle kit
- 901463 Master handle kit
- 901509 Heritage handle kit connection kit
- 901602 stainless steel panel kit
- 901609 décor set-copper finish
- 901538 décor set-black nickel finish
- 901541 décor set-gold finish
- Z370001 spare part water filter



REF755BBLPTT

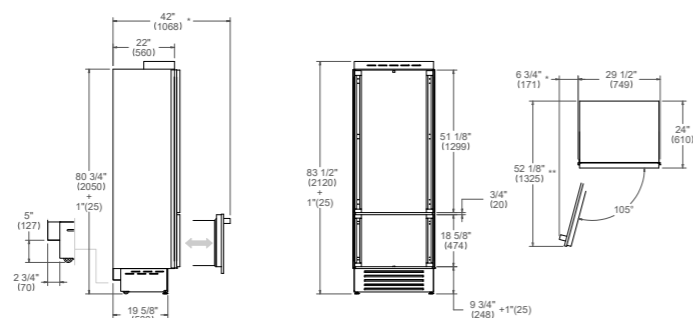
75cm refrigerator H212, to panel door, left door hinges

Features

- Total no frost cooling system
- Stainless steel finish with coordinated handles
- Inside digital display user interface
- LED lights on top and sides
- Opening door alarm
- 2 crispers and 3 shelves
- 2 stainless steel refrigerator drawers with anti-bacterial treatment
- 1+1 freezer drawer with ice tray
- 3 door storage compartments
- Ice maker
- Refrigerator capacity 353lt, freezer capacity 120lt, total capacity 473lt
- 220-240 V, 50 Hz, Climatic class T/SN

Optional Accessories

- 901466 Master handles kit
- 901467 Professional handles kit built-in style
- 901469 kit installation side by side
- 901510 Heritage handles kit built-in style



NEW



RBM75S5FPNS

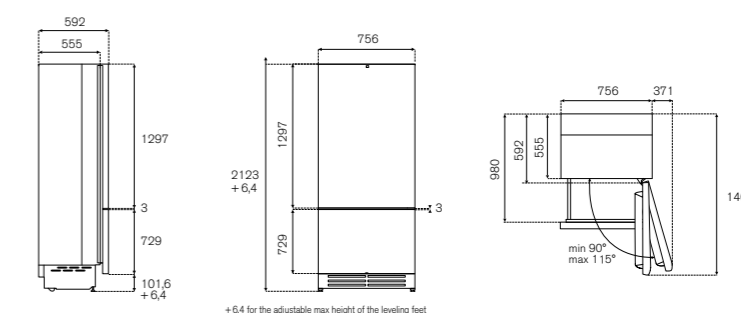
75cm bottom mount refrigerator H212, panel ready, right door hinges

Features

- Total no frost cooling system
- flush installation
- panel ready reversible door
- internal LED touch interface
- LED lights on top and sides
- 1 refrigerator drawer + 1 Fresco drawer with separated humidity control
- 2 freezer drawers
- 2 adjustable bins + 1 gallon-sized bin
- automatic ice maker - 1,8 kg/24h
- refrigerator capacity 323lt, freezer capacity 126lt, total 449lt

Optional Accessories

- 901466 Master handle kit
- 901467 Professional handle kit
- 901510 Heritage handle kit connection kit
- 901538 décor set-copper finish
- 901539 décor set-black nickel finish
- 901541 décor set-gold finish
- 901602 stainless steel panel kit
- Z370001 spare part water filter



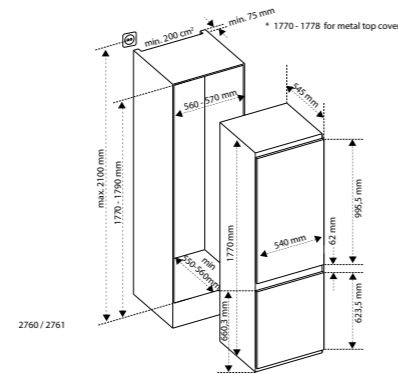


REF603BBNPVC/20

60cm H177 door on door

Features

- frost free cooling system
- white finishes
- inside digital display user interface
- LED lights on top and sides
- opening door alarm
- 4 shelves + bottle compartment
- 4 door storage compartments
- 3 freezer drawers
- manual ice maker with extractable tray
- refrigerator capacity 180lt, freezer capacity 63lt, total capacity 242lt
- 220-240 V, 50 Hz, Climatic class N/ST/T



NEW

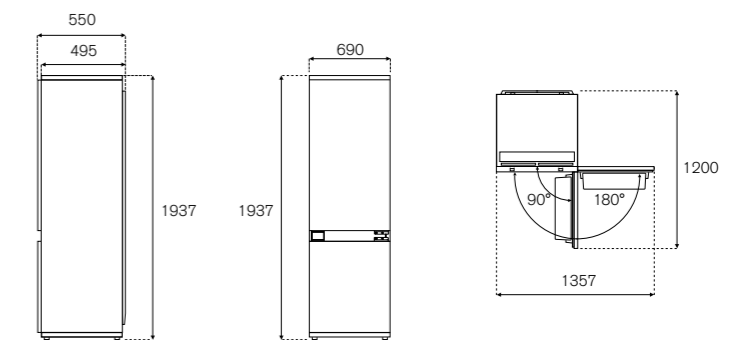


REF704BBNPTC

70cm refrigerator H193, panel ready, door on door

Features

- total no frost cooling system
- flush installation
- reversible door hinges
- internal LED touch interface
- functions: super cool, super freeze, eco mode, vacation mode
- backlit LED panel
- 1 refrigerator drawer + 1 Fresco drawer with separated temperature control
- 3 freezer drawers
- 3 adjustable bins + 1 gallon-sized bin
- refrigerator capacity 257lt, freezer capacity 84lt, total 341lt

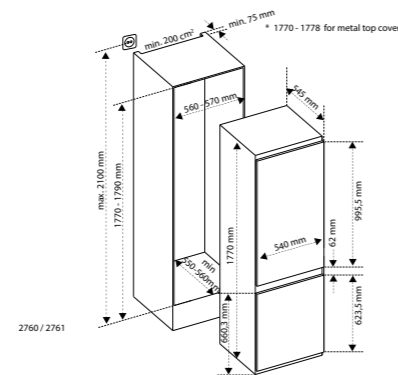


REF603BBNPVC-S/20

60cm H177 sliding door

Features

- frost free cooling system
- white finishes
- inside digital display user interface
- LED lights on top and sides
- opening door alarm
- 4 shelves + bottle compartment
- 4 door storage compartments
- 3 freezer drawers
- manual ice maker with extractable tray
- refrigerator capacity 180lt, freezer capacity 63lt, total capacity 242lt
- 220-240 V, 50 Hz, Climatic class N/ST/T



NEW

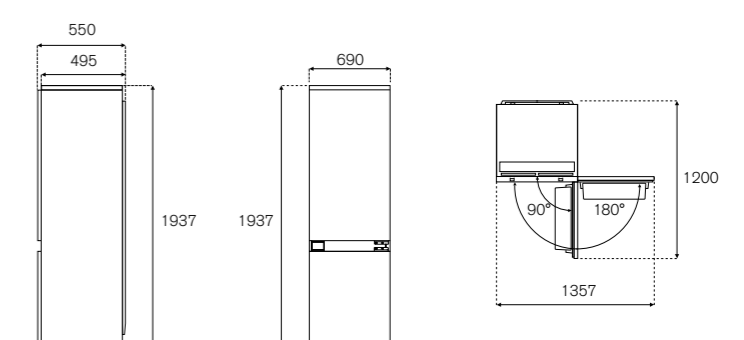


REF704BBNPTC-S

70cm refrigerator H193, panel ready, sliding door

Features

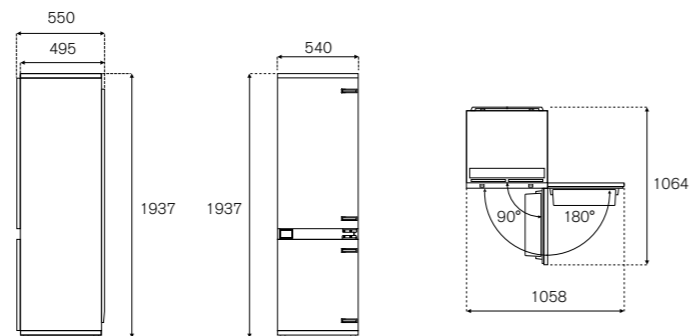
- total no frost cooling system
- flush installation
- reversible door hinges
- internal LED touch interface
- functions: super cool, super freeze, eco mode, vacation mode
- backlit LED panel
- 1 refrigerator drawer + 1 Fresco drawer with separated temperature control
- 3 freezer drawers
- 3 adjustable bins + 1 gallon-sized bin
- refrigerator capacity 257lt, freezer capacity 84lt, total 341lt



NEW

**REF604BBNPTC****60cm refrigerator H193, panel ready, door on door****Features**

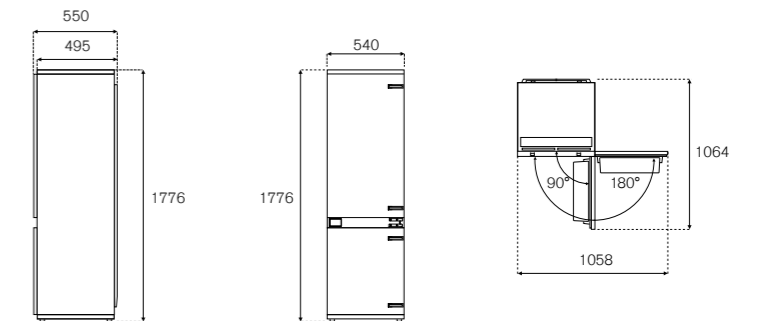
- total no frost cooling system
- flush installation
- reversible door hinges
- internal LED touch interface
- functions: super cool, super freeze, eco mode, vacation mode
- backlit LED panel
- 1 refrigerator drawer + 1 Fresco drawer with separated temperature control and adjustable humidity
- 3 freezer drawers
- 3 adjustable bins + 1 gallon-sized bin
- refrigerator capacity 200lt, freezer capacity 67lt, total 267lt



NEW

**REF603BBNPTC****60cm refrigerator H177, panel ready, door on door****Features**

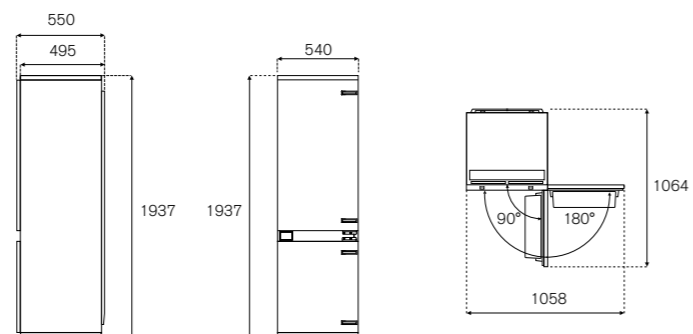
- total no frost cooling system
- flush installation
- reversible door hinges
- internal LED touch interface
- functions: super cool, super freeze, eco mode, vacation mode
- backlit LED panel
- 1 refrigerator drawer + 1 Fresco drawer with separated temperature control and adjustable humidity
- 3 freezer drawers
- 2 adjustable bins + 1 gallon-sized bin
- refrigerator capacity 170lt, freezer capacity 67lt, total 237lt



NEW

**REF604BBNPTC-S****60cm refrigerator H193, panel ready, sliding door****Features**

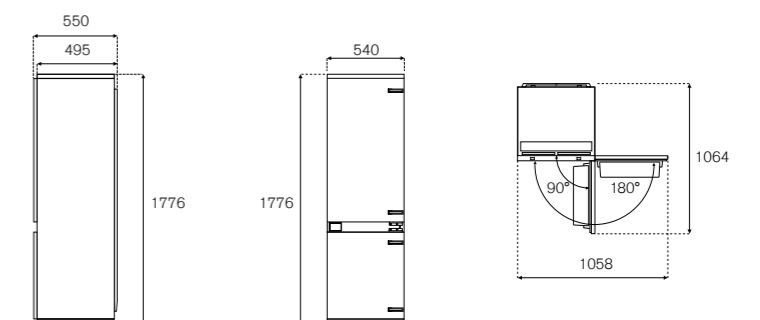
- total no frost cooling system
- flush installation
- reversible door hinges
- internal LED touch interface
- functions: super cool, super freeze, eco mode, vacation mode
- backlit LED panel
- 1 refrigerator drawer + 1 Fresco drawer with separated temperature control and adjustable humidity
- 3 freezer drawers
- 3 adjustable bins + 1 gallon-sized bin
- refrigerator capacity 200lt, freezer capacity 67lt, total 267lt



NEW

**REF603BBNPTC-S****60cm refrigerator H177, panel ready, sliding door****Features**

- total no frost cooling system
- flush installation
- reversible door hinges
- internal LED touch interface
- functions: super cool, super freeze, eco mode, vacation mode
- backlit LED panel
- 1 refrigerator drawer + 1 Fresco drawer with separated temperature control and adjustable humidity
- 3 freezer drawers
- 2 adjustable bins + 1 gallon-sized bin
- refrigerator capacity 170lt, freezer capacity 67lt, total 237lt



Freestanding bottom mount

NEW



RBM76F4FXNC

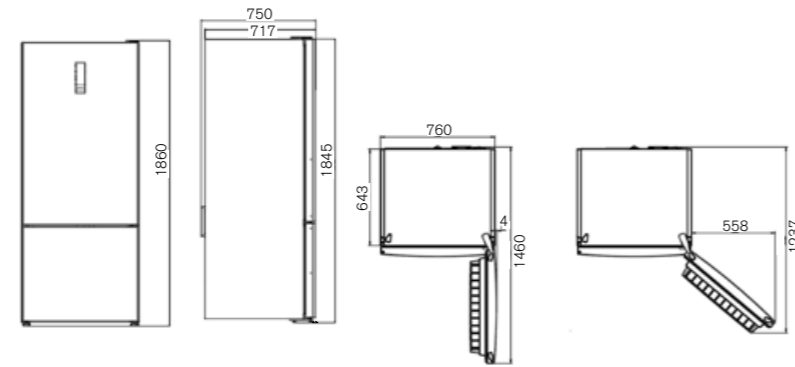
76cm freestanding bottom mount refrigerator, stainless steel

Features

- total no frost cooling systems
- internal LED touch interface
- functions: eco mode, super freeze
- LED lights on top and sides
- 1 refrigerator drawer with humidity control + 1 drawer with chiller function with FrescoZero drawer and humidity control
- 2 freezer drawers
- 4 refrigerator adjustable shelves + 1 stationary
- 3 adjustable bins + 1 gallon-sized bin
- refrigerator capacity 402lt, freezer capacity 131lt, total capacity 533lt

Optional Accessories

- 901597 Master handle kit
- 901598 Professional handle kit



NEW



RBM60F5FXNC

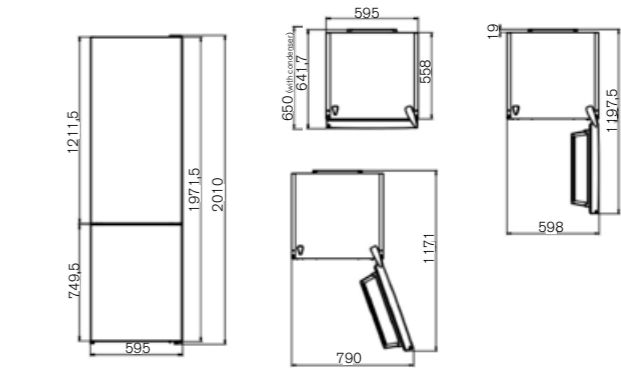
60cm freestanding bottom mount refrigerator, stainless steel

Features

- total no frost cooling systems
- internal LED touch interface
- functions: eco mode, super freeze
- LED lights on sides
- 1 refrigerator drawer with humidity control + 1 drawer with chiller function with FrescoZero drawer and humidity control
- 2 freezer drawers
- 4 refrigerator adjustable shelves + 1 stationary
- 3 adjustable bins + 1 gallon-sized bin
- refrigerator capacity 266lt, freezer capacity 101lt, total capacity 367lt

Optional Accessories

- 901597 Master handle kit
- 901598 Professional handle kit



NEW



RBM70F4FXNC

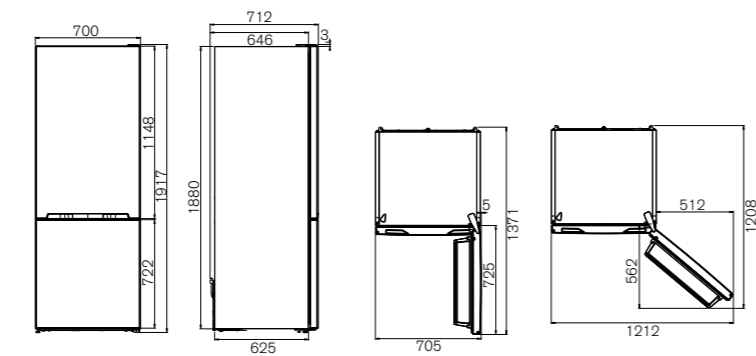
70cm freestanding bottom mount refrigerator, stainless steel

Features

- total no frost cooling systems
- internal LED touch interface
- functions: eco mode, super freeze
- LED lights on top and sides
- 1 refrigerator drawer with humidity control + 1 drawer with chiller function with FrescoZero drawer and humidity control
- 3 freezer drawers
- 4 refrigerator adjustable shelves + 1 stationary
- 3 adjustable bins + 1 gallon-sized bin
- refrigerator capacity 344lt, freezer capacity 137lt, total capacity 481lt

Optional Accessories

- 901597 Master handle kit
- 901598 Professional handle kit



NEW



RBM60F4FXNC

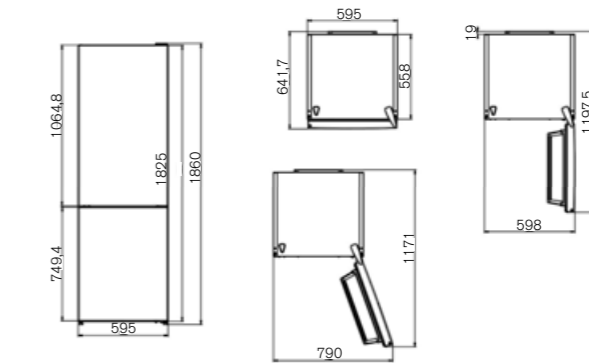
60cm freestanding bottom mount refrigerator, stainless steel

Features

- total no frost cooling systems
- internal LED touch interface
- functions: eco mode, super freeze
- LED lights on sides
- 1 refrigerator drawer with humidity control + 1 drawer with chiller function with FrescoZero drawer and humidity control
- 3 freezer drawers
- 3 refrigerator adjustable shelves + 1 stationary
- 3 adjustable bins + 1 gallon-sized bin
- refrigerator capacity 230lt, freezer capacity 101lt, total capacity 331lt

Optional Accessories

- 901597 Master handle kit
- 901598 Professional handle kit



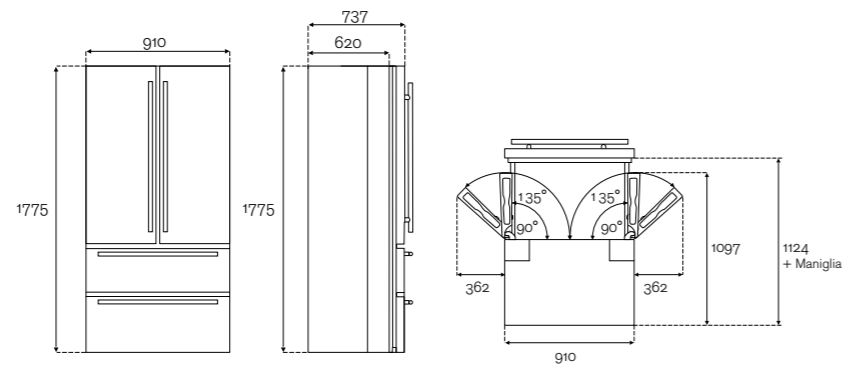
Freestanding Multi Door

**REF904FFNXTC****90cm French Door Refrigerator H177 freestanding****Features**

- total no frost cooling system
- stainless steel finishes
- LED touch user interface
- LED lights on top and sides
- Opening door alarm
- vegetable and fruits drawer
- 2 stationary and 4 height-adjustable shelves
- 2 large refrigerator drawers + 2 freezer drawers
- 2 stationary + 4 gallon-sized and height adjustable door storage compartment
- automatic ice maker
- refrigerator capacity 449lt, freezer capacity 187lt, total capacity 636lt

Optional Accessories

- 901248 Master handle kit
- 901249 Professional handle kit
- 901250 Heritage handle kit
- 901538 décor set-copper finish
- 901539 décor set-black nickel finish
- 901541 décor set-gold finish
- 901588 bottle holder



Built-in Multi Door

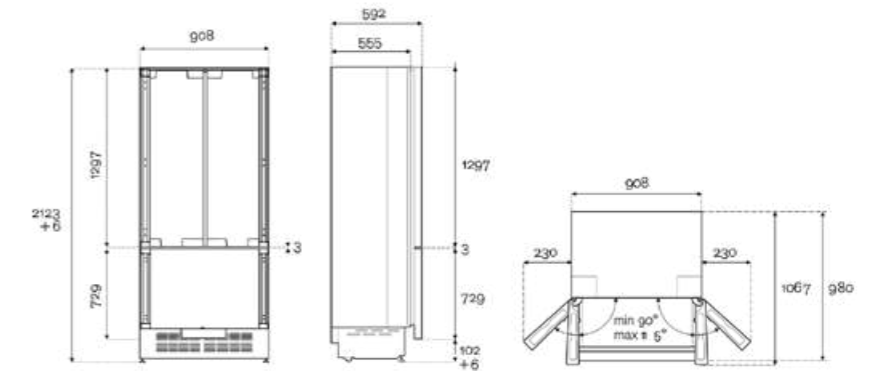
NEW

**RFD90S5FPNS****90cm built-in French door refrigerator H212, panel ready****Features**

- total no frost cooling system
- panel ready with optional stainless steel panel
- internal LED touch interface
- LED lights on top and sides
- 2 refrigerator drawers + 1 Fresco drawer with separated humidity control
- 2 cassetti freezer
- 2 adjustable refrigerator shelves + 1 stationary shelf
- 4 adjustable bins + 2 gallon-sized bins
- automatic ice maker - 1,8 kg/24h
- refrigerator capacity 389lt, freezer capacity 157lt, total 546lt

Optional Accessories

- 901462 Professional handle kit
- 901463 Master handle kit
- 901509 Heritage handle kit
- 901538 décor set-copper finish
- 901539 décor set-black nickel finish
- 901541 décor set-gold finish
- 901602 connection kit
- 901610 stainless steel panel kit
- Z370001 spare part water filter



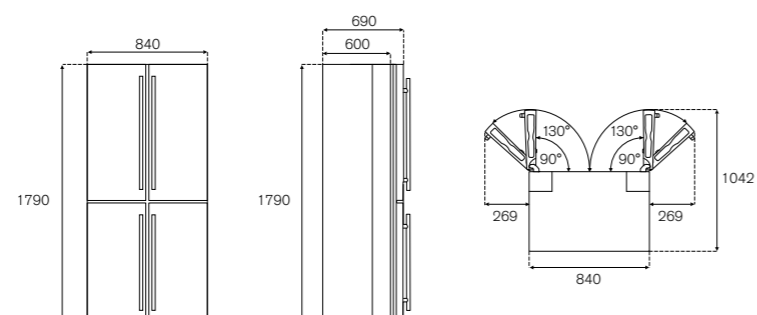
NEW

**RCD84F4FXNC****90cm Cross Door Refrigerator H179, freestanding****Features**

- total no frost cooling system
- stainless steel finishes
- internal LED touch user interface
- sides LED lights
- 4 height-adjustable shelves + 1 stationary, 1 sliding freezer shelf + 1 stationary freezer shelf
- 1 refrigerator drawer humidity control + 1 FrescoZero drawer with adjustable humidity
- 4 freezer drawers
- 6 gallon-sized door bins
- manual ice maker
- refrigerator capacity 321lt, freezer capacity 166lt, total capacity 487lt

Optional Accessories

- 901599 Master handle kit
- 901600 Professional handle kit



Dishwashers

Cooking great food can also create many dirty pots, pans and dishes. So Bertazzoni dishwashers are designed to make cleaning up more of a pleasure than a chore. Operated with a full touch control panel, our dishwashers are very simple to use. With seven or eight programmes, they are very efficient, so you don't waste water or energy. Wide baskets and a bright LED light make loading and unloading easier. And an easy to use timer lets you choose when to start the cleaning cycle. The door opens automatically when the programme ends, helping dishes dry faster (on selected models). To help create more space in your kitchen, the advanced undercounter model features the new Sliding Door System which allows for lower kickboards and taller front panels to create larger cupboard spaces.

In this section

- Fully integrated dishwashers
- Fully integrated sliding door dishwasher
- Fully integrated automatic open door dishwasher



Dishwashers

These versatile dishwashers offer a range of options to suit your needs.

The 60cm fully integrated models feature intuitive full touch control panel and wide baskets capacity that hold up to 14 place settings. Available model with Automatic door opening at end of cycle for faster drying times and model with Sliding Door System that allows for low plinths.

60cm
fully integrated
Automatic door opening



60cm
fully integrated
Sliding door system



60cm
fully integrated



Fully Integrated

It is easy to fit matching panels so these dishwashers fit seamlessly into your kitchen design.

Optimised Capacity

With space for up to 15 place settings, wide baskets offer complete separation of pans, crockery and cutlery.

Incredibly Silent

These are the quietest dishwashers in their class, with library-quiet sound levels from 40dbA to 42 dbA.

Intuitive User Interface

Intuitive, easy-to-use full touch interface with bright LED display to show chosen program.

Energy Saving

A++ or A+++ energy rating with a choice of 7 or 8 programmes to avoid wasting water and reduce energy consumption.

Dishwashers

Sliding door system

Available on selected models, this smart installation method works perfectly with any kitchen design. Accommodates decorative panels of any thickness, height and width and allows plinth height as low as 20mm.



Water and energy saving

Choose from 7 or 8 programs (depending on the model) for the fastest or the most efficient washing cycles that reduce water wastage and cut energy consumption. These machines feature best-in class energy ratings from A++ to A+++.

Automatic door opening

At the end of the washing cycle, the door opens automatically to speed up drying. Available on selected models.

Effective yet remarkably silent

With 3 wide baskets ensure excellent results every time by separating dishes pots and cutlery. As well as being very efficient, these are also the quietest dishwashers in their class with library-quiet ratings of 40 dBA, 42dBA.



Easy to use

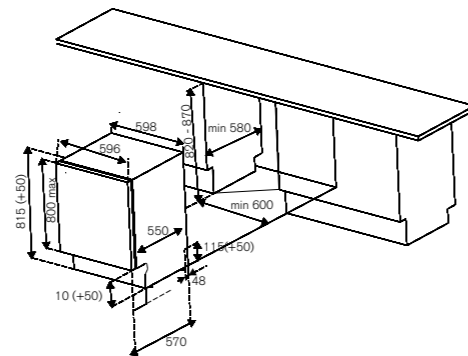
Intuitive and easy to use with full touch interface. Simple on/off button with bright LED display to show chosen program. An internal LED light makes gives a clear view of all levels when you are loading or unloading the machine. An external light shows when the washing cycle is complete.*

*Selected models only

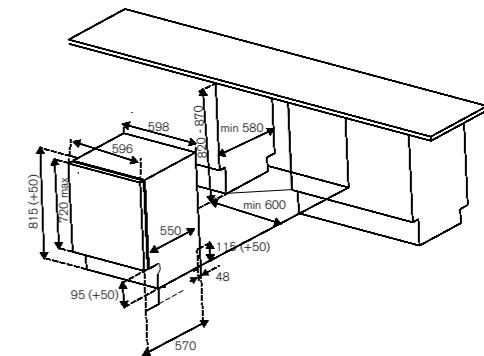
Dishwasher

**DW6083PRTS****60cm fully integrated dishwasher, sliding door****Features**

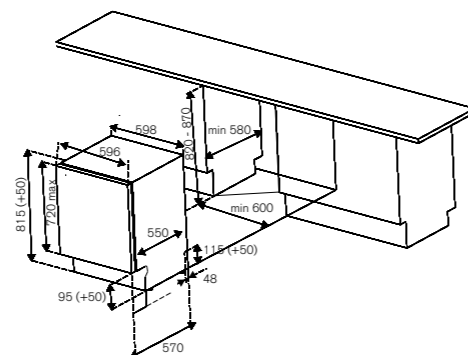
- built-in sliding door installation for custom cabinet door
- electronic controls with LED touch interface
- 15 place settings
- 8 washing programs (intensive, normal, eco, glass, 90min, rapid, auto)
- 4 washing special functions (extra drying, extra hygiene, express, energy save)
- 3 baskets
- upper, lower and top spray arms
- LED interior light
- outdoor illumination
- sound insulation 42dbA
- kitchen cabinet installation up to 2cm from the floor

**DW6083PRV****60cm fully integrated dishwasher****Features**

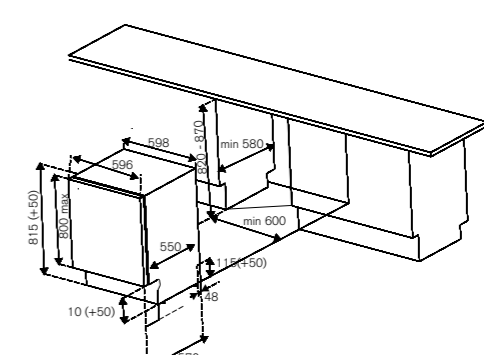
- built-in standard installation for custom cabinet door
- electronic touch controls
- 14 place settings
- 8 washing programs ((intensive, normal, eco, glass, 90min, rapid, auto)
- 4 washing special functions (extra drying, extra hygiene, express, energy save)
- 3 baskets
- upper, lower and top spray arms
- outdoor illumination
- sound insulation 42dbA

**DW6083PRT****60cm fully integrated dishwasher, automatic open door****Features**

- built-in standard installation for custom cabinet door
- electronic controls with LED touch interface
- 15 place settings
- 8 washing programs (normal, eco, glass, 90min, auto, hygiene, party wash, self cleaning)
- 4 washing special functions (extra drying, extra hygiene, express, energy save)
- 3 baskets
- upper, lower and top spray arms
- LED interior light
- outdoor illumination
- sound insulation 38dbA

**DW60EPRS****60cm fully integrated dishwasher, sliding door****Features**

- built-in sliding door installation for custom cabinet door
- electromechanical controls
- 13 place settings
- 4 washing programs
- 2 washing special functions
- 2 baskets, 3 spray arms
- sound insulation 49dba



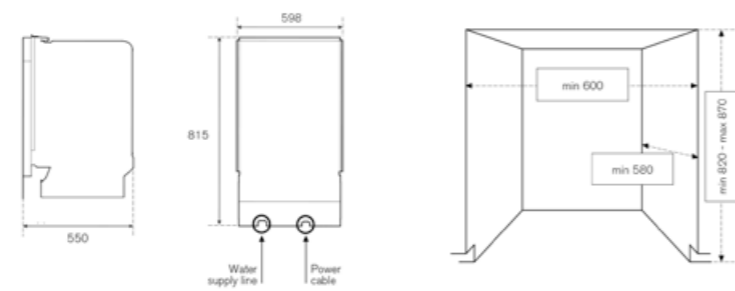


DW60EPR/21

60cm built-in dishwasher, panel ready

Features

- built-in sliding door installation for custom cabinet door
- standard tub
- LED display interface
- 12 place settings
- 4 programs (daily quick, eco, intense, quick 30')
- 2 wash options (delay start, half load)
- 3 baskets
- heated drying system
- 3 spray arms
- water softener
- sound insulation 49dbA

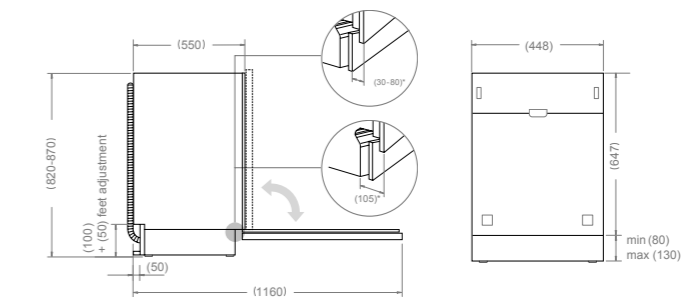


DW45S3IEPDC

45cm built-in dishwasher, panel ready

Features

- slot-under dishwasher with stainless panel and bar handle
- standard tub
- LED display interface
- 10 place settings
- 6 washing programs
- 5 washing options
- 3 racks
- 3 spray arms
- powerdry system
- 1 LED light
- sound insulation 45DbA



* including a (20) thick custom panel

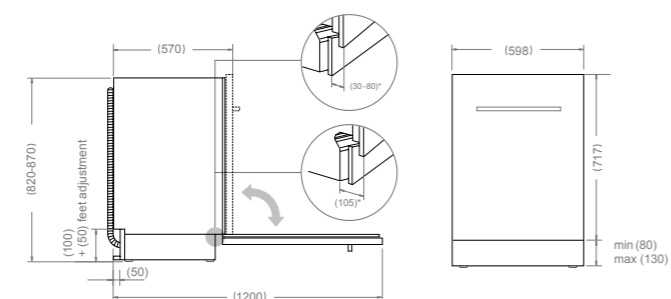


DW60S3UDXDP

60cm slot under dishwasher, stainless steel

Features

- slot-under dishwasher with stainless panel and bar handle
- standard tub
- LED display interface
- 15 place settings
- 8 washing programs
- 7 washing options
- 3 racks
- automatic open door
- 3 spray arms
- water softener
- 1 LED light
- sound insulation 41dbA



* including the door

Accessories

A wide range of optional accessories is available to enhance the already rich standard equipment or to customize the installation of your appliance.

You can choose between different types and sizes of accessories for cooking, ventilation, cooling and dishwashers, made in different sizes and designed to coordinate perfectly with the style of your home.



Accessories

COOKING ACCESSORIES



901483
120cm toe-kick for cookers
Professional, Master and
Heritage Seris

901482
100cm toe-kick for cookers
Professional, Master and
Heritage Seris

901356
100cm toe-kick for cookers
Professional Serie carbonio
finishes

901481
90cm toe-kick for cookers
Professional and
Master Series



RK91PRORR1X
H91 recirculation kit and toe-kick
stainless steel

RK91PRORR1CA
H91 recirculation kit and toe-kick
carbonio

RK94PRORR1X
H94 recirculation kit and toe-kick
stainless steel

RK94PRORR1CA
H94 recirculation kit and toe-kick
carbonio



901355
90cm toe-kick for cookers
Professional Serie
carbonio finishes

901389
60cm toe-kick for cookers
Professional and
Master Series



901272
Porcelain tray for range cookers
with 114 L oven cavity

901273
Glass tray for range cookers
with 114 L oven cavity

901309
Stainless steel griddle
for range cookers all series and all
range tops and db, qb hobs

PEN06
Cast iron griddle plate for all
range cookers, range tops and
hobs with gas burners



TK120MAS
120cm toe-kick for cookers
Master Series

TK100MAS
100cm toe-kick for cookers
Master Series

TK90MAS
90cm toe-kick for cookers
Master Series

TK60MAS
60cm toe-kick for cookers
Master Series4



901438
Simmer ring

901439
Wok adaptor

901490
Telescopic glide shelves for
60cm built-in oven

901511
Telescopic glide shelf support all
electric cavities



901606
Filtering kit plinth-out

901607
Filtering kit plinth-in

FLRR1LL
Kit charcoal filter long lasting

901523
Kit 2 charcoal filter for model
P904IBH2M30NT



901368
120 backsplash
Dimensions W 1195 – H 690 mm

901367
100 backsplash
Dimensions W 995 – H 690 mm

901348
90 backsplash
Dimensions W 895 – H 690 mm

901347
60 backsplash
Dimensions W 595 - H 690 mm



901526
Kitchen plinth grill kit model
P904IBH2M30NT

901527
Right exit fitting kit model
P904IBH2M30NT

901528
Plus filter kit model
P904IBH2M30NT

901529
Plus filters model
P904IBH2M30NT



901592
Décor Set - Gold
for cookers and hoods

901593
Décor Set - Copper
for cookers and hoods

901594
Décor Set - Black Nickel
for cookers and hoods

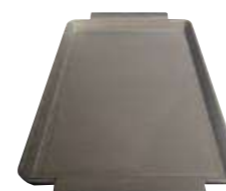


901456
legs kit H100-135mm

901332
30 cm cavity catalytic
liners

901513
60 cm cavity set catalytic
liners

901514
90 cm cavity set catalytic
liners



GR11SI
Cast iron griddle for
induction cookers

VENTILATION ACCESSORIES

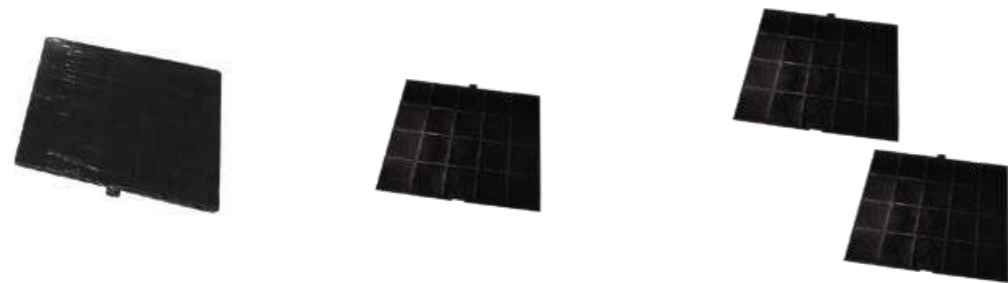


901263
Medium duct cover
for ku hoods

901262
narrow duct cover
for ku hoods

901281
narrow duct cover short
for ku hoods

901264
Y adaptor for KU hoods
2 motors



901395
for CON models kit carbon filter

901497
kit carbon filter for hoods
model KT/KTI

901500
kit carbon filter for hood
model KC90PRO1XA



901498
Kit carbon filter for hood model
KV90PRO1NA

901499
Kit carbon filter for hood
models KV90MOD1NA/KIN/KR/KUD

901394
for PRO/AM/HER models kit
carbon filter

REFRIGERATION ACCESSORIES



901469
Installation kit side by side
built-in refrigerators

901470
Installation kit side by side
built-in refrigerators
stainless steel

901467
Handle kit built-in refrigerators
75cm
Professional series



901466
Handle kit built-in refrigerators
75cm
Master series

901510
Handle kit built-in refrigerators
75cm
Heritage series

901463
Handle kit built-in refrigerators
90cm
Master series



901509
Handle kit built-in refrigerators
90cm
Heritage series

901462
Handle kit built-in refrigerators
90cm
Professional series

901602
Connection kit for model
RBM90S5FPNS - RBM75S5FPNS



901249
Handle kit French Door refrigerators
90cm
Professional series

901248
Handle kit French Door refrigerators
90cm
Master series

901250
Handle kit French Door refrigerators
90cm
Heritage series



901556
Handle kit Columns
Master Serie



901557
Handle kit Columns
Professional Serie



901558
Handle kit Columns
Heritage Serie



901597
Kit lateral handles
Master Series



901598
Kit lateral handles
Professional Series



901599
Kit frontal handles
Master Cross door Series



901600
Kit frontal handles
Professional Cross door Series



901541
Décor Set Gold finishes
for Refrigerators and Dishwashers



901538
Décor Set Copper finishes
for Refrigerators and Dishwashers



901539
Décor Set Black nickel finishes
for Refrigerators and
Dishwashers



901588
Bottle holder for 90cm
French Door



901609
Stainless steel panel kit
RBM90S5FPNS



901605
Stainless steel panel kit
RBM75S5FPNS



901610
Stainless steel panel kit
RFD90S5FPNS

Photography:
Giuseppe Brancato,
Julian Anderson,
Alessandro Zoboli,
Dik Nicolai,
Peter Wood,
Phil Sayer

Concept:
vandersandestudio

Design:
Pentagram

Printed in Italy
©Bertazzoni SpA 2023

Warranty

All Bertazzoni appliances are guaranteed for two years. Please note that all warranties relate to domestic installations only and not commercial.

Disclaimer

While every effort has been made to ensure the accuracy of the information contained in this brochure, Fratelli Bertazzoni reserves the right to change any part of the information at any time without notice.

Fratelli Bertazzoni, Bertazzoni and the winged wheel brand icon are registered trademarks of Bertazzoni SpA.

